



SINGLE PHASE GLASS PASSIVATED BRIDGE RECTIFIER

RS201 - RS207
KBP005 - KBP10

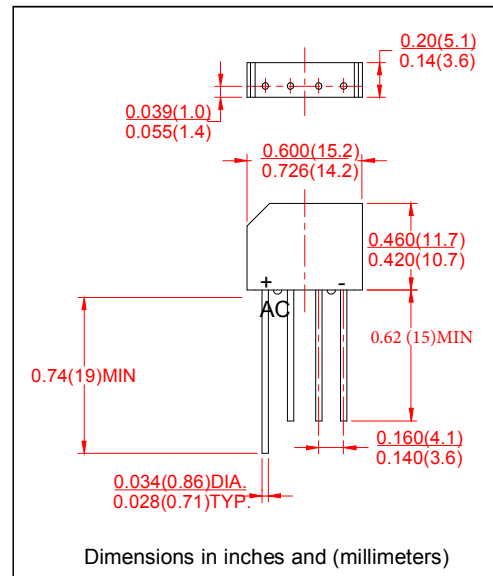
Voltage Range - 50 to 1000 V
Current - 2 A

FEATURES

- Glass Passivated Chip Junction
- This series in UL recognized
- High forward surge current capacity
- Ideal for printed circuit board
- High temperature soldering guaranteed: 260°C / 10 seconds, 0.375”(9.5mm) lead length at 5 lbs. (2.3kg) tension.

MECHANICAL DATA

- Case: Transfer molded plastic
- Terminal: Lead solderable per MIL-STD-202E method 208C
- Polarity: Polarity symbols marked on case
- Mounting position: Any.
- Weight: 0.069 ounce, 1.95gram



MAXIMUM RATINGS AND ELECTRICAL CHARACTERISTICS

Ratings at 25 °C ambient temperature unless otherwise specified Single Phase, half wave, 60Hz, resistive or inductive load For capacitive load derate current by 20%

	SYMBOLS	RS201 KBP005	RS202 KBP01	RS203 KBP02	RS204 KBP04	RS205 KBP06	RS206 KBP08	RS207 KBP10	UNIT
Maximum Repetitive Peak Reverse Voltage	V_{RRM}	50	100	200	400	600	800	1000	Volts
Maximum RMS Voltage	V_{RMS}	35	70	140	280	420	560	700	Volts
Maximum DC Blocking Voltage	V_{DC}	50	100	200	400	600	800	1000	Volts
Maximum Average Forward Rectified Output Current, at $T_A=50^\circ\text{C}$ (Note2)	$I_{(AV)}$	2.0							Amps
Peak Forward Surge Current 8.3ms single half sine wave superimposed on rated load (JEDEC method)	I_{FSM}	60							Amps
Rating for Fusing ($t<8.3\text{ms}$)	I^2t	10							A^2s
Maximum Instantaneous Forward Voltage Drop per Bridge element at 1.0 A	V_F	1.0							Volts
Maximum DC Reverse Current $T_A = 25^\circ\text{C}$ at Rated	I_R	5							μA
DC Blocking Voltage per element $T_A = 100^\circ\text{C}$		0.5							mA
Typical Junction Resistance per element(Note1)	C_j	20							$^\circ\text{C}/\text{W}$
Typical Thermal Resistance per element (Note2)	$R_{\theta JA}$	28							$^\circ\text{C}/\text{W}$
Operating and Storage Temperature Rang	$T_{STG} \cdot T_J$	-55 to +150							$^\circ\text{C}$

Notes:

1. Measured at 1.0 MHz and applied reverse voltage of 4.0 Volts.
2. Unit mounted on P.C.board with 0.47”x0.47”(12x12cm) copper pads.0.375”(9.5mm) lead length.



SINGLE PHASE GLASS PASSIVATED BRIDGE RECTIFIER

RS201 - RS207
KBP005 - KBP10

Voltage Range - 50 to 1000 V
Current - 2 A

RATING AND CHARACTERISTIC CURVES RS201 - RS207

FIG.1-DERATING CURVE FOR
OUTPUT RECTIFIED CURRENT

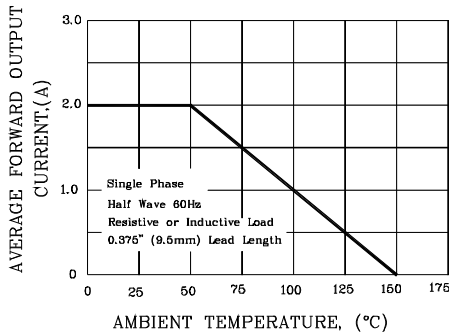


FIG.2-MAXIMUM NON-REPETITIVE PEAK
FORWARD SURGE CURRENT PER ELEMENT

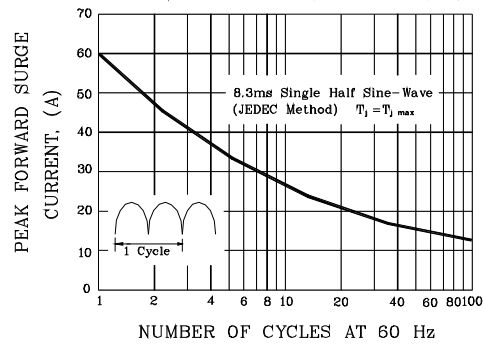


FIG.3-TYPICAL FORWARD CHARACTERISTICS
PER BRIDGE ELEMENT

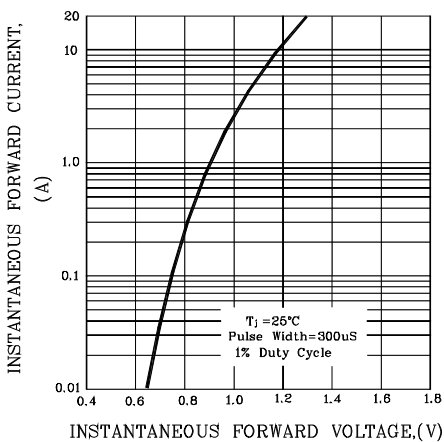


FIG.4-TYPICAL REVERSE CHARACTERISTICS
PER BRIDGE ELEMENT

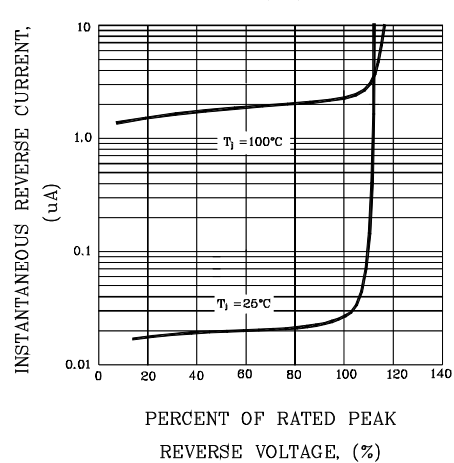


FIG.5-TYPICAL JUNCTION CAPACITANCE
PER BRIDGE ELEMENT

