

Data sheet

Commercial Art.No.: 25.390.3353.0

PCB pin header 8413 S / 3 G OB

PCB pin header with pin header, connection method depends on used socket part , 3 poles, pitch: 7.62 mm, type of packing: carton, color: grey



Commercial Art.No.	25.390.3353.0
EAN	4015573199569
Order Unit	100

Certificates / Approvals



Technical data

General

Modular spacing	7.62 mm
Soldering process	Wave soldering
Packaging	Carton
Number of poles	3
Number of levels	1
Marking	No
Fastening	None
Mating direction towards (circuit) board	90°

Technical data

Rated current	12 A
Overvoltage Category I	1000 V
Overvoltage Category II	400 V
Overvoltage Category III	250 V
Rated impulse voltage	4 kV

Technical Data UL/CSA

Voltage UL	300 V
Current field wiring	15 A
Current factory wiring	15 A
Voltage CSA	300 V
Current CSA	15 A

Other

Type of insulation material	Thermoplastic
Color	Grey

Height	12 mm
Length	22.14 mm
Depth	8.4 mm
Material contact base	CuZn
Material contact surface	Sn

Classification

ECLASS 8.1	27440402
ETIM 7.0	EC002637
ETIM 6.0	EC002637
ETIM 5.0	EC002637
ETIM 4.0	EC002637

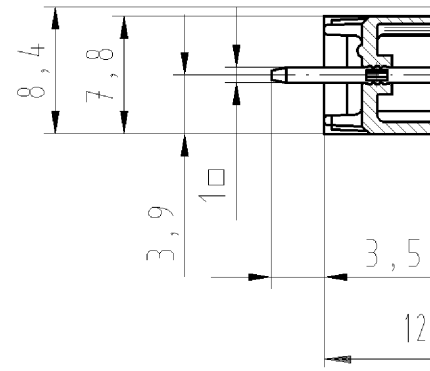
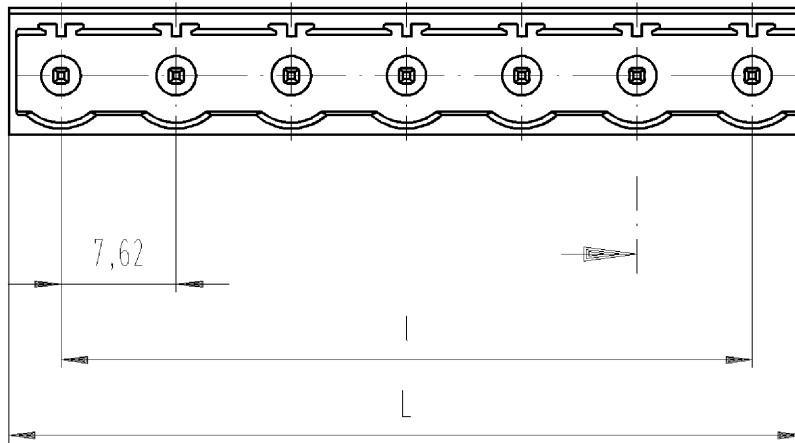
Product compliance

ROHS conformity status	Compliant
REACH-SVHC conformity status	Compliant

Fits with

Commercial Art.No.:	Article-type description:	Description:
25.380.3353.0	PCB connector 8413 B / 3 OB	PCB female connector with screw connection with rising cage clamp system, 3 poles, max. cross section: 2.5 mm ² , pitch: 7.62 mm, type of packing: carton, color: grey
25.380.0353.0	PCB connector 8413 B / 3	PCB female connector with screw connection with rising cage clamp system, 3 poles, printed version, max. cross section: 2.5 mm ² , pitch: 7.62 mm, type of packing: carton, color: grey
25.385.2353.0	PCB connector 8413 B / 3 VR OB	PCB female connector with screw connection with rising cage clamp system, 3 poles, max. cross section: 2.5 mm ² , pitch: 7.62 mm, type of packing: carton, color: grey
25.385.0353.0	PCB connector 8413 B / 3 VR	PCB female connector with screw connection with rising cage clamp system, 3 poles, printed version, max. cross section: 2.5 mm ² , pitch: 7.62 mm, type of packing: carton, color: grey
25.386.2353.0	PCB connector 8413 B / 3 VL OB	PCB female connector with screw connection with rising cage clamp system, 3 poles, max. cross section: 2.5 mm ² , pitch: 7.62 mm, type of packing: carton, color: grey
25.386.0353.0	PCB connector 8413 B / 3 VL	PCB female connector with screw connection with rising cage clamp system, 3 poles, printed version, max. cross section: 2.5 mm ² , pitch: 7.62 mm, type of packing: carton, color: grey
25.880.3353.0	PCB connector 8413 BFK / 3 TOP OB	PCB female connector with tension spring connection, 3 poles, max. cross section: 2.5 mm ² , pitch: 7.62 mm, type of packing: carton, color: grey
25.880.0353.0	PCB connector 8413 BFK / 3 TOP K	PCB female connector with tension spring connection, 3 poles, printed version, max. cross section: 2.5 mm ² , pitch: 7.62 mm, type of packing: carton, color: grey

These dimensions will be especially checked at delivery
 Only inspection dimensions
 With /E marked dimensions are only valid for internal use



Weitergabe sowie Vervielfältigung dieses Dokuments, Verwertung und Mitteilung seines Inhalts sind verboten, soweit nicht ausdrücklich gestattet. Die Reproduktion, Distribution und Kommunikation dieses Dokuments ohne schriftliche Genehmigung ist untersagt. Without express authorization is prohibited.

Diese Maße werden bei Abnahme besonders geprüft
 Ausschließlich Prüfmaße
 Mit /E gekennzeichnete Maße sind nur für interne Zwecke gültig

gezeichnete Ausführung: 7-polig
drawn execution: 7-poles

Weitere Daten siehe Katalog
 further data see catalog

Artikel-Nr. part number	Pol- zahl pole	L	l	Typ/type
25.390.3253	2	14,52	7,62	8413 S / 2 OB
3353	3	22,14	15,24	8413 S / 3 OB
3453	4	29,76	22,86	8413 S / 4 OB
3553	5	37,38	30,48	8413 S / 5 OB
3653	6	45,00	38,10	8413 S / 6 OB
3753	7	52,62	45,72	8413 S / 7 OB
3853	8	60,24	53,34	8413 S / 8 OB
3953	9	67,86	60,96	8413 S / 9 OB
4053	10	75,48	68,58	8413 S / 10 OB
4153	11	83,10	76,20	8413 S / 11 OB
4253	12	90,72	83,82	8413 S / 12 OB

Farbe/colour	.F
grau/grey	.0
schwarz/black	.1
grün/green	.7

Tolerierung nach DIN 7167/Tolerance system acc. to DIN 7167.
 (This DIN-standard describes the envelope principle. According to the envelope principle the deviations of form and parallelism are limited by the size tolerances).

ja/yes Stoffverbots- und Deklarationsliste nach UU-TQM-05/03 ist einzuhalten.
 Conformity with Wieland document UU-TQM-05/03 (list of prohibited / declarable hazardous substances) to be declared!

Freitoleranz nach General tolerance

CAD - Zeichnung, keine manuellen Änderungen
 CAD - drawing, no manual modifications allowed

1.Verwendung: -
 First Use:

Blatt: 1 von 1
 Sheet: 1 of 1

/		Werkstoff/Material		2008	Tag/Date	Name	Zeichnung Nr./Drawing No.		Index	
/		Maßstab/Scale		gezeichnet drawn	16.10.	Schmitt J.	25.390.3253.0 01K			
/ 2:1				geprüft checked	-	-	Maße in mm/Dimensions are in mm			
/ Vol. mm³		Ofl./Surf. mm²		Normgepr. Stand. check	-	-	Ersatz für/Replacement for: -			
/		wieland		Type	Benennung/Title					
/		Elektrische Verbindungen		8413 S /	LP_STIFTLISTE					
Index		Datum / Blatt Date / Sheet		..G OB		Rastermaß/pitch 7,62 PCB header				
Änderung/Revision										

253903253001K_4 CADW1042 Schmitt 2008-10-16T08:43:26 1.000