



Document Name	Document No.	Ver	Date	Page
LP61100100 Specification	ZJQM-RD-SPC-2571	0.0	2014-07-10	1/6

EEMB CO., LTD

Polymer Li-ion Battery

Specification

Model: LP61100100

Capacity: 6800mAh

Prepared	Checked	Approved
Mike Cai	Tina Cheng	Alex Lee

Customer:

Customer Approval (Customer confirmation) :

Signature	Checked	Approved

Address: Room ABCD,25/F, Block A, Fortune Plaza, NO.7060 Shennan Road Shenzhen, China

Postal code: 518040

Phone: 0086-755-83022275

FAX: 0086-755-83021966

<http://www.eemb.com>

Document Name	Document No.	Ver	Date	Page
LP61100100 Specification	ZJQM-RD-SPC-2571	0.0	2014-07-10	2/6

Catalog

Chapter	Content	Page
0	Catalog.....	2
1	Scope.....	3
2	Product Basic Characteristics.....	3
2.1	Model.....	3
2.2	Capacity.....	3
2.3	Nominal Voltage.....	3
2.4	Weight.....	3
2.5	Internal Impedance.....	3
2.6	Dimension.....	3
2.7	Charge.....	3
2.8	Discharge.....	3
2.9	Operation Temperature.....	3
2.10	Storage Temperature.....	3
2.11	Storage Relative Humidity.....	3
3	Shape and Dimensions.....	3
4	Appearance.....	3
5	Specification.....	4
5.1	Electrical Characteristics.....	4
5.1.1	1C ₅ A rate discharge capacity.....	4
5.1.2	High temp. discharge capacity.....	4
5.1.3	Low temp. discharge capacity.....	4
5.1.4	Cycle Life.....	4
5.1.5	Capacity Retention.....	4
5.2	Acclimatization Characteristics.....	4
5.2.1	High Temp. and High Humidity	4
5.2.2	Vibration	4
5.2.3	Drop.....	4
5.3	Safety Characteristics.....	5
5.3.1	Overcharge.....	5
5.3.2	Short-Circuit.....	5
5.3.3	Heating.....	5
6	Matters needing attention.....	5-6

Document Name	Document No.	Ver	Date	Page
LP61100100 Specification	ZJQM-RD-SPC-2571	0.0	2014-07-10	3/6

1. Scope

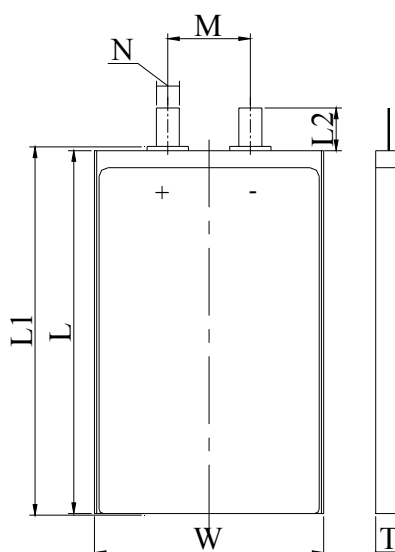
This product specification defines the requirements of the rechargeable polymer lithium-ion battery supplied to the customer by EEMB Co., Ltd.

2. Product Basic Characteristics

No.	Item	Characteristics	Remark	
2.1	Model	LP61100100		
2.2	Capacity	Nominal Capacity	6800 mAh	0.2C ₅ A
		Minimum	6400 mAh	0.2C ₅ A
2.3	Nominal Voltage	3.7 V		
2.4	Weight	Approx.136 g		
2.5	Internal Impedance	≤ 100 mΩ	AC 1KHz(50%charge)	
2.6	Dimension	Length	≤ 101 mm	
		Width	≤ 100.5 mm	
		Thickness	≤ 6.4 mm	
2.7	Charge	Maximum Current	6800 mA	1C ₅ A (CC&CV)
		Limited Voltage	4.200±0.020 V	
		End-of Current	136 mA	
2.8	Discharge	Maximum Current	13600 mA	2.0C ₅ A
		End Voltage	2.750±0.005 V	
2.9	Operation Temperature	Charge	0 ~ 45 °C	
		Discharge	-20 ~ +60 °C	
2.10	Storage Temperature	1 month	-20 ~ +60 °C	
		3 month	-20 ~ +45 °C	
		12 month	-20 ~ +25 °C	
2.11	Storage Relative Humidity	65±20 %		

3. Shape and Dimensions (Unit: mm)

Item	Specification
T	Max6.4
W	Max100.5
L	Max101
L1	Max102
L2	10.0±1
M	30.0±1
N	8.0±0.5



4. Appearance

It shall be free from any defects such as remarkable scratches, breaks, cracks, discoloration, leakage, or middle deformation

5. Specification

5.1 Electrical Characteristics

No.	Item	Criteria	Test Instructions
5.1.1	1C ₅ A rate discharge capacity	Discharge Time \geq 57min	Full charge at 20 \pm 5 $^{\circ}$ C, rest for an hour, then discharge at the same temperature with 1.0C ₅ A to 2.75V
5.1.2	High temp. discharge capacity	Discharge Time \geq 54min	Full charge at 20 \pm 5 $^{\circ}$ C, store at 55 \pm 2 $^{\circ}$ C for 2h, then discharge at the same temperature with 1.0C ₅ A to 2.75 V
5.1.3	Low temp. discharge capacity	Discharge Time \geq 3.0h	Full charge at 20 \pm 5 $^{\circ}$ C, store at -10 $^{\circ}$ C \pm 2 $^{\circ}$ C for 16h~24h, then discharge at the same temperature with 0.2C ₅ A to 2.75V
5.1.4	Cycle Life	\geq 500 Cycles (0.5C ₅ A) \geq 800 Cycles (0.2C ₅ A)	After full charge, rest for 10 min, then discharge at constant current to 2.75V, rest for 10 minutes. Repeat above steps until the two consecutive cycles of discharge time is less than the regulated time. (500 cycles \geq 96min, 800 cycles \geq 240min)
5.1.5	Capacity Retention	Discharge Time \geq 4.5 h	After fully charged, store the battery at 20 \pm 5 $^{\circ}$ C for 28 days. Then discharge it with 0.2C ₅ A to 2.75V and record the discharging time.

5.2 Acclimatization Characteristics

No.	Item	Criteria	Test Instructions
5.2.1	High Temp. and High Humidity	No deformation, no rust, no fire or explosion; Discharge time \geq 36min	After full charge, store at 40 $^{\circ}$ C \pm 2 $^{\circ}$ C (90%~95%RH) for 48h. After test, place at 20 $^{\circ}$ C \pm 5 $^{\circ}$ C for 2h and then discharge with 1C ₅ A to 2.75 V
5.2.2	Vibration	No damnification, leakage, no fire or explosion; Battery Voltage \geq 3.6V	Batteries are vibrated 30 min in three mutually perpendicular directions with amplitude of 0.38mm (10~30Hz) or 0.19mm (30~55Hz) and the scanning rate of 1oct per min
5.2.3	Drop	No leakage, no fire or explosion; Discharge Time \geq 51 Min	Batteries are dropped onto a hard board with the thickness of 18~20mm from at least 1meter height. Drop the batteries from six different directions and discharge them at 1C ₅ A to 2.75V.

Document Name	Document No.	Ver	Date	Page
LP61100100 Specification	ZJQM-RD-SPC-2571	0.0	2014-07-10	5/6

5.3 Safety Characteristics

No.	Item	Criteria	Test Instructions
5.3.1	Overcharge	No fire or explosion	Put the batteries with thermocouple into the ventilation cabinet. Connect the polarities to constant voltage and adjust the current to 3CA, voltage to 4.8V. Charged the cells at 3C ₅ A current 20±5°C with a voltage limit of 4.8V and Current approach 0 A.
5.3.2	Short-Circuit	No fire or explosion; The maximum Temperature: 150°C	Batteries are short-circuited by connecting the positive and negative terminals for 1h with a resistance load of 0.1 Ω. Test the temperature of the batteries until it drops to 10°C.
5.3.3	Heating	No fire or explosion	Cell is heated in a circulating air oven at a rate of (5±2) °C per minute to 130°C, and then placed for 30 minutes at 130°C

Note: Unless otherwise specified, all tests stated in this specification are conducted at the following conditions: Temp. : 20±5°C; Relative Humidity: 25%~85%.

6. Notes

Strictly observes the following notes. EEMB are not responsible for any accident due to the handling disagreed with this instruction.

! Danger

- Strictly prohibits heat or throw cell into fire.
- Strictly prohibits throw and wet cell in liquid such as water、 gasoline or drink etc.
- Strictly prohibits use or leave cell close to fire or inside of a car with temperature above 60°C. Also do not charge / discharge in such conditions.
- Strictly prohibits put batteries in your pockets or bags together with metal objects such as necklaces, hairpins, coins, or screws. Do not store or transport batteries with the above objects.
- Strictly prohibits short circuit the (+) and (-) terminals with metals.
- Do not place Cell in a device with the (+) and (-) in reverse.
- Strictly prohibits pierce Cell with sharp objects such as a needle.
- Strictly prohibits disassemble the cell.
- Strictly prohibits welding a cell directly.
- Do not use a Cell with serious scar or deformation.
- Please read the user's manual thoroughly before usage, inaccurate handling of lithium ion rechargeable cell may cause leakage, heat, smoke, an explosion, or fire, capacity decreasing.

! Warning

- Strictly prohibits put cell into a microware oven, dryer, or high-pressure container.
- Strictly prohibits use cell with dry cells and other primary batteries, or new and old battery or batteries of a different package, type, or brand.
- Stop charging the Cell if charging is not completed within the specified time.
- Stop using the Cell if abnormal heat, odor, discoloration, deformation or abnormal condition is detected during use, charge, or storage.

Document Name	Document No.	Ver	Date	Page
LP61100100 Specification	ZJQM-RD-SPC-2571	0.0	2014-07-10	6/6

- Keep away from fire immediately when leakage or foul odor is detected.
- If liquid leaks onto your skin or clothes, wash well with fresh water immediately.
- If liquid leaking from the Cell gets into your eyes, do not rub your eyes. Wash them well with clean edible oil and go to see a doctor immediately.

! Caution

- Before using the Cell, be sure to read the user's manual and cautions on handling thoroughly.
- Charging with specific charger according to product specification. Charge with CC/CV method. Strictly prohibits reversed charging. Connect cell reverse will not charge the cel. At the same time, it will reduce the charge-discharge characteristics and safety characteristics, this will lead to product heat and leakage.
- Store batteries out of reach of children so that they are not accidentally swallowed.
- If younger children use the Cell, their guardians should explain the proper handling.
- Before using the Cell, be sure to read the user's manual and cautions on handling thoroughly.
- Batteries have life cycles. If the time that the Cell powers equipment becomes much shorter than usual, the Cell life is at an end. Replace the Cell with a new same one.
- When not using Cell for an extended period, remove it from the equipment and store in a place with low humidity and low temperature.
- While the Cell pack is charged, used and stored, keep it away from objects or materials with static electric charges.
- If the terminals of the Cell become dirty, wipe with a dry clothe before using the Cell.
- Storage the cells in storage temperature range as the specifications, After full discharged, we suggest that charging to 3.7~4.0V with no using for a long time.
- Do not exceed these ranges of the following temperature ranges:
 - Charge temperature range : 0°C to 45°C;
 - Discharge temperature range : -20°C to 60°C.
 - Store less than 1 month : -20°C - +60°C
 - Store less than 3 months : -20°C - +45°C
 - Store less than 1 year : -20°C - +25°C

! Special Notice

Keep the cells in **50% charged state** during long period storage. We recommend to charge the battery up to 50% of the total capacity every 3 months after receipt of the battery and maintain the voltage 3.7~4.1V. And store the battery in cool and dry place.