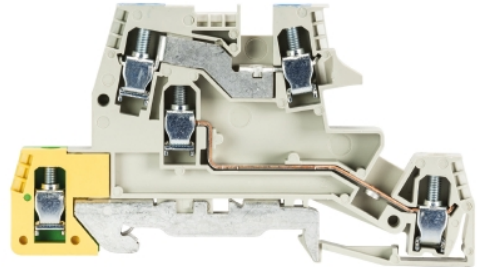


Data sheet

Commercial Art.No.: 56.404.9455.0

Installation terminal WKI 4 N-D-SL /V0

Installation rail terminal blocks with Screw connection for mounting on TS 35, nominal cross section: 4 mm², width: 6 mm



| | |
|--------------------|---------------|
| Commercial Art.No. | 56.404.9455.0 |
| EAN | 4015573501188 |
| Order Unit | 50 |

Certificates / Approvals



Technical data

General

| | |
|--|-----------------------------------|
| Nominal cross section | 4 mm ² |
| Basic color | Grey |
| Number of levels | 3 |
| Number of clamp positions per level | 2 |
| Width/grid dimension | 6 mm |
| Insulating housing | PA666 |
| Inflammability class of insulation material acc. with UL94 | V0 |
| Mounting method | DIN rail (top hat rail) 35/7.5 mm |
| Terminal blocks for electrical installations | yes |

Technical data

| | |
|-----------------------------|---------------|
| Rated current | 26 A |
| Rated voltage | 400 V |
| Rated impulse voltage | 6 kV |
| Pollution degree | 3 |
| Closing plate required | yes |
| Type of insulation material | Thermoplastic |
| Length | 90 mm |

Connection Data

| | |
|-------------------------------------|---------------------|
| Connection type 1 | screw connection |
| Connection type 2 | screw connection |
| Minimum cross section solid | 0.5 mm ² |
| Maximum cross section solid | 6 mm ² |
| Minimum cross section fine stranded | 0.5 mm ² |
| Maximum cross section fine stranded | 4 mm ² |
| Wire strip length | 7 mm |

| | |
|---------------------------|--------|
| Torque conductor mounting | 0.5 Nm |
|---------------------------|--------|

Technical Data UL/CSA

| | |
|------------------------|-----------|
| Cross section UL | 22-10 AWG |
| Voltage UL | 300 V |
| Current factory wiring | 24 A |
| Current field wiring | 24 A |
| Cross section CSA | 22-10 AWG |
| Voltage CSA | 300 V |
| Current CSA | 25 A |

Note

| | |
|------------|-----|
| N-function | yes |
|------------|-----|

Classification

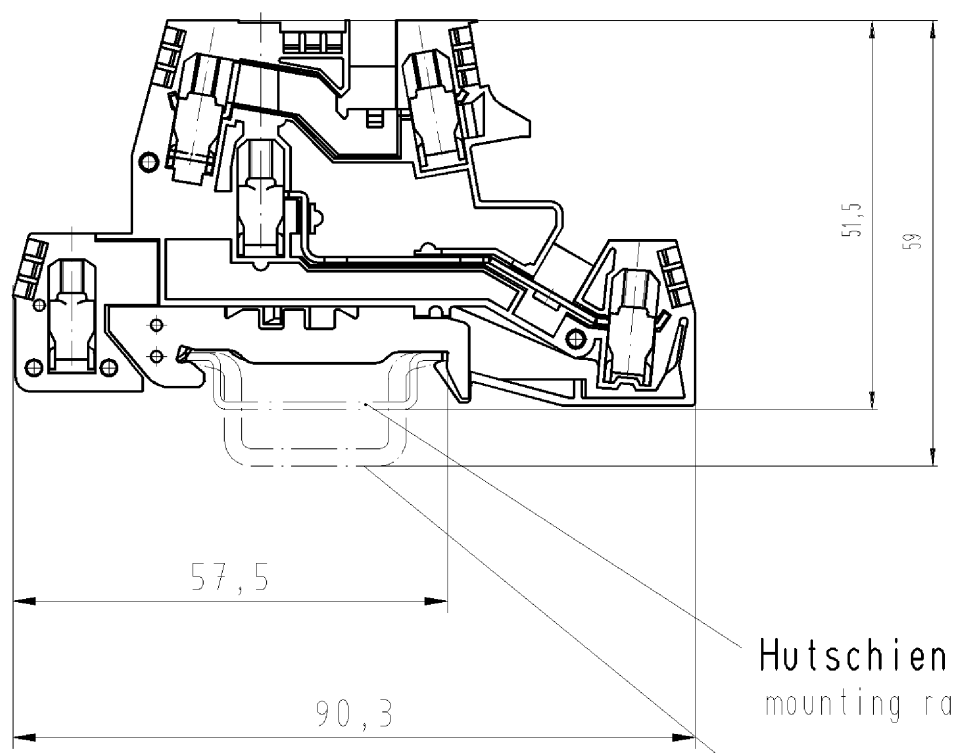
| | |
|------------|----------|
| ECLASS 11 | |
| ECLASS 8.1 | 27141125 |
| ETIM 7.0 | EC001329 |
| ETIM 6.0 | EC001329 |
| ETIM 5.0 | EC001329 |
| ETIM 4.0 | EC001329 |
| ETIM 3.0 | EC001329 |

Accessories

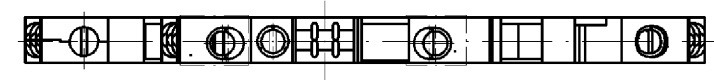
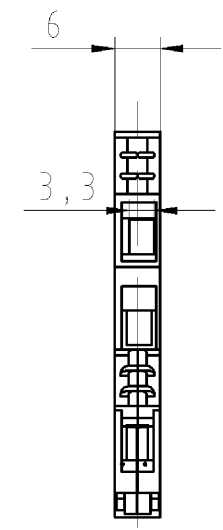
| Commercial Art.No.: | Article-type description: | Description: |
|---------------------|--|--|
| Z7.211.0227.0 | Jumper bar 9703 / 6- 2 | Cross connector for DIN rail terminal blocks type 9700 A ..., 2 -pole |
| Z7.211.0327.0 | Jumper bar 9703 / 6- 3 | Cross connector for DIN rail terminal blocks type 9700 A ..., 3 -pole |
| Z7.211.0427.0 | Jumper bar 9703 / 6- 4 | Cross connector for DIN rail terminal blocks type 9700 A ..., 4 -pole |
| Z7.211.0627.0 | Jumper bar 9703 / 6- 6 | Cross connector for DIN rail terminal blocks type 9700 A ..., 6 -pole |
| Z7.271.5227.0 | Insulated jumper bar IVB WKI 4 -12 | Cross connector, insulated for DIN rail terminal blocks type WK ..., 12 -pole |
| 98.300.0000.0 | Mounting rail TS 35x7,5 UNPERF - l:2000mm | Mounting rail TS 35, unslotted, size 7,5 mm, length 2 m, material steel. galv. zinc-plated and dichromated |
| 98.300.1000.0 | Mounting rail TS 35x7,5 PERF 15mm - l:2000mm | Mounting rail TS 35, slotted, size 7,5 mm, length 2 m, material steel. galv. zinc-plated and dichromated |
| 98.300.1900.0 | Mounting rail TS 35x7,5 PERF 25mm - l:2000mm | Mounting rail TS 35, slotted, size 7,5 mm, length 2 m, material steel. galv. zinc-plated and dichromated |
| 98.360.0000.0 | Mounting rail TS 35x15-2,3 UNPERF - l:2000mm | Mounting rail TS 35, unslotted, size 15 mm, length 2 m, material steel. galv. zinc-plated and dichromated |
| 98.360.0004.0 | Mounting rail TS 35x15-2,3 UNPERF FZN - l:2000mm | Mounting rail TS 35, unslotted, size 15 mm, length 2 m, material steel, hot galvanized |
| 98.370.0000.0 | Mounting rail TS 35x15 UNPERF - l:2000mm | Mounting rail TS 35, unslotted, size 15 mm, length 2 m, material steel. galv. zinc-plated and dichromated |
| 98.370.1000.0 | Mounting rail TS 35x15 PERF 15mm - l:2000mm | Mounting rail TS 35, slotted, size 15 mm, length 2 m, material steel. galv. zinc-plated and dichromated |
| 98.380.0000.0 | Mounting rail TS 35x15-2,3 UNPERF CU - l:2000mm | Mounting rail TS 35, unslotted, size 15 mm, length 2 m, material E copper |
| 07.311.6555.0 | End plate API 4/2/V0 | End plate for DIN rail terminal blocks type WKI 4/2..., color: grey |
| 07.311.6955.0 | Partition TWI 4/V0 | Partition for DIN rail terminal blocks type WKI 4..., color: grey |

| | | |
|---------------|--|--|
| 98.300.1800.0 | Mounting rail TS 35x7,5 PERF 18mm - l:2000mm | Mounting rail TS 35, slotted, size 7,5 mm, length 2 m, material steel. galv. zinc-plated and dichromated |
|---------------|--|--|

Diese Maße werden bei Abnahme besonders geprüft
 Ausschließlich Prüfmaße
 Mit /E gekennzeichnete Maße sind nur für interne Zwecke gültig



Hutschiene EN 60715-35x7,5
 mounting rail EN 60715-35x7,5
 Hutschiene EN 60715-35x15
 mounting rail EN 60715-35x15



Weitere Daten siehe Katalog
further data see catalog

| | | | | | | | | | | |
|-------------------|---------------|---|---------------------------|------|------------------------|-----------|--|--|---------------|-------|
| Freitoleranz nach | | CAD - Zeichnung, keine manuellen Änderungen | | | 1. Verwendung: - | | Bl.: 1 von 1 | | | |
| | / | Maßstab | Werkstoff und Oberfläche: | | 2003 | Tag | Name | | | |
| | / | | | | Entworfen | 07.05. | Schmitt J. | | Zeichnung Nr. | Index |
| | / | | | | | | Geprüft - - | | | |
| | / | Vol. | mm ³ | Dfl. | mm ² | Normgepr. | Ersatz für: - | | | |
| | / | wieland Elektrische Verbindungen | | | WK1 4 N-D-SL | | Benennung | | | |
| | / | | | | | | INSTALLATIONSKLEMME install terminal | | | |
| Buchstabe | Datum / Blatt | Änderung | | | | | | | | |

Weitergabe sowie Vervielfältigung dieses Dokuments, Verwertung und Mitteilung
 seines Inhalts sind verboten, soweit nicht ausdrücklich gestattet.
 The reproduction, distribution and utilization of this document as well as the
 communication of its contents to others without express authorization is prohibited.