

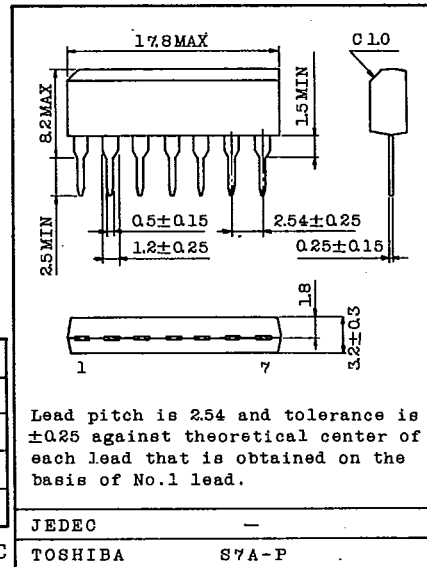
TA7120P

T-74-09-01

GENERAL PURPOSE PRE-AMPLIFIER, VOLTAGE AMPLIFIER.

- . Low Noise. : $V_{NI}=2\mu V_{rms}$ (Typ.)
- . Wide Operating Supply Voltage Range.
- . High Open Loop Voltage Gain : $G_{VO}=78dB$ (Typ.)

Unit in mm



MAXIMUM RATINGS (Ta=25°C)

| CHARACTERISTIC | SYMBOL | RATING | UNIT |
|--------------------------|--------|-----------|------|
| Supply Voltage | VCC | 15 | V |
| Power Dissipation (Note) | Pd | 200 | mW |
| Operating Temperature | Topr | -30 ~ 75 | °C |
| Storage Temperature | Tstg | -55 ~ 125 | °C |

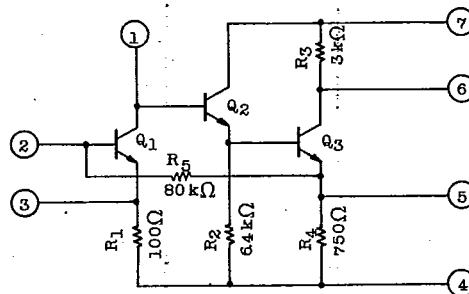
Note: Derated above Ta=25°C in the proportion of 2mW/°C

ELECTRICAL CHARACTERISTICS (VCC=8V, RL=5.1kΩ, Ta=25°C)

| CHARACTERISTIC | SYMBOL | TEST CIR-CUIT | TEST CONDITION | MIN. | TYP. | MAX. | UNIT |
|--------------------------------------|--------|---------------|-----------------------------------|------|------|------|-------|
| Supply Current | ICC | 1 | VIN=0 | - | 1.5 | 2.1 | mA |
| Voltage Gain (Open Loop) | GVO | 1 | f=1kHz, VIN=-80dBm | 75 | 78 | 82 | dB |
| Voltage Gain (Closed Loop) (Note) | Gv | 2 | f=1kHz, RNF=35kΩ, VOUT=1Vrms | 46.5 | - | 52.5 | dB |
| Maximum Output Voltage | VOM | 3 | f=1kHz, THD=1% | 1.0 | - | - | Vrms |
| Equivalent Input Noise Voltage | VNI | 3 | NAB Equalizer Rg=2.2kΩ, f=1kHz | - | 2.0 | - | μVrms |

Note: In regard to the value of Voltage Gain (closed loop voltage), it is possible to be classified.

EQUIVALENT CIRCUIT



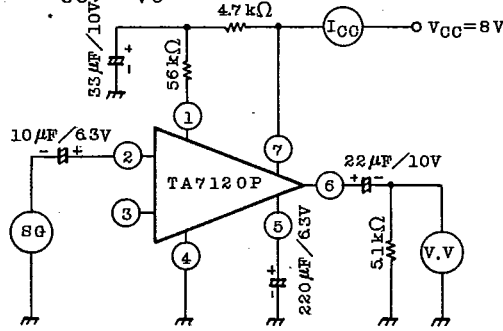
AUDIO LINEAR IC

TA7120P

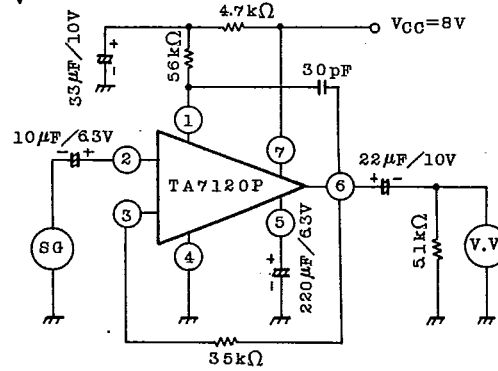
T-74-09-01

TEST CIRCUIT

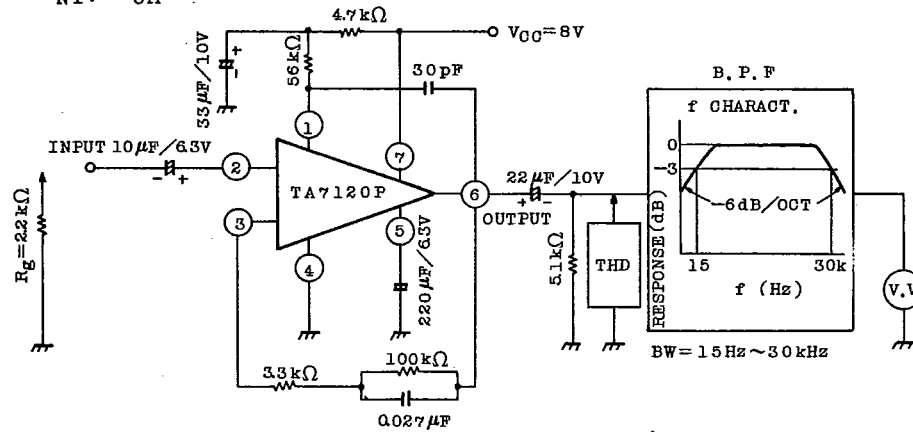
1. I_{CC} , G_V



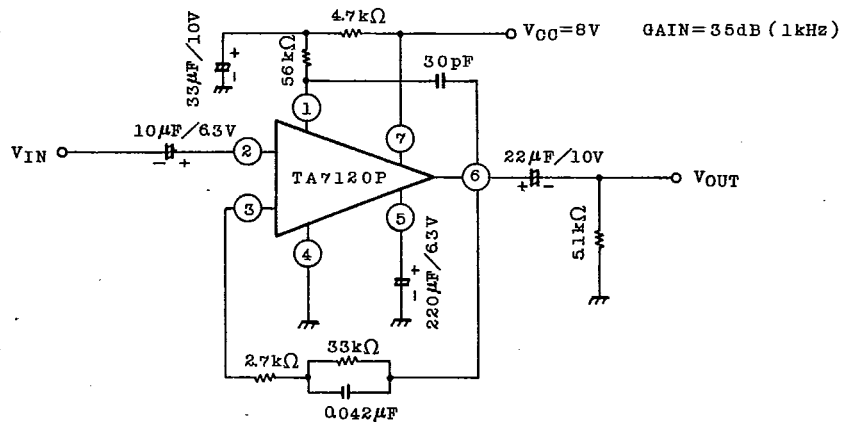
2. G_V



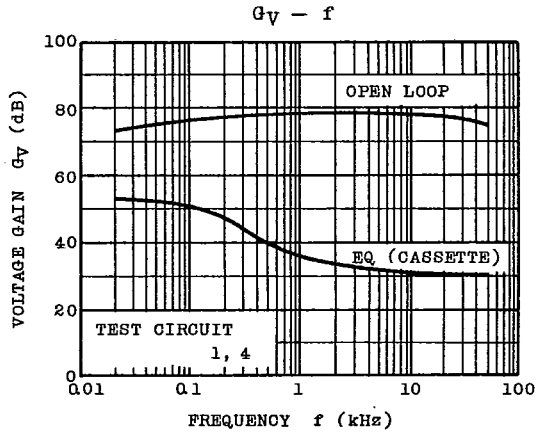
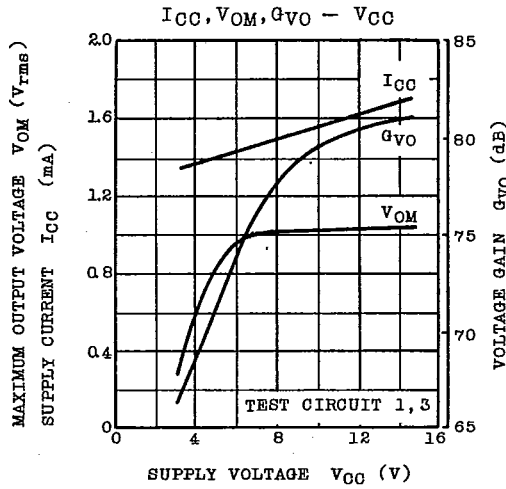
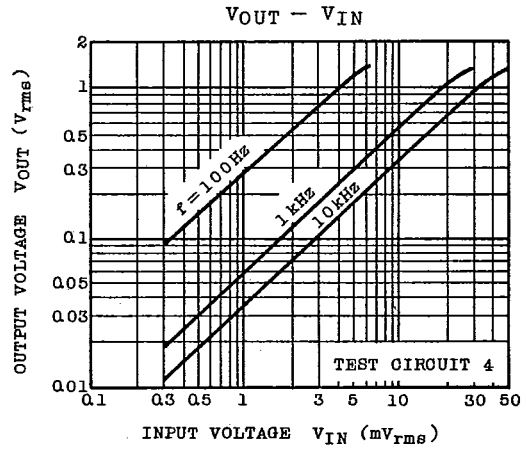
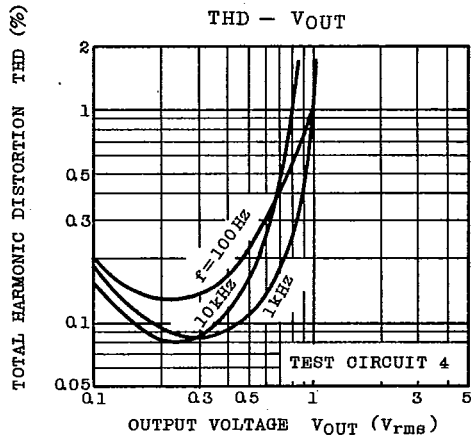
3. V_{NI} , V_{OM}



4. EQUALIZER AMPLIFIER FOR CASSETTE TAPE RECORDER

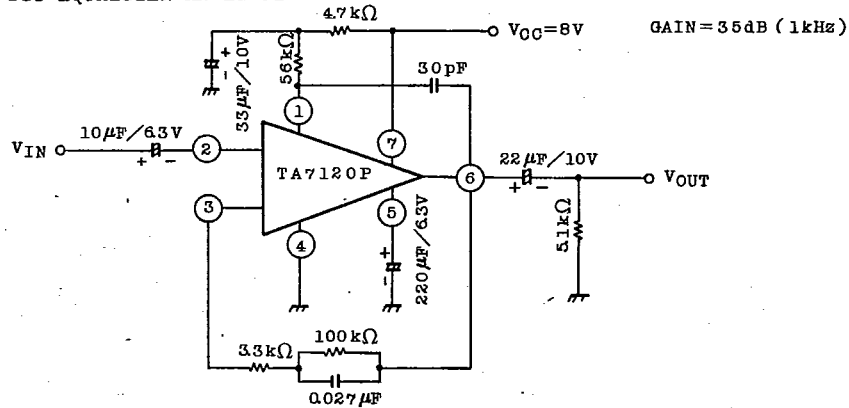


TA7120P



APPLICATION CIRCUIT

NAB 9.8cm/sec EQUALIZER AMPLIFIER FOR CAR-STEREO



AUDIO LINEAR IC