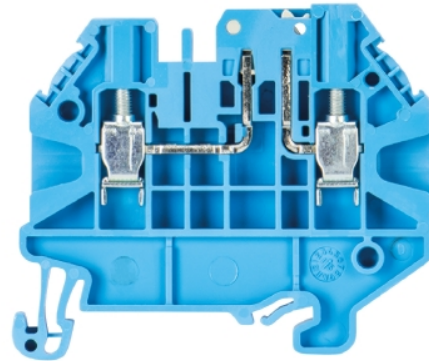


## Data sheet

Commercial Art.No.: 58.503.2155.6

Feed-through terminal WT 2,5 TKM D

Feed-through terminal with Screw connection for mounting on TS 35, nominal cross section: 2.5 mm<sup>2</sup>, Width: 5 mm, Color: blue



Commercial Art.No.	58.503.2155.6
EAN	4049088287985
Order Unit	100

## Technical data

### General

Nominal cross section	2.5 mm <sup>2</sup>
Number of levels	1
Number of clamp positions per level	2
Width/grid dimension	5 mm
Insulating housing	PA666
Inflammability class of insulation material acc. with UL94	V0
Explosion-tested version "Ex e"	yes
Mounting method	DIN rail (top hat rail)
Terminal blocks for electrical installations	yes

### Technical data

Rated current	24 A
Rated voltage	1000 V
Rated impulse voltage	8 kV
Pollution degree	3
Closing plate required	yes
Type of insulation material	Thermoplastic
Length	48 mm
Width	5 mm
Height	48 mm

### Connection Data

Connection type 1	screw connection
Connection type 2	screw connection
Minimum cross section solid	0.14 mm <sup>2</sup>
Maximum cross section solid	4 mm <sup>2</sup>

Minimum cross section fine stranded	0.14 mm <sup>2</sup>
Maximum cross section fine stranded	4 mm <sup>2</sup>
Wire strip length	9 mm
Torque conductor mounting	0.4 Nm

**Technical Data UL/CSA**

Cross section UL	26-12 AWG
Voltage UL	600 V
Current factory wiring	30 A
Current field wiring	20 A
Cross section CSA	26-12 AWG
Voltage CSA	600 V
Current CSA	25 A

**Classification**

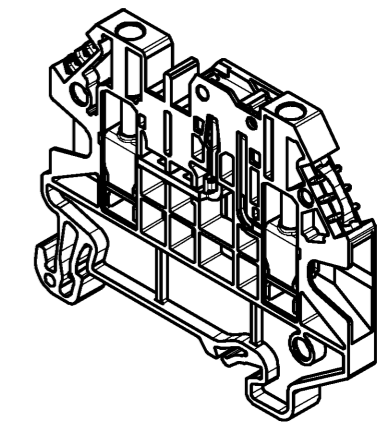
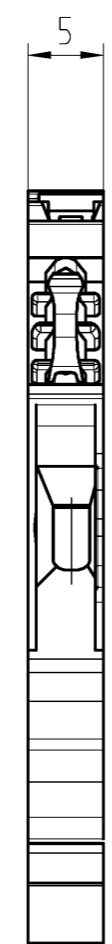
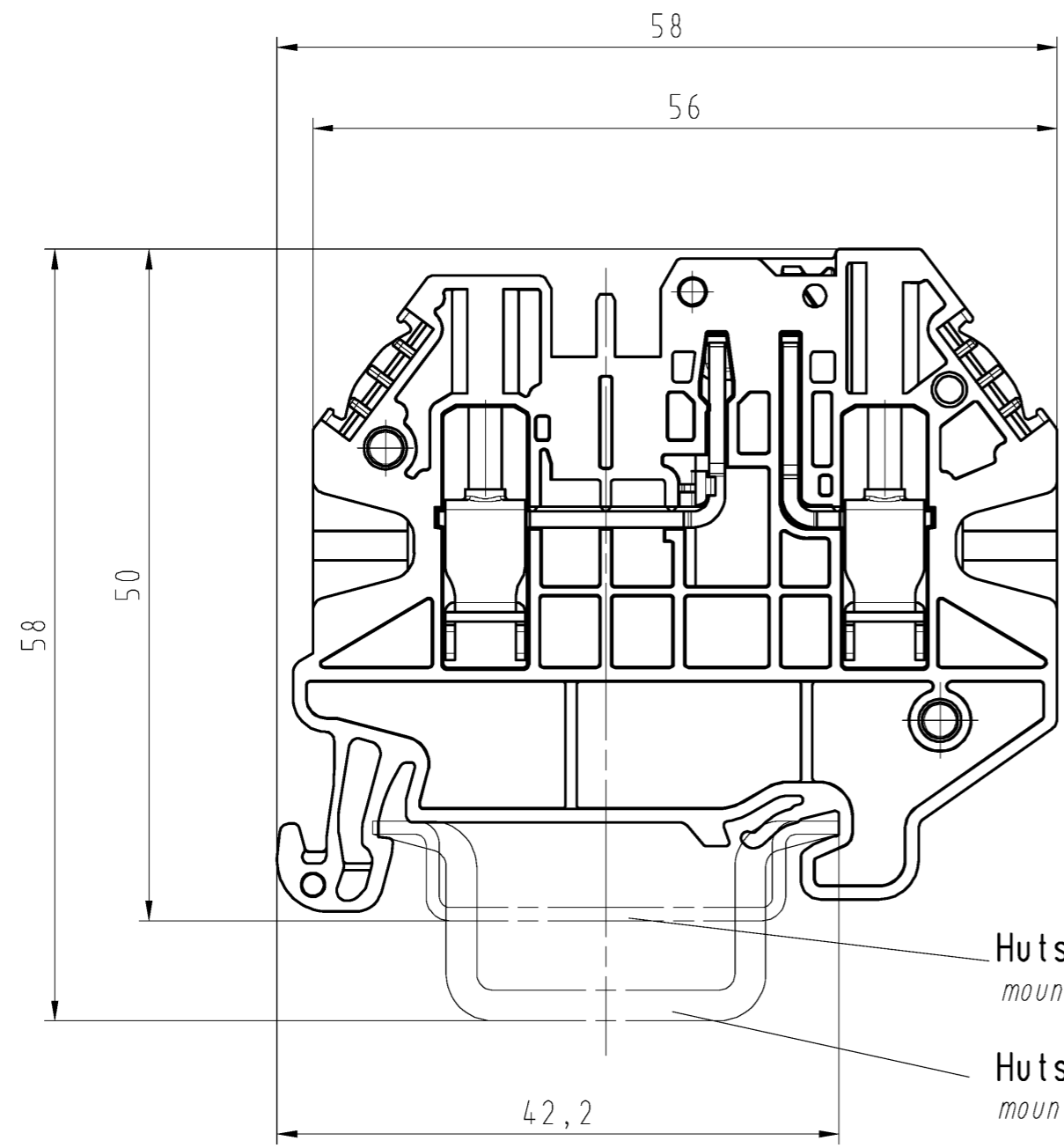
ECLASS 11	
ECLASS 8.1	27141126
ETIM 7.0	EC000897
ETIM 6.0	EC000897
ETIM 5.0	EC000897
ETIM 4.0	EC000897

**Product compliance**

REACH-SVHC conformity status	Compliant
------------------------------	-----------

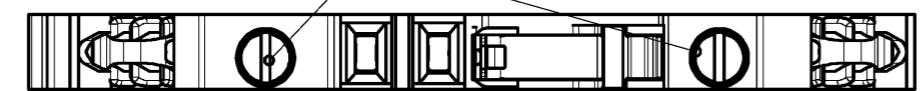
These dimensions will be especially checked at delivery  
Only inspection dimensions  
With /E marked dimensions are only valid for internal use

Diese Maße werden bei Abnahme besonders geprüft  
Ausschließlich Prüfmaße  
Mit /E gekennzeichnete Maße sind nur für interne Zwecke gültig

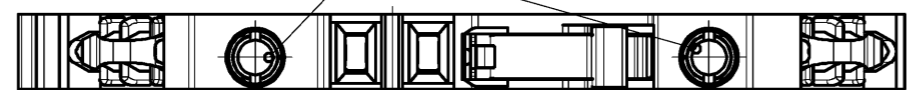


M/scale 1:1

Ⓐ Ansicht von 58.503.2155.0/6  
view on 58.503.2155.0/6



Ⓐ Ansicht von 58.503.2255.0/6  
view on 58.503.2255.0/6



Teile-Nr. part-no.	Farbe color
58.503.2255.0	grau grey
58.503.2255.6	blau blue
58.503.2155.0	grau grey
58.503.2155.6	blau blue

Tolerierung Size ISO 14405(®)/Tolerance system Size ISO 14405(®). (This ISO-standard describes the envelope principle. According to the envelope principle the deviations of form and parallelism are limited by the size tolerances).				ja/yes <input checked="" type="checkbox"/> Stoffverbots- und Deklarationsliste nach WN 5020.010 ist einzuhalten. Conformity with Wieland document WN 5020.010 e (list of prohibited / declarable hazardous substances) to be declared!			
Freitoleranz nach General tolerance		CAD - Zeichnung, keine manuellen Änderungen CAD - drawing, no manual modifications allowed		1.Verwendung: First Use: -		Blatt: 1 von 1 Sheet: of 1	
/		Werkstoff/Material		2015	Tag/Date	Name	
/		Maßstab/Scale		gezeichnet drawn	13.01.	Süß Ch.	
/		2:1		geprüft checked	-	-	
/		Vol. mm³		Normgepr. Stand. check	-	-	
/		OfI./Surf. mm²		Ersatz für/Replacement for: -			
/		www.wieland-electric.com		Type	Benennung/Title		
a 25.02.2015/ Index Datum / Blatt Date / Sheet		www.wieland-electric.com		WT 2,5 TKM D	DURCHGANGSKLEMME_TKM feed through terminal		
Änderung/Revision							

Weitergabe sowie Vervielfältigung dieses Dokuments, Verwertung und Mitteilung seines Inhalts sind verboten, soweit nicht ausdrücklich gestattet. Die Reproduktion, Distribution und Utilization of this document as well as the communication of its contents to others without express authorization is prohibited.