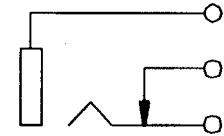
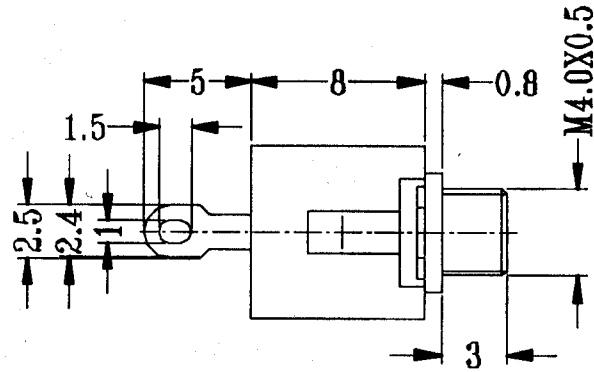
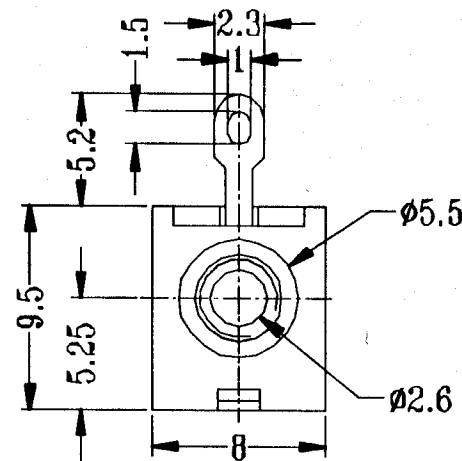
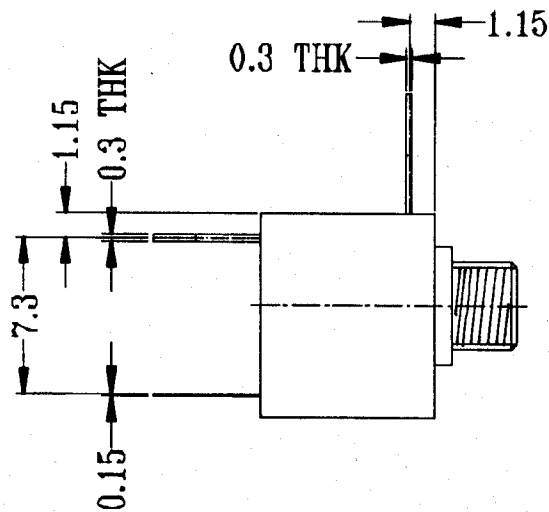


CAD FILE:



SCHEMATIC



NO.	PART NAME	MATERIAL	Q'TY	FINISHING	TOLERANCE UNLESS SPECIFIED		ISSUE	DATE	DESCRIPTIONS	APPD.
8					WITHIN: 1.5±0.1mm					
7					OVER : 1.5±0.2mm					
6										
5	SPRING TERMINAL	STAINLESS STEEL	1	Ag PLATED OVER Ni PLATED						
4	TERMINAL	BRASS STRIP	1	Ag PLATED OVER Ni PLATED						
3	CASE	ABS	1	MILKY WHITE	TITLE : PHONE JACK			UNIT : MM	DRWG NO.: SF-DR-EY501-00	
2	CONTACT	BRASS STRIP	1	Ag PLATED OVER Ni PLATED	MODEL: EY-501C			SCALE: 3:1	DWN.	
1	SOCKET	BRASS	1	Ni PLATED	DRAGON CITY INDUSTRIES LIMITED				CHK'D	
									APPD.	