



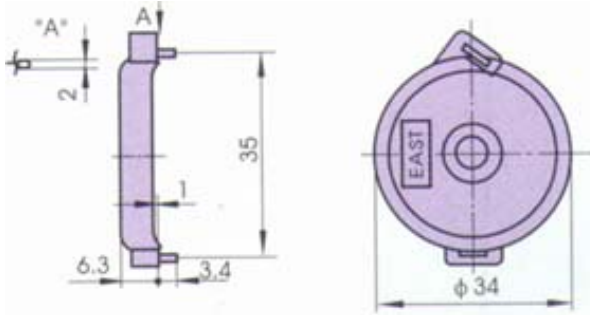
• **TFM-11**



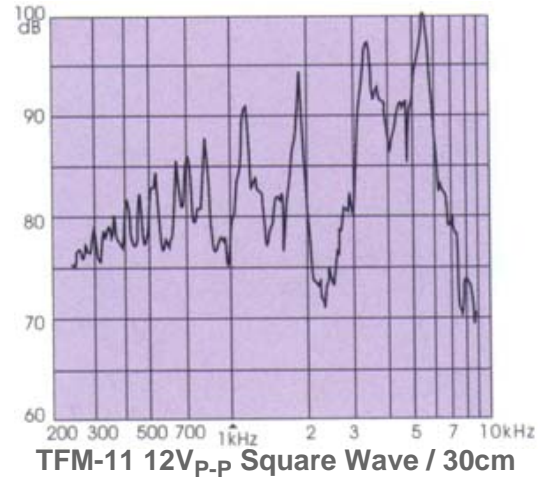
**FEATURES:**

- Low frequency
- Low electric current
- Light and compact

**DIMENSIONS:** (Unit: mm)



**CHARACTERISTICS:**



<b>ELECTRICAL SPECIFICATIONS :</b>	
<b>Model No.</b>	<b>TFM-11</b>
Min. Sound Pressure Level (dB)	75 /1.0kHz/12V <sub>p.p</sub> Square Wave / 30cm
Max. Consumption (mA)	3 /1.0kHz/12V <sub>p.p</sub> Square Wave
Resonant Frequency (kHz)	1.0 ± 0.5
Capacitance at 120Hz (nF)	45 ± 30%
Allowable Input Voltage (V <sub>p.p</sub> )	40
Operating Temperature (°C)	-20 ~ +70
Weight (g)	3.5
Case Material/Colour	ABS/Black
<b>PACKING INFORMATION :</b>	
Packing :	1000 pcs per export carton
Carton Size :	47 X 30.5 X 35 cm
G. Weight :	5 kgs
N. Weight :	3.5 kgs

• **TFM-59DA<sub>1</sub>(DA<sub>2</sub>)**

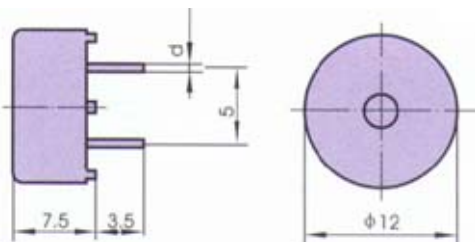


**FEATURES:**

- Super mini size
- Low current consumption
- High output

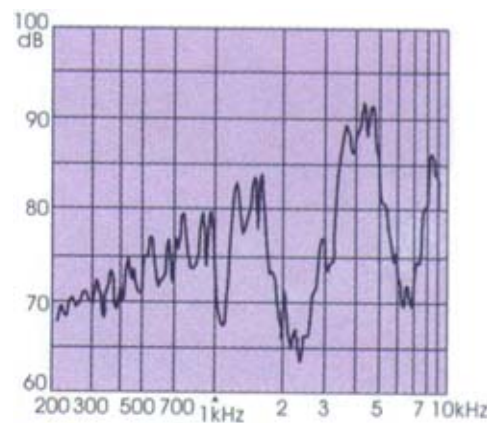
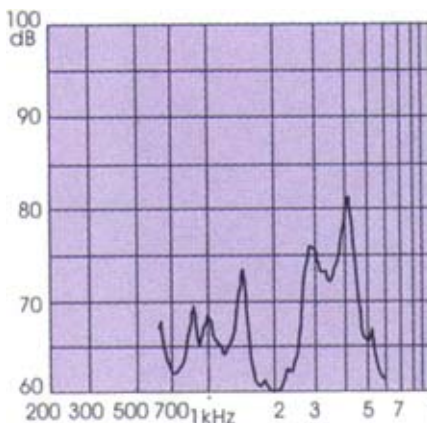
<b>TFM59DA-1</b>	d=Ø0.8
<b>TFM-59DA-2</b>	d=Ø0.7

**DIMENSIONS: (Unit: mm)**



**TFM-59D**

**CHARACTERISTICS:**



**TFM-59DA-1 3V<sub>p-p</sub> Square Wave /10cm TFM-59DA-2 12V<sub>p-p</sub> Square Wave /10cm**

**ELECTRICAL SPECIFICATIONS :**

<b>Model No.</b>	<b>TFM-59DA-1</b>	<b>TFM-59DA-2</b>
Min. Sound Pressure Level (dB)	70/4.0kHz/3V <sub>p-p</sub> Square Wave /10cm	80/4.0kHz/12V <sub>p-p</sub> Square Wave /10cm
Max. Consumption (mA)	3/4.0kHz/3V <sub>p-p</sub> Square Wave	6/4.0kHz/12V <sub>p-p</sub> Square Wave
Resonant Frequency (kHz)	4.0 ± 0.5	
Capacitance at 1000Hz (nF)	11 ± 30%	
Allowable Input Voltage (V <sub>p-p</sub> )	25	
Operating Temperature (°C)	-20 ~ +70	
Weight (g)	1	
Case Material/Colour	PC/Black	

**PACKING INFORMATION :**

Packing :	5000 pcs per export carton
Carton Size :	47 X 30.5 X 25 cm
G. Weight :	6.5 kgs
N. Weight :	5 kgs