



5.0mm Round Type Ultra White LED Lamps

PART NO: FYL-5013UWC/P

REV NO: 1.0

PAGE: 1/2

Features:

Ultra brightness.

Popular T-1 3/4 diameter package.

Choice of various viewing angles.

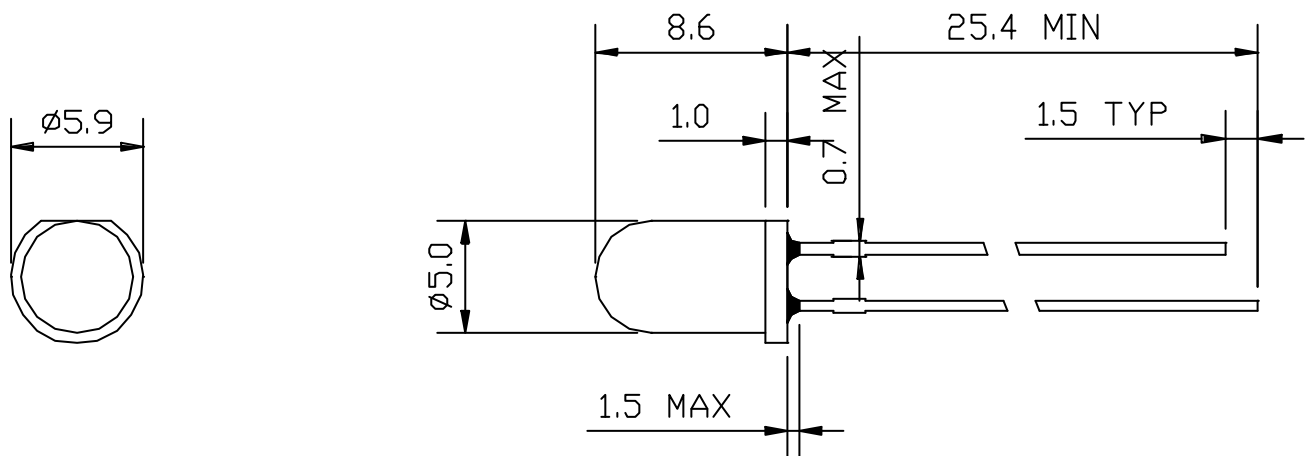
IC compatible /Low current capability.

Descriptions:

The series is specially designed for applications requiring higher brightness.

The LED lamps are available with different colors , intensities , epoxy colors etc.

Package Dimensions:



NOTES:

1. All dimension are in millimeters.
2. An epoxy meniscus may extend about 1.5mm down to the lead.
3. Tolerances unless dimension  $\pm 0.25$ mm.



5.0mm Round Type Ultra White LED Lamps

PART NO: FYL-5013UWC/P

REV NO: 1.0

PAGE: 2/2

Absolute Maximum Ratings at Ta=25

Parameter	Symbol	Rating	Unit
Forward Current	I <sub>F</sub>	30	mA
Power Dissipation	P <sub>d</sub>	120	mW
Reverse Voltage	V <sub>R</sub>	5	V
Peak Forward Current (Duty 1/10 @1KHZ)	I <sub>PF</sub>	100	mA
Operation Temperature	T <sub>OPR</sub>	-40 to +80	
Storage Temperature	T <sub>STG</sub>	-40 to +85	
Lead Soldering Temperature	T <sub>SOL</sub>	Max.260 for 3 sec Max. (1.60mm from the base of the epoxy bulb)	

Electronic Optical Characteristics at Ta=25

Items	Symbol	Min.	Typ.	Max.	Unit	Condition
Forward Voltage	V <sub>F</sub>	-	3.80	4.50	V	I <sub>F</sub> =20mA
Reverse Current	I <sub>R</sub>	-	-	10	uA	V <sub>R</sub> =5V
Dominant Wavelength	D	-	-	-	nm	I <sub>F</sub> =20mA
Spectrum Line Half width		-	-	-	nm	I <sub>F</sub> =20mA
Luminous Intensity	I <sub>V</sub>	10000	12000	-	mcd	I <sub>F</sub> =20mA
Viewing Angle	2 1/2	-	30	-	degree	I <sub>F</sub> =20mA