

# VECO VANSONIC ENTERPRISE CO., LTD.

8F., No.7, Lane 16, Sec.2, Szechwan Road, Panchiao, Taipei Hsien, TAIWAN.

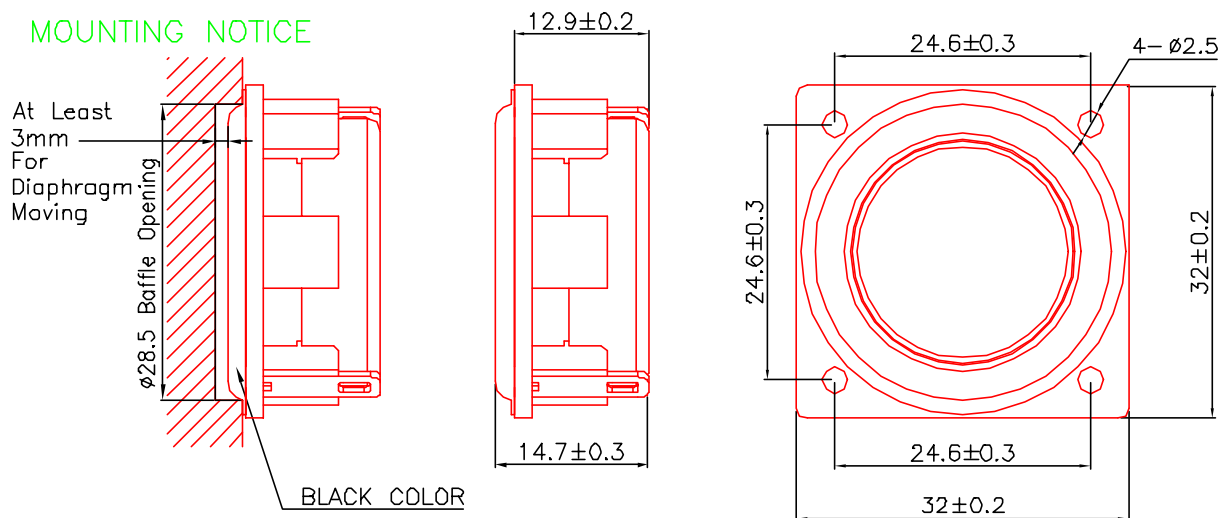
TEL: +886-2-29626335

FAX: +886-2-29625220

E-MAIL: vansonic@ms4.hinet.net

|     |   |  |                      |                |                |
|-----|---|--|----------------------|----------------|----------------|
| 1.  | MODEL:                                  | 32KC08-1   |                      |                |                |
| 2.  | Dimension                               | Outer Diameter   | 32x 32 mm.           | Baffle Opening | ø28.5 mm.      |
|     |   | Height   | Refer to Drawing     | Weight         | 26 Grams.      |
| 3.  | Magnet                                  | Materials  | Rare Earth           | Size           | ø 19 x 3.4 mm. |
| 4.  | Nominal Resistance                      | 8 Ω ± 15 %   |                      |                |                |
| 5.  | Power Rating                            | Normal   | 3 W.                 | Maximum        | 5 W.           |
| 6.  | Lowest Resonant Frequency               | 170 ± 20 %   | Hz.                  |                |                |
| 7.  | Output Sound Pressure Level<br>(S.P.L.) | 82 ± 3 db / 1.0 Watt . 0.5 Meter.                      |                      |                |                |
|     |   | Average at   | 600, 800, 1000, 1200 | Hz.            |                |
| 8.  | Frequency Range                         | 120 ~ 20000 Hz.  | Average SPL - 10 db. |                |                |
| 9.  | Distortion                              | 5 % Maximum At   | 1000 Hz.             | 1 W.           |                |
| 10. | Abnormal Sound Test                     | Must be Normal Tested By                               | 4.9 Volts.           | Sine Wave.     |                |
| 11. | Load Test                               | White Noise with Weighted Filter                       | 4.9 Volts.(RMS)      | 24 Hrs.        |                |
| 12. | Polarity                                | Diaphragm shall move Forward when Apply a Positive DC. |                      |                |                |
|     |   | Current to the "+" or "Marked" Terminal.               |                      |                |                |

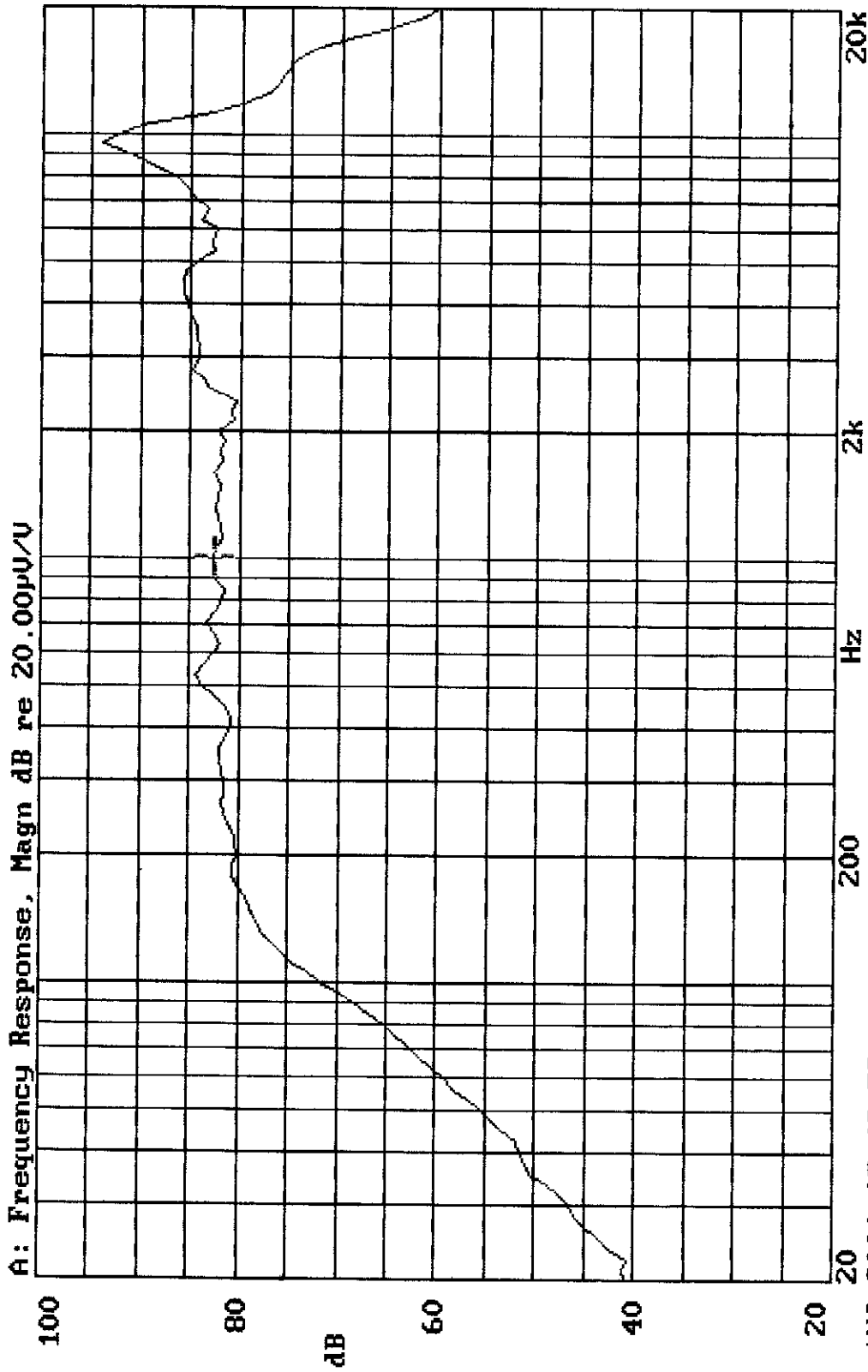
## MOUNTING NOTICE



Unit : mm

Housing Material : PBT

32KC08-1 VOL:2.828V(1W) DIS:0.5M VANSONIC  
X:1.0000kHz \*Y:82.63dB ZA:2.0000 SSR Fund.



07-AUG-2001 15:49:59

Mode: SSR

