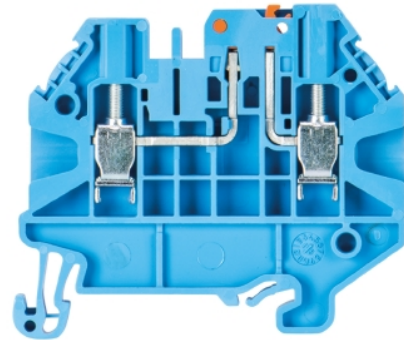


Data sheet

Commercial Art.No.: 58.503.2055.6

Knife disconnect terminal WT 2,5 TKM BL

Knife edge disconnect terminal with Screw connection for mounting on TS35 / TS 32, nominal cross section: 2.5 mm², width: 6 mm, color: blue



Commercial Art.No.	58.503.2055.6
EAN	4049088274183
Order Unit	100

Technical data

General

Nominal cross section	2.5 mm ²
Number of levels	1
Number of clamp positions per level	2
Width/grid dimension	6 mm
Insulating housing	PA666
Inflammability class of insulation material acc. with UL94	V0
Mounting method	DIN rail (top hat rail)/G-rail
Terminal blocks for electrical installations	No

Technical data

Rated current	20 A
Rated voltage	500 V
Rated impulse voltage	6 kV
Pollution degree	3
Closing plate required	yes
Type of insulation material	Thermoplastic
Length	56 mm

Connection Data

Connection type 1	screw connection
Connection type 2	screw connection
Minimum cross section solid	0.14 mm ²
Maximum cross section solid	4 mm ²
Minimum cross section fine stranded	0.14 mm ²
Maximum cross section fine stranded	4 mm ²
Minimum conductor cross section (flex., stranded) with cable end sleeve	0.5 mm ²

Maximum conductor cross section (flex., stranded) with cable end sleeve	2.5 mm ²
Wire strip length	9 mm
Torque conductor mounting	0.4 Nm

Technical Data UL/CSA

Cross section UL	26-12 AWG
Voltage UL	300 V
Current factory wiring	16 A
Current field wiring	16 A
Cross section CSA	26-12 AWG
Voltage CSA	300 V
Current CSA	16 A

Classification

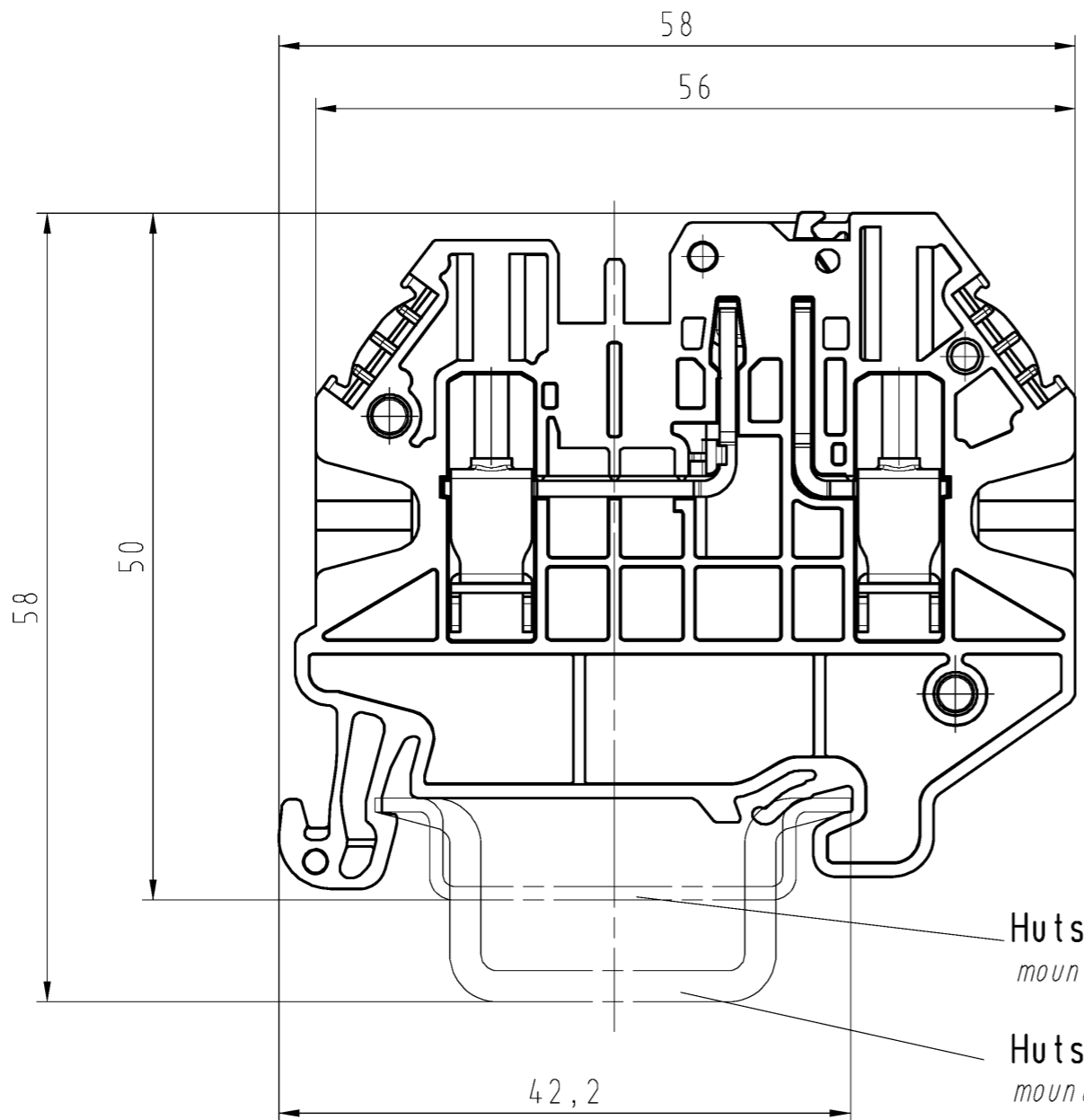
ECLASS 11	
ECLASS 8.1	27141126
ETIM 7.0	EC000902
ETIM 6.0	EC000902
ETIM 5.0	EC000902
ETIM 4.0	EC000902
ETIM 3.0	EC000902

Product compliance

REACH-SVHC conformity status	Compliant
------------------------------	-----------

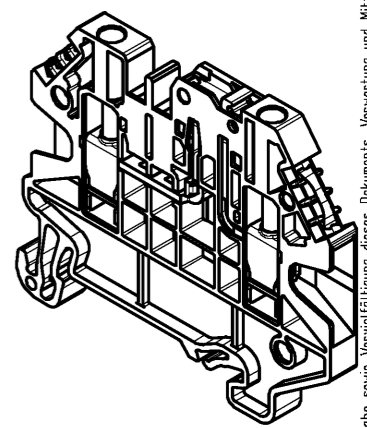
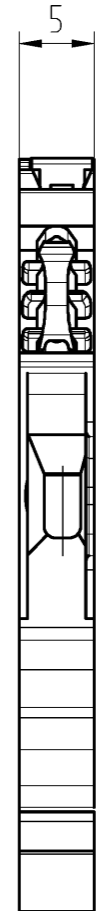
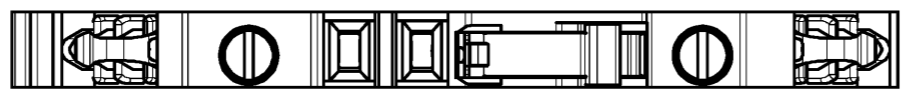
These dimensions will be especially checked at delivery
 Only inspection dimensions
 With /E marked dimensions are only valid for internal use

Diese Maße werden bei Abnahme besonders geprüft
 Ausschließlich Prüfmaße
 Mit /E gekennzeichnete Maße sind nur für interne Zwecke gültig



Hutschiene EN 60715-35x7,5
 mounting rail EN 60715-35x7,5

Hutschiene EN 60715-35x15
 mounting rail EN 60715-35x15



M/scale 1:1

Weitergabe sowie Vervielfältigung dieses Dokuments, Verwertung und Mitteilung seines Inhalts sind verboten, soweit nicht ausdrücklich gestattet. Die Reproduktion, Distribution und Utilization of this document as well as the communication of its contents to others without express authorization is prohibited.

Teile-Nr. part-no.	Farbe color
58.503.2055.0	grau grey
58.503.2055.6	blau blue

Tolerierung Size ISO 14405(☉)/Tolerance system Size ISO 14405(☉). (This ISO-standard describes the envelope principle. According to the envelope principle the deviations of form and parallelism are limited by the size tolerances).				ja/yes <input checked="" type="checkbox"/> Stoffverbots- und Deklarationsliste nach WN 5020.010 ist einzuhalten. Conformity with Wieland document WN 5020.010 e (list of prohibited / declarable hazardous substances) to be declared!			
Freitoleranz nach General tolerance		CAD - Zeichnung, keine manuellen Änderungen CAD - drawing, no manual modifications allowed		1.Verwendung: - First Use:		Blatt: 1 von 1 Sheet: of 1	
/		Werkstoff/Material		2015 Tag/Date Name		Zeichnung Nr./Drawing No. Index	
/				gezeichnet drawn 13.01. Süß Ch.		T 58.503.2055.0 01K	
/ Maßstab/Scale				geprüft checked - -			
/ 2:1				Normgepr. Stand. check - -		Maße in mm/Dimensions are in mm	
/ Vol. mm³		OfI./Surf. mm²		Ersatz für/Replacement for: -			
/		www.wieland-electric.com		Type WT 2,5 TKM		Benennung/Title DURCHGANGSKLEMME_TKM feed through terminal	
Index Datum / Blatt Date / Sheet							
Änderung/Revision							