

DETAILS

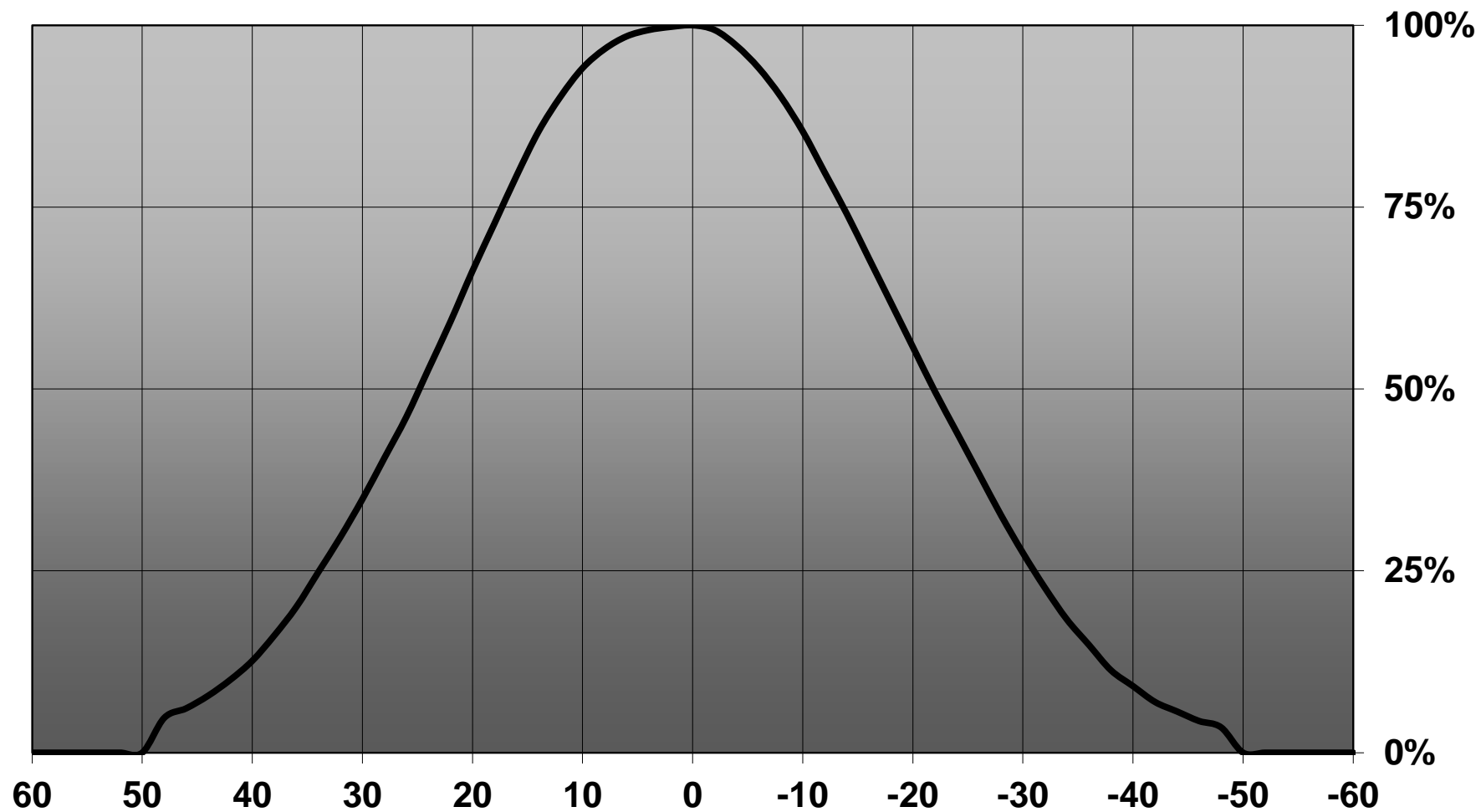
| | |
|------------------------|-------------------------|
| Product Number | CP12946_LARISA-WW-CLIP8 |
| Family | Larisa |
| Type | Assembly |
| Color | black |
| Diameter | 10x10 mm |
| Height | 7,5 mm |
| Style | square |
| Optic Material | PMMA |
| Holder Material | |
| Fastening | glue, clips |
| Status | production ready |
| ROHS Compliant | Yes |
| Date Updated | 9/12/2016 |



OPTICAL PROPERTIES

| LED | Viewing Angle | Light Beam | Efficiency | cd/lm | Connector |
|-------------------|---------------|------------|------------|-------|-----------|
| XB-D | 57 deg | Very Wide | 84 % | 0.900 | - |
| LUXEON Rebel ES | 60 deg | Very Wide | 86 % | 0.900 | - |
| LUXEON Rebel | 62 deg | Very Wide | 88 % | 0.900 | - |
| LUXEON A | 70 deg | Very Wide | 85 % | 0.700 | - |
| NCSxx19A | 52 deg | Very Wide | 83 % | 1.000 | - |
| NVSxx19A | 57 deg | Very Wide | 90 % | 0.900 | - |
| NF2x757A | 49 deg | Very Wide | 87 % | 1.230 | - |
| NF2x757G | 47 deg | Very Wide | 85 % | 1.140 | - |
| Oslo SSL 80 | 66 deg | Very Wide | 84 % | 0.900 | - |
| Duris S5 (2 chip) | 50 deg | Very Wide | 86 % | 1.200 | - |

Relative intensity of CP12946_LARISA-WW-CLIP8_(NF2757G)



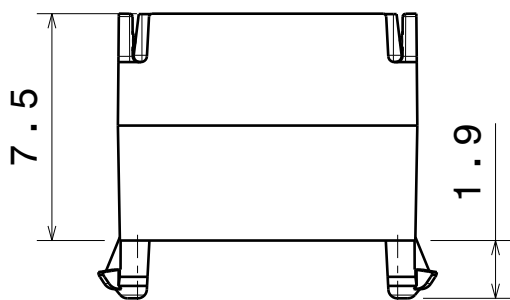
D

C

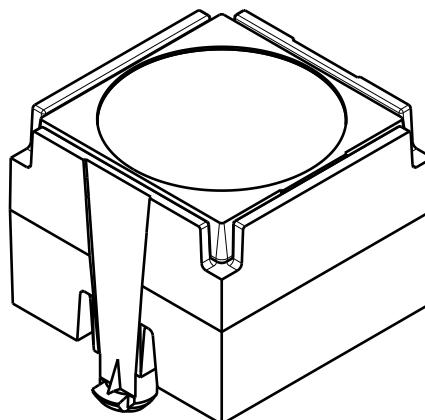
B

A

4

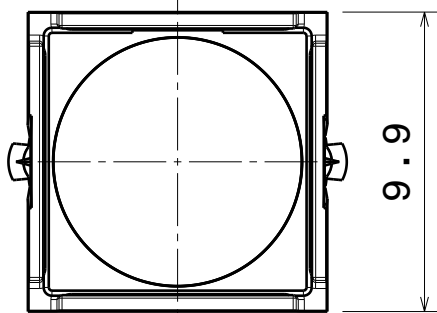


Front view

Isometric view
Scale: 4:1

3

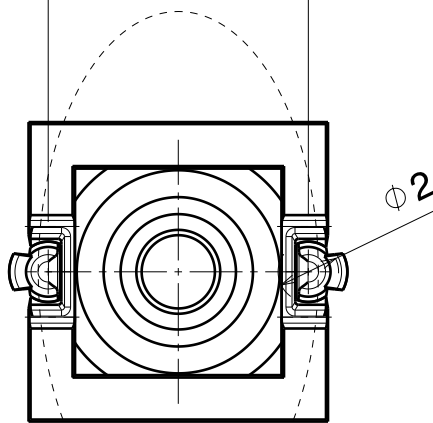
9.9



Top view

8.6

c / c



Bottom view

Oval beam direction

2

2

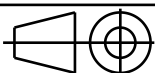
| INDEX | PART NO | DESCRIPTION | MATERIAL | COLOUR |
|-------|---------|---------------------|----------|--------|
| 1 | - | LARISA lens | PMMA | |
| 2 | C12907 | LARISA-HOLDER-CLIP8 | PC | black |

Tolerances if not otherwise shown
According to DIN ISO 2768-1
Linear measures:
Up to 30mm class M, otherwise class C.
According to DIN ISO 2768-2
Form and position: class L

LEDiL

Ledil Oy
Salorankatu 10
FIN 24240 SALO
Finland

THIRD ANGLE PROJECTION:



DRAWING TITLE

LARISA-CLIP8

This drawing is the property
of LEDiL Oy. It may not be
reproduced, copied or
communicated without a written
agreement with LEDiL Oy.

SIZE PART NUMBER

A4

-

SCALE

4:1

WEIGHT

0,6 g

SHEET

1/1

1

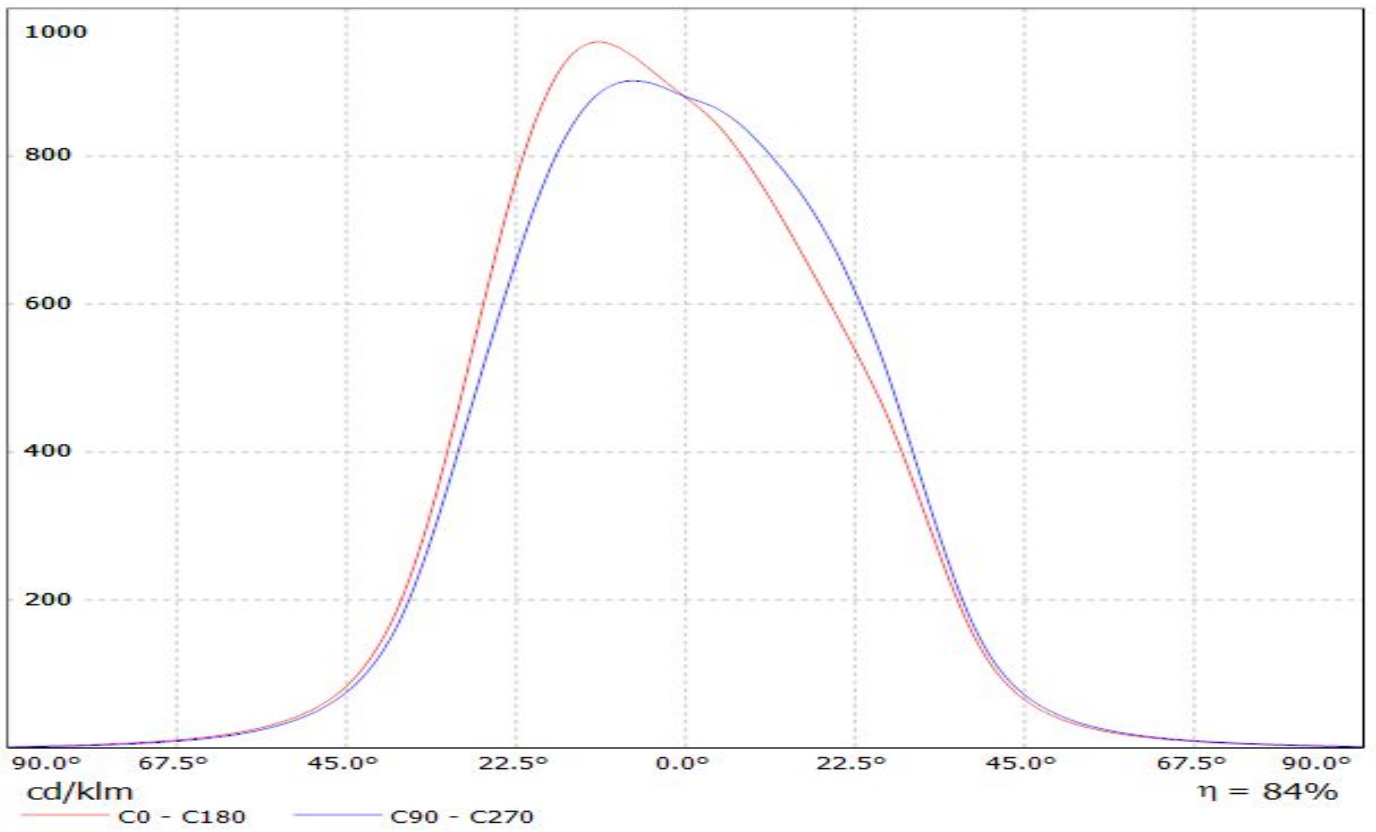
1

D

A

LEDiL Oy C12913_LARISA-WW_(XB-D) Eff.84.3% / LDC (Linear)

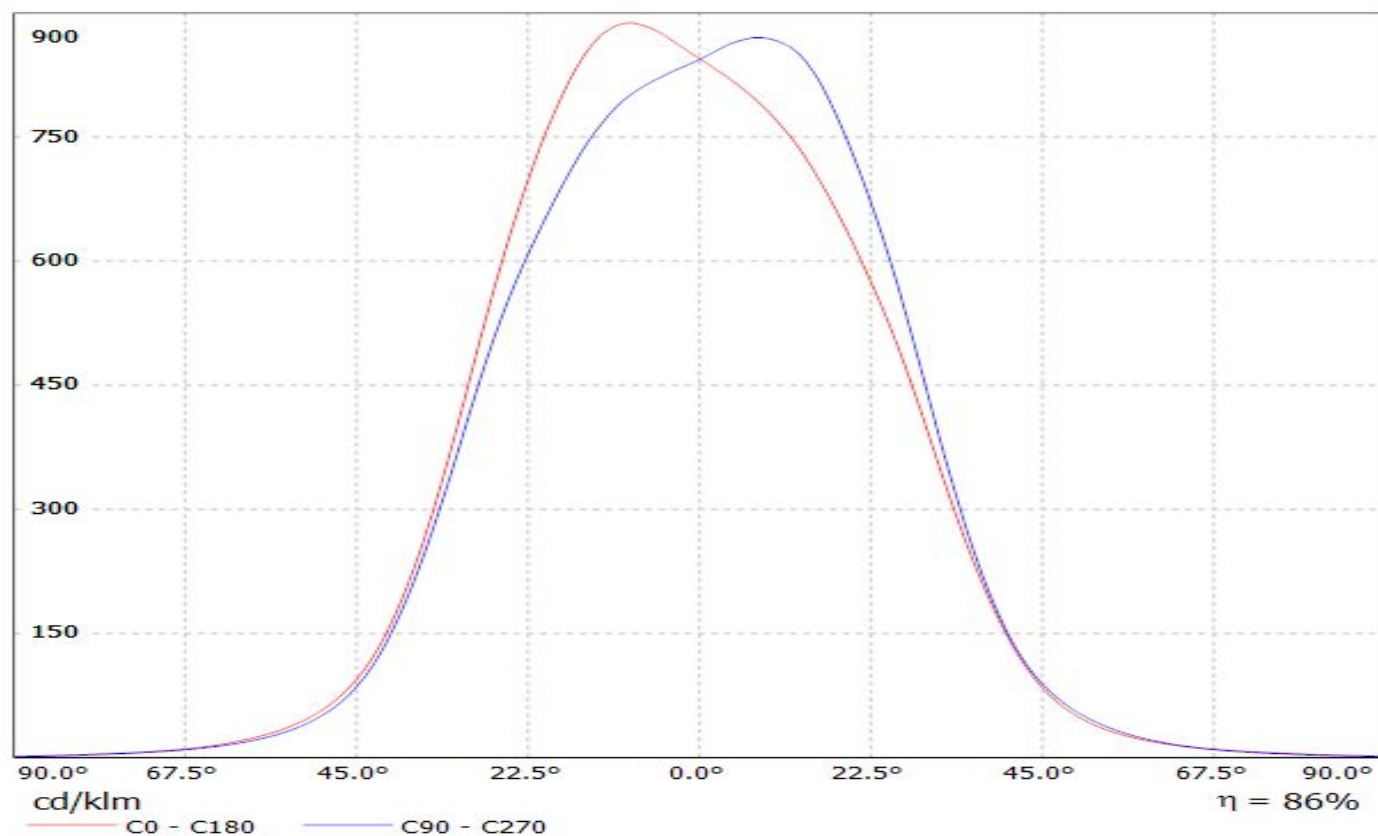
Luminaire: LEDiL Oy C12913_LARISA-WW_(XB-D) Eff.84.3%
Lamps: 1 x CREE XB-D (92.2lm@250mA)



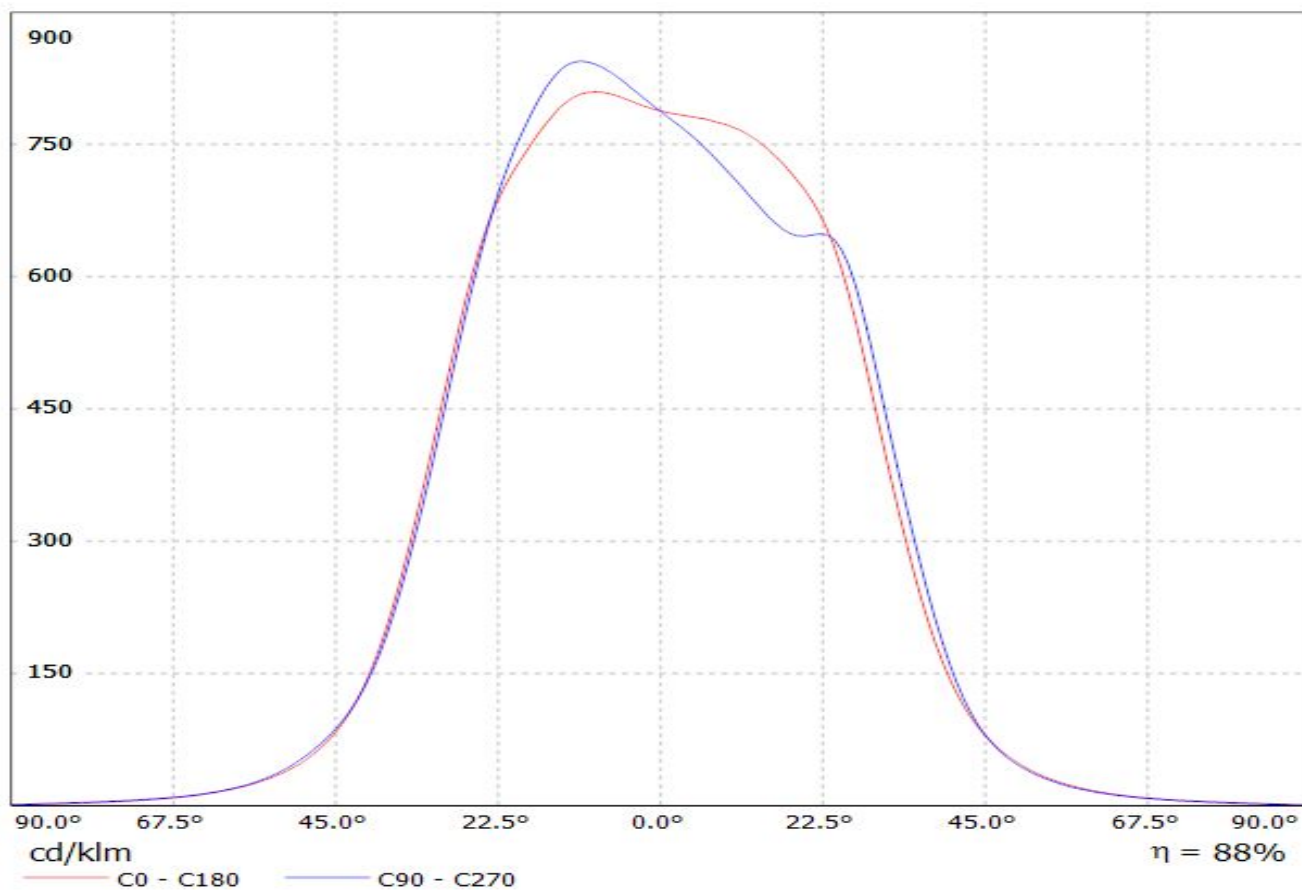
LEDiL Oy C12913_LARISA-WW_(Rebel_ES) Eff.86.4% / LDC (Linear)

Luminaire: LEDiL Oy C12913_LARISA-WW_(Rebel_ES) Eff.86.4%

Lamps: 1 x Rebel ES (91.8116lm@250mA)

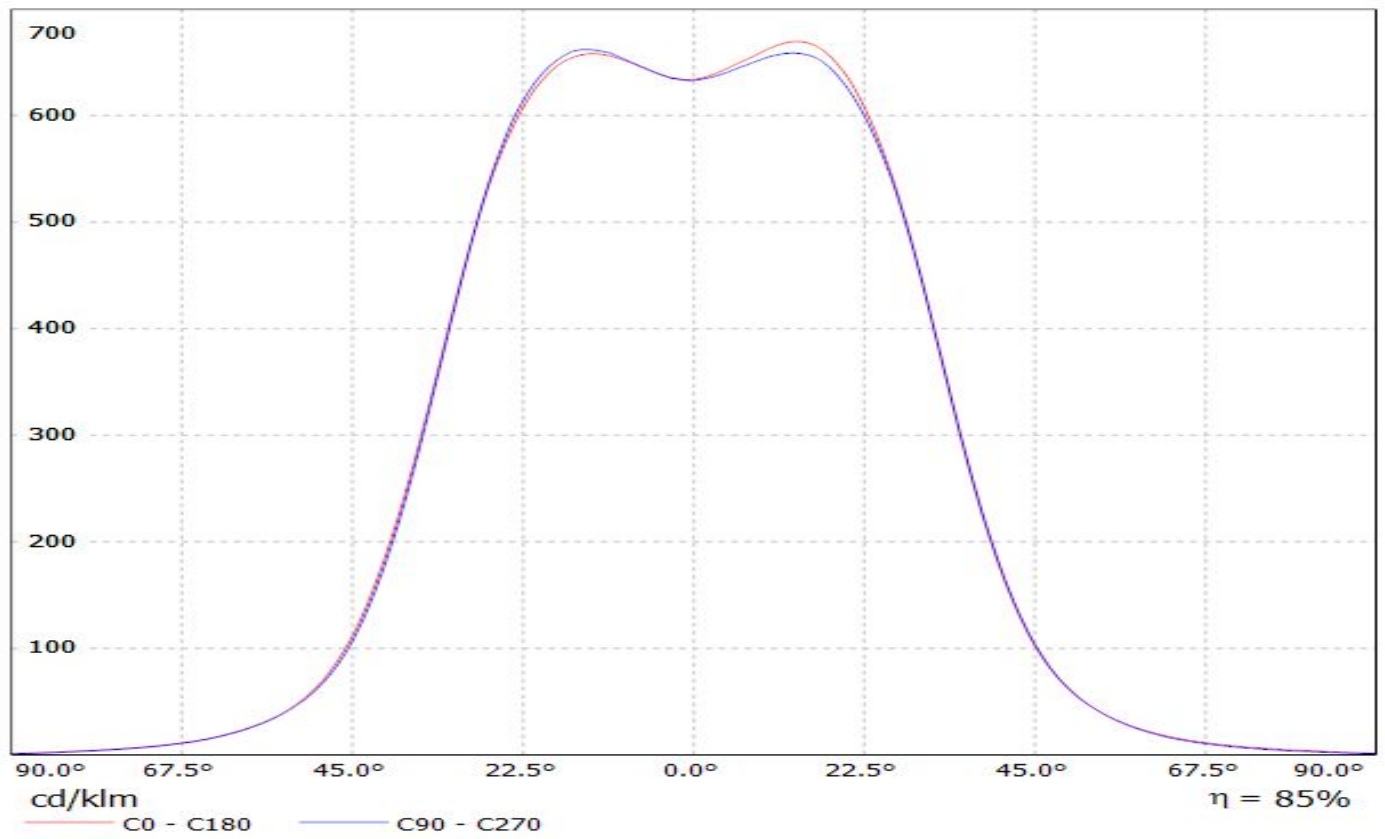


Luminaire: LEDiL Oy LARISA-WW_Rebel_(CLIP8&CLIP16) Eff.87.5%
Lamps: 1 x Rebel (80.8775lm@250mA)



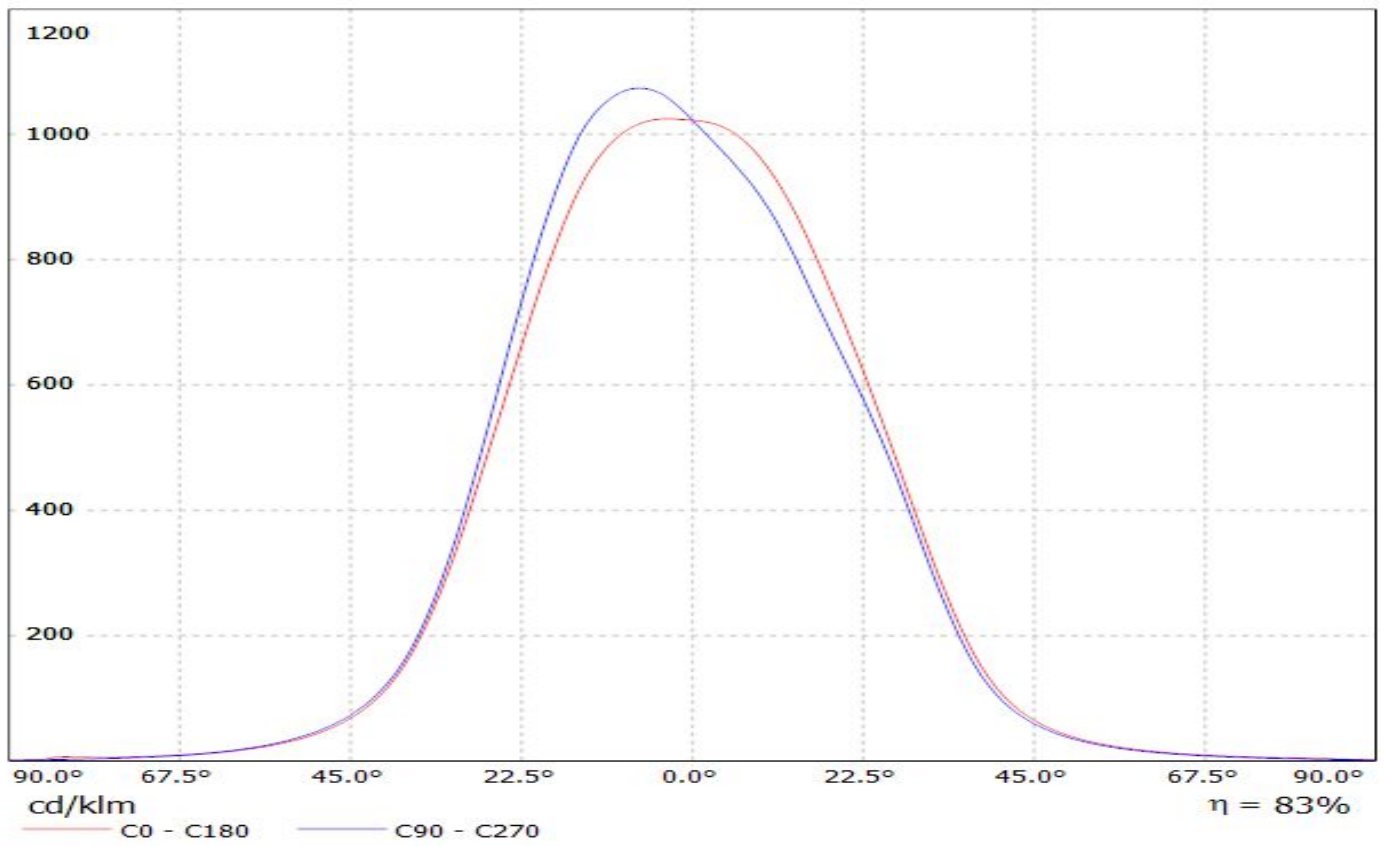
LEDiL Oy C12913_LARISA-WW_(Luxeon_A) Eff.85.5% / LDC (Linear)

Luminaire: LEDiL Oy C12913_LARISA-WW_(Luxeon_A) Eff.85.5%
Lamps: 1 x Luxeon_A (66.4lm@250mA)



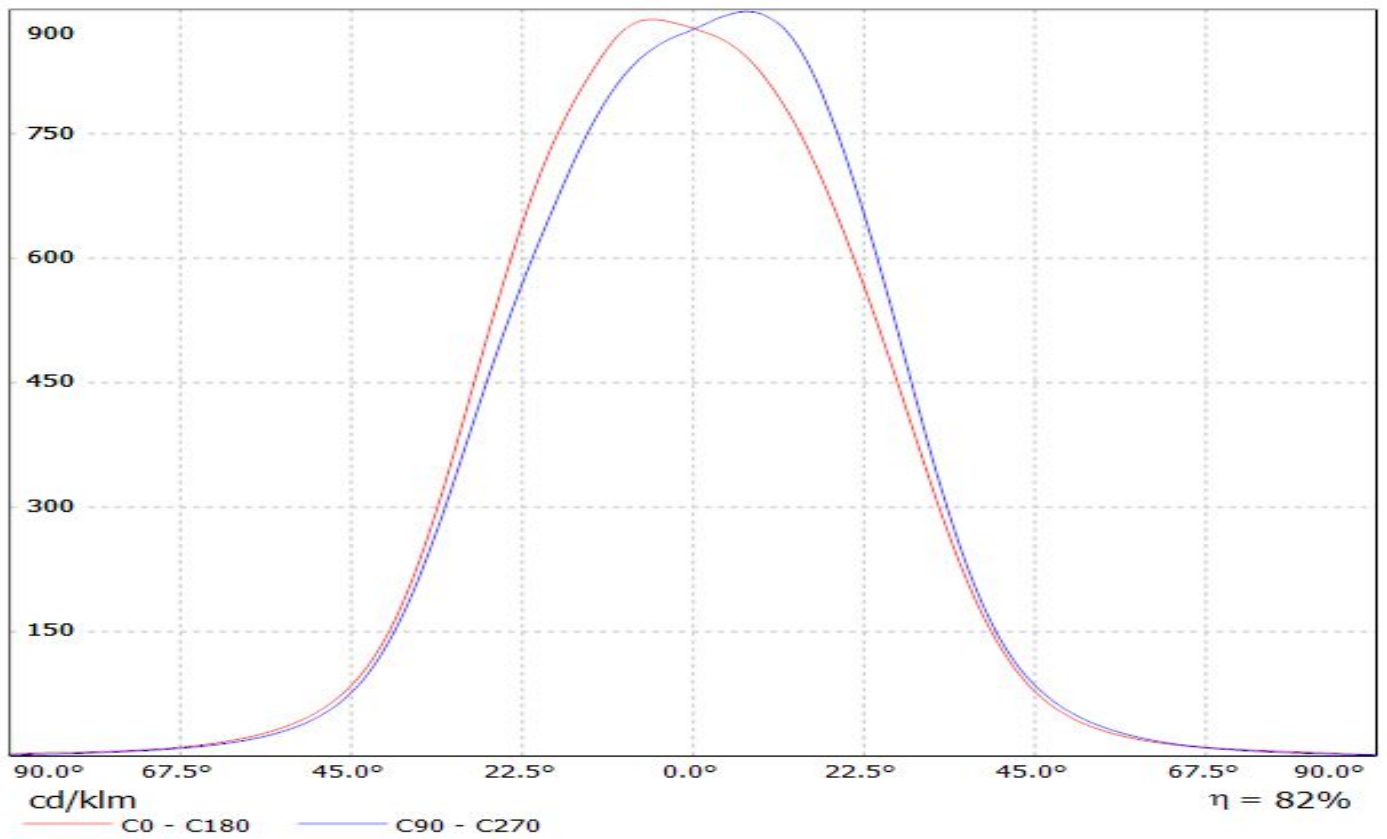
LEDiL Oy C12913_LARISA-WW_(NCS19) Eff.83.4% / LDC (Linear)

Luminaire: LEDiL Oy C12913_LARISA-WW_(NCS19) Eff.83.4%
Lamps: 1 x Nichia NCS19 (88lm@250mA)



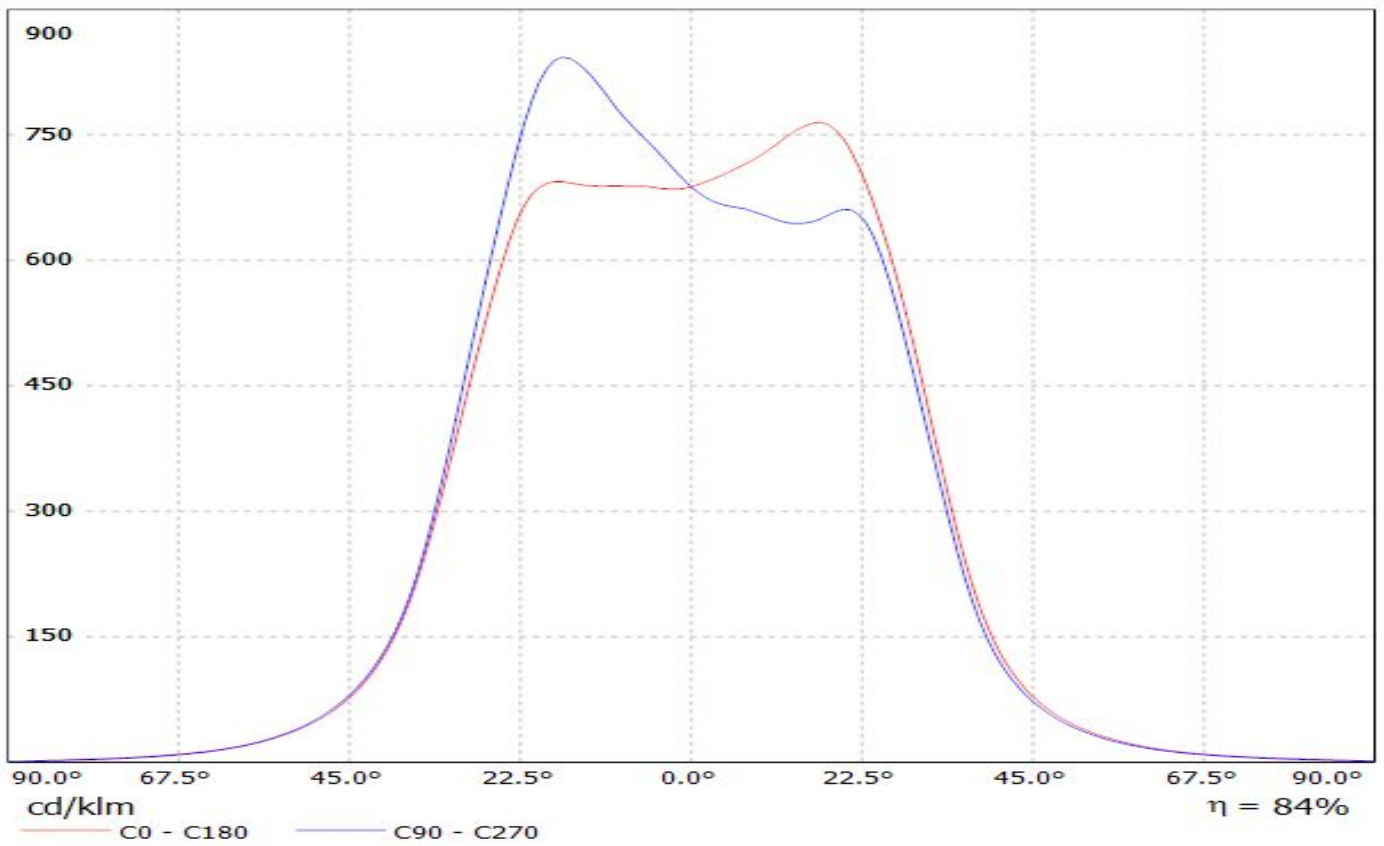
LEDiL Oy C12913_LARISA-WW_(NVS19) Eff.82.3% / LDC (Linear)

Luminaire: LEDiL Oy C12913_LARISA-WW_(NVS19) Eff.82.3%
Lamps: 1 x Nichia NVS19 (97.5lm@250mA)

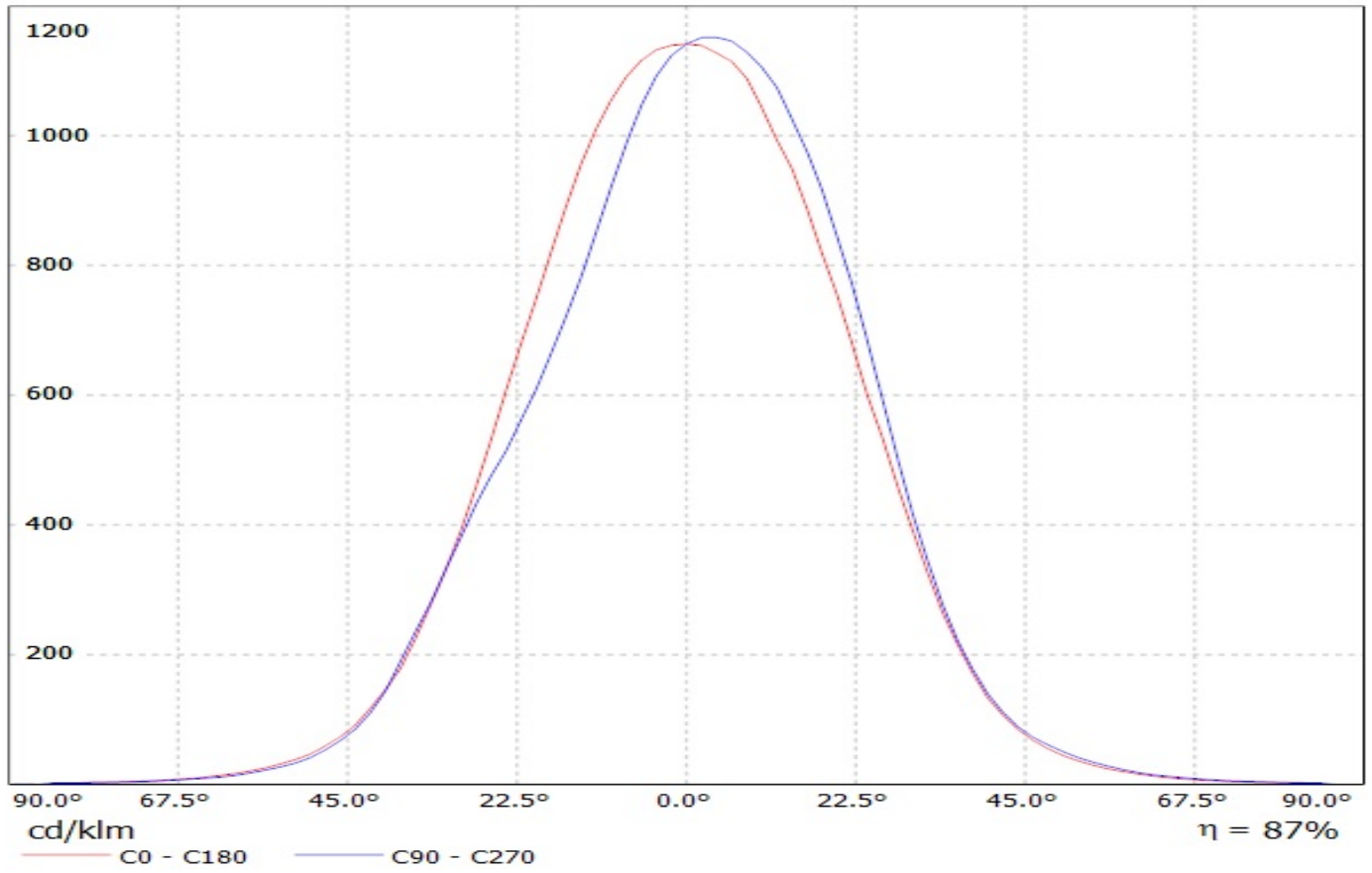


LEDiL Oy C12913_LARISA-WW_(SSL80) Eff.84.2% / LDC (Linear)

Luminaire: LEDiL Oy C12913_LARISA-WW_(SSL80) Eff.84.2%
Lamps: 1 x Osram SSL80 (81.3lm@250mA)



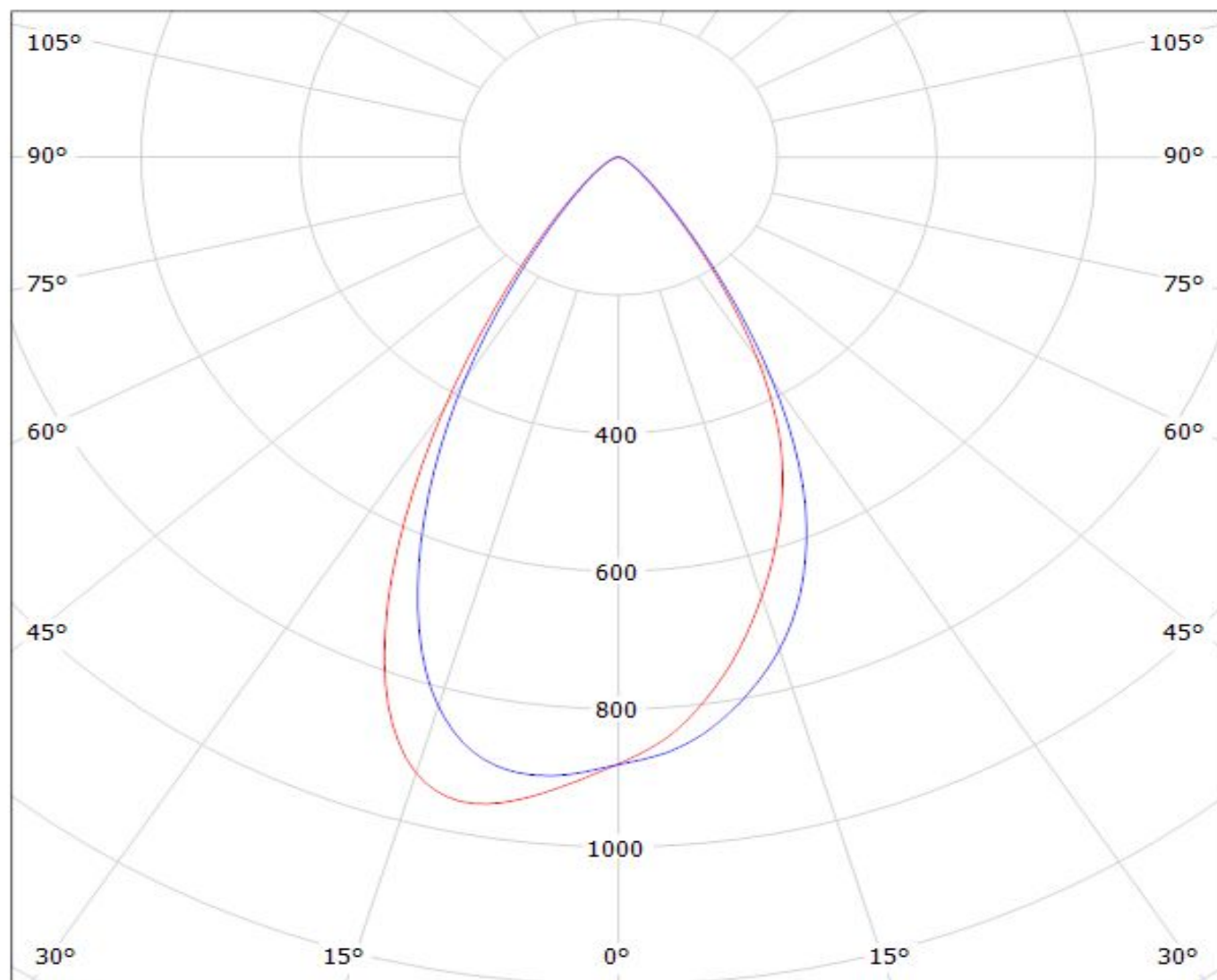
Luminaire: LEDil Oy CP12946_LARISA-WW-CLIP8_(DURIS_S5) Efficiency=86%
Lamps: 1 x Osram Duris S5 /GW PSLPS1.EC) 102lm @ 150mA CCT=6300K P=1.0W I=150mA



LEDiL Oy C12913_LARISA-WW_(XB-D) Eff.84.3% / LDC (Polar)

Luminaire: LEDiL Oy C12913_LARISA-WW_(XB-D) Eff.84.3%

Lamps: 1 x CREE XB-D (92.2lm@250mA)



cd/klm

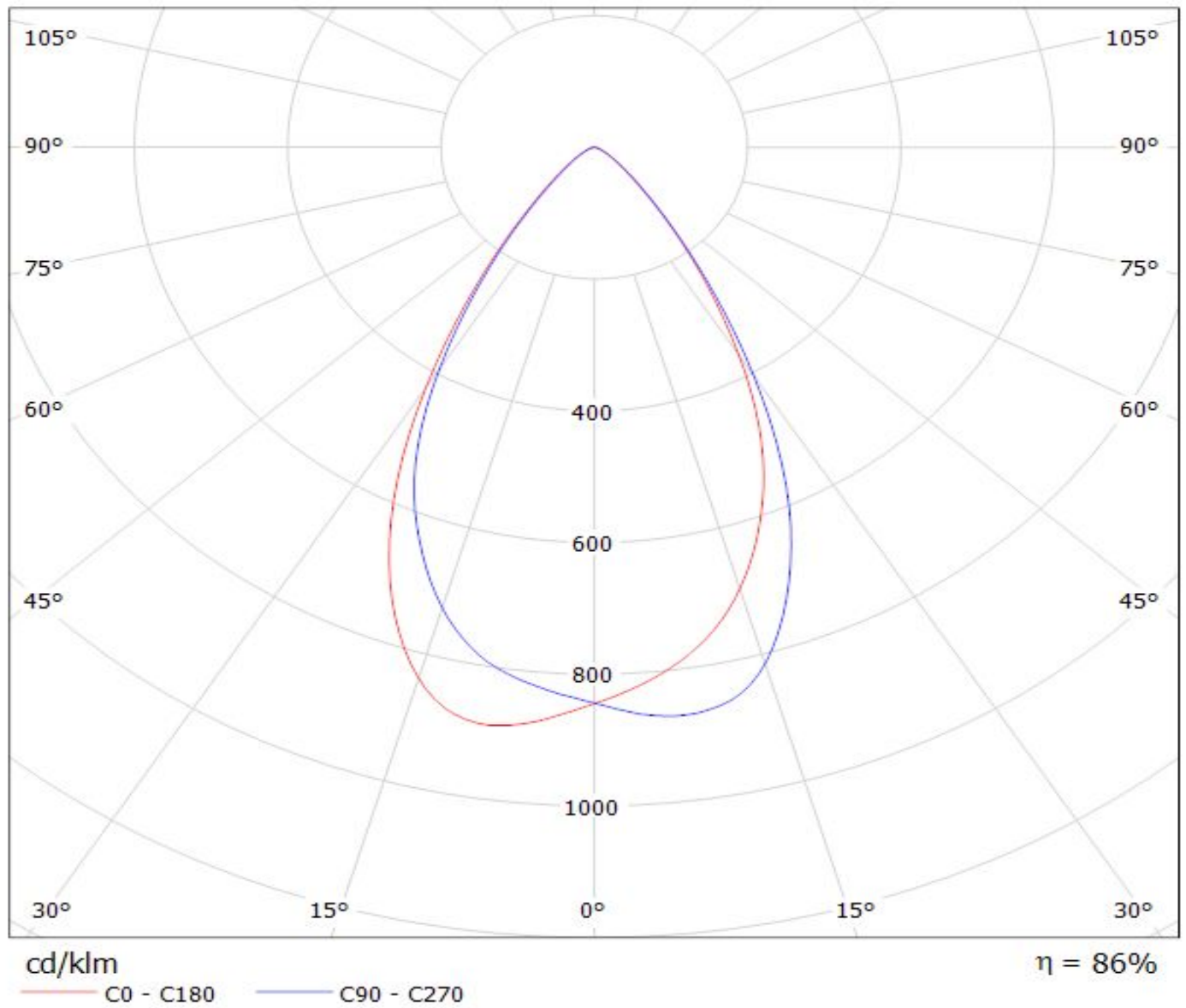
— C0 - C180

— C90 - C270

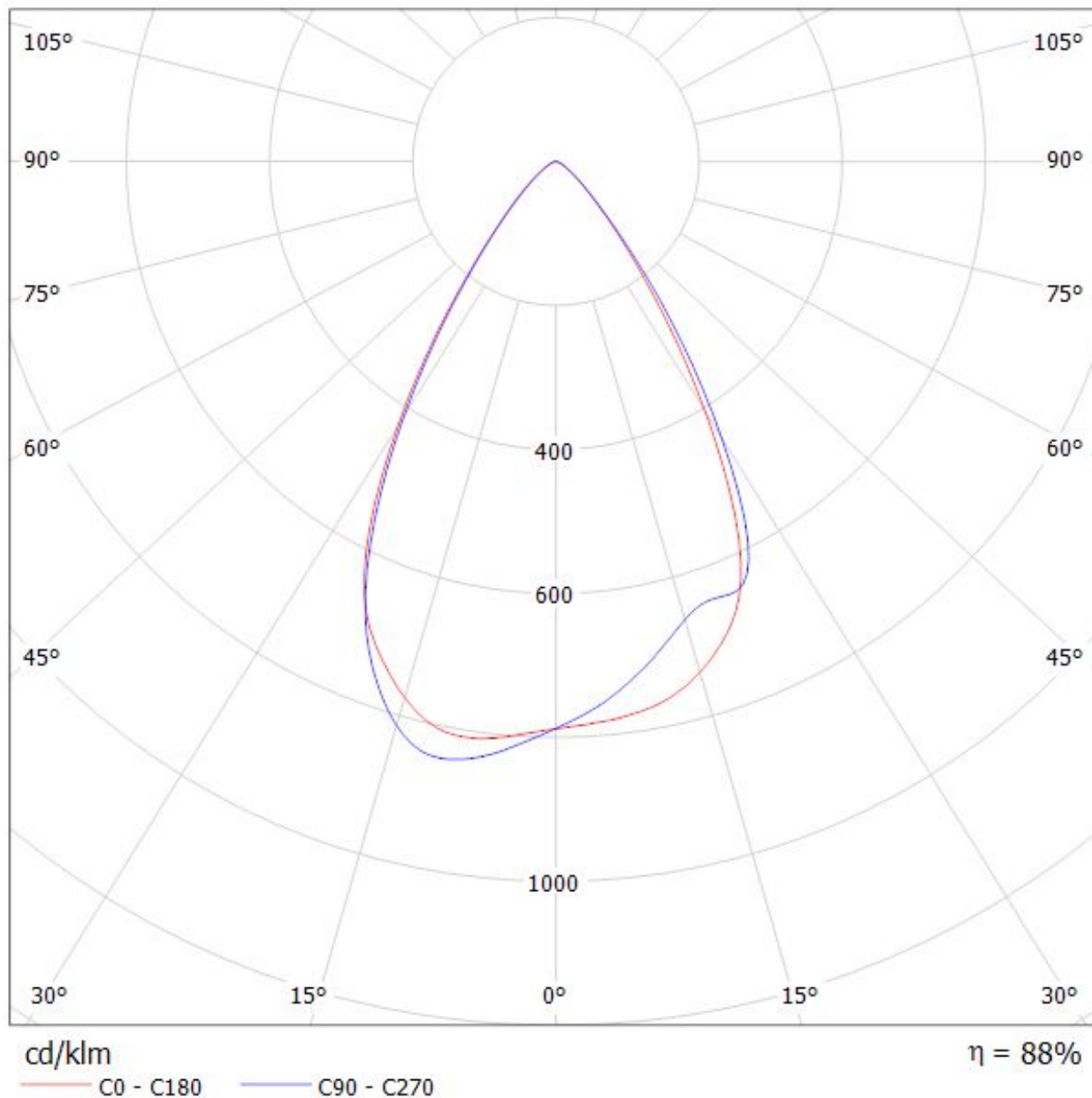
$\eta = 84\%$

LEDiL Oy C12913_LARISA-WW_(Rebel_ES) Eff.86.4% / LDC (Polar)

Luminaire: LEDiL Oy C12913_LARISA-WW_(Rebel_ES) Eff.86.4%
Lamps: 1 x Rebel ES (91.8116lm@250mA)

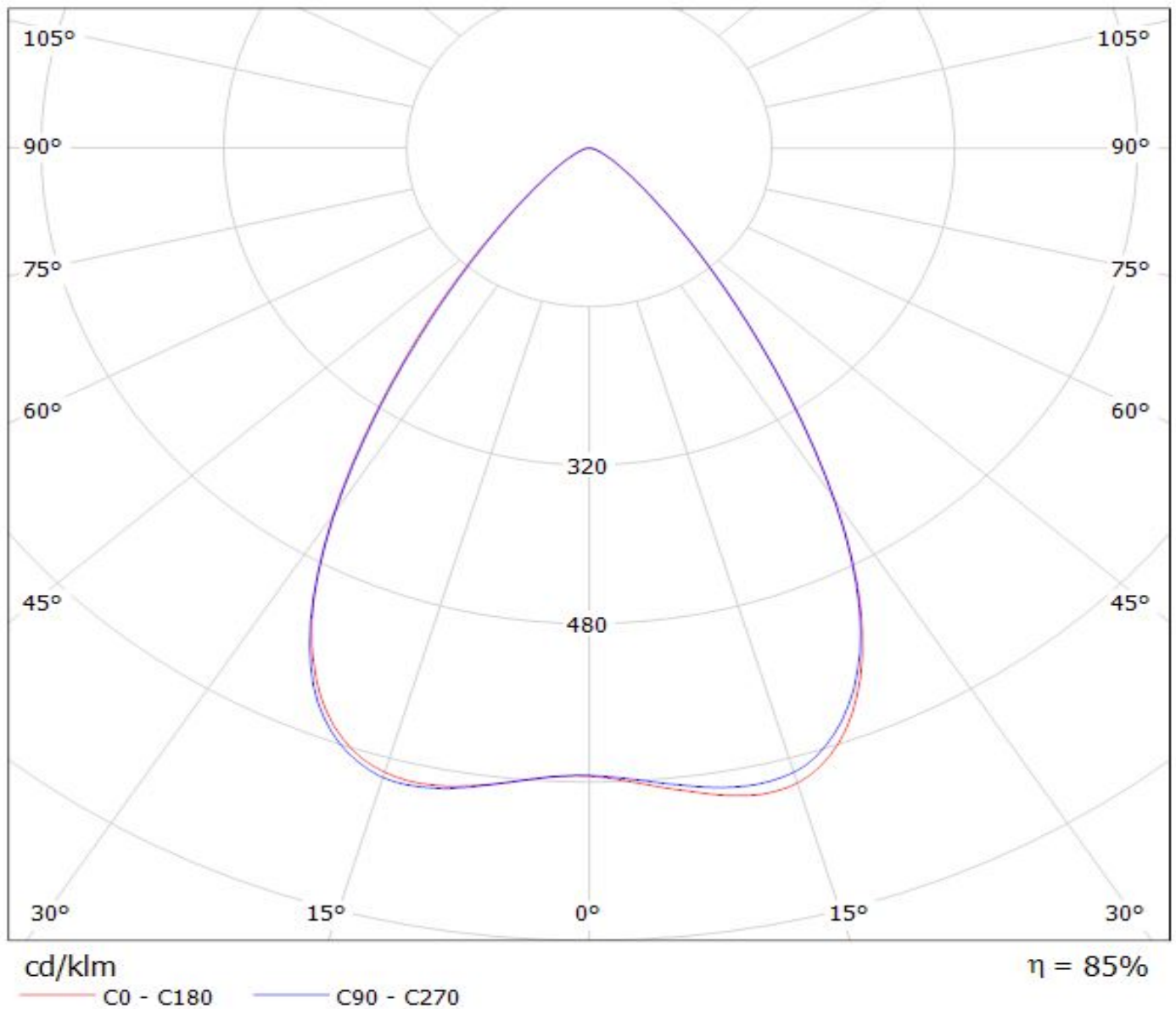


Luminaire: LEDiL Oy LARISA-WW_Rebel_(CLIP8&CLIP16) Eff.87.5%
Lamps: 1 x Rebel (80.8775lm@250mA)



LEDiL Oy C12913_LARISA-WW_(Luxeon_A) Eff.85.5% / LDC (Polar)

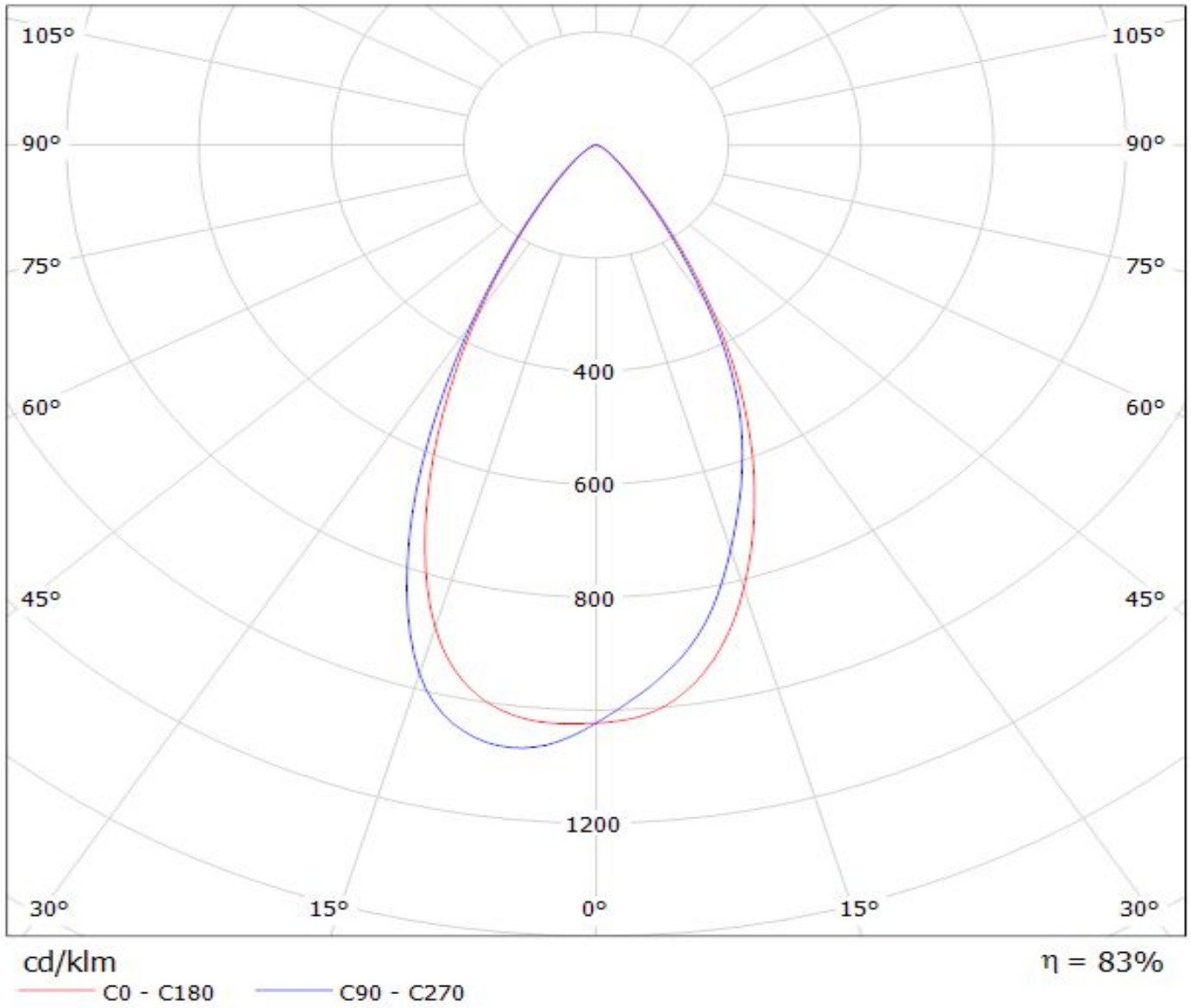
Luminaire: LEDiL Oy C12913_LARISA-WW_(Luxeon_A) Eff.85.5%
Lamps: 1 x Luxeon_A (66.4lm@250mA)



LEDiL Oy C12913_LARISA-WW_(NCS19) Eff.83.4% / LDC (Polar)

Luminaire: LEDiL Oy C12913_LARISA-WW_(NCS19) Eff.83.4%

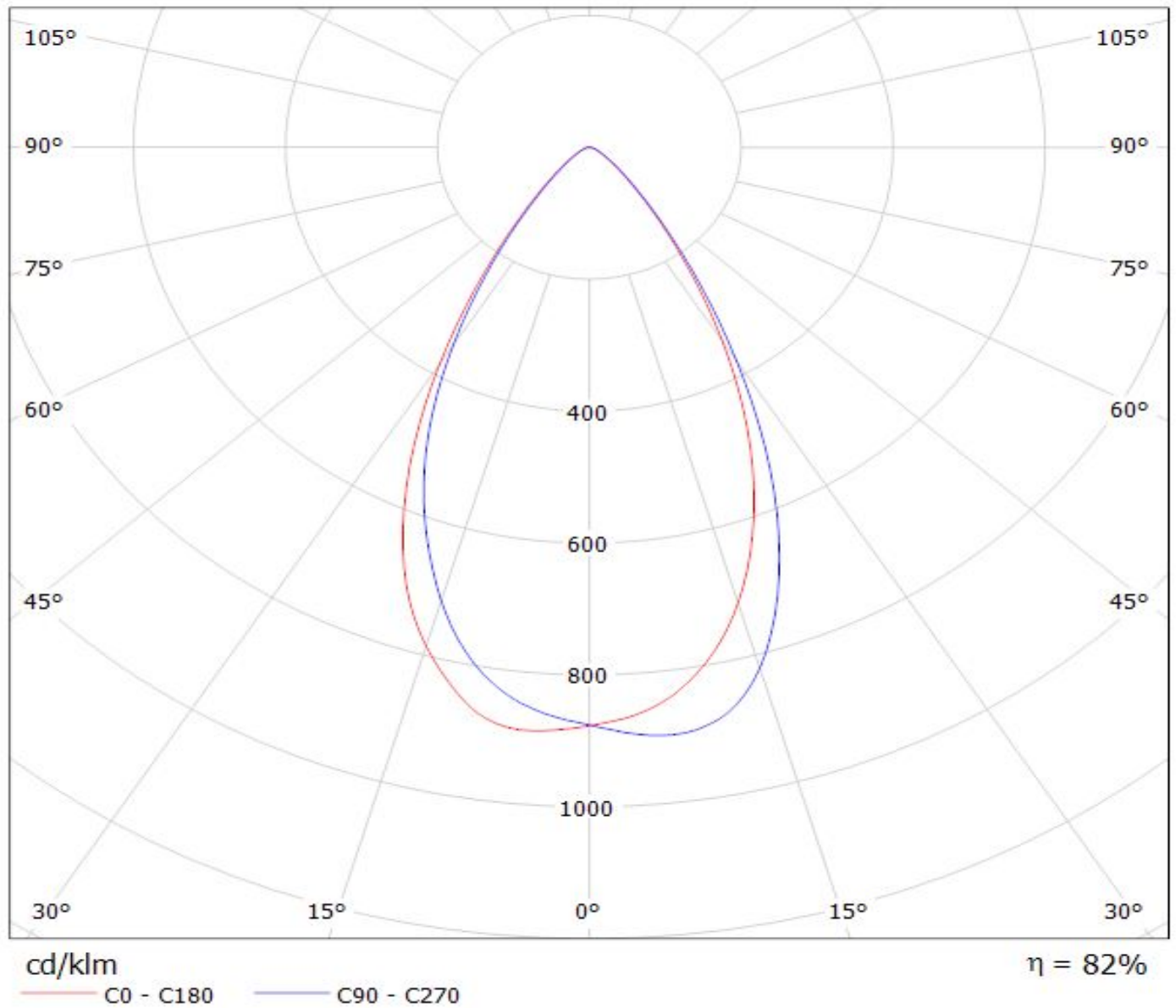
Lamps: 1 x Nichia NCS19 (88lm@250mA)



LEDiL Oy C12913_LARISA-WW_(NVS19) Eff.82.3% / LDC (Polar)

Luminaire: LEDiL Oy C12913_LARISA-WW_(NVS19) Eff.82.3%

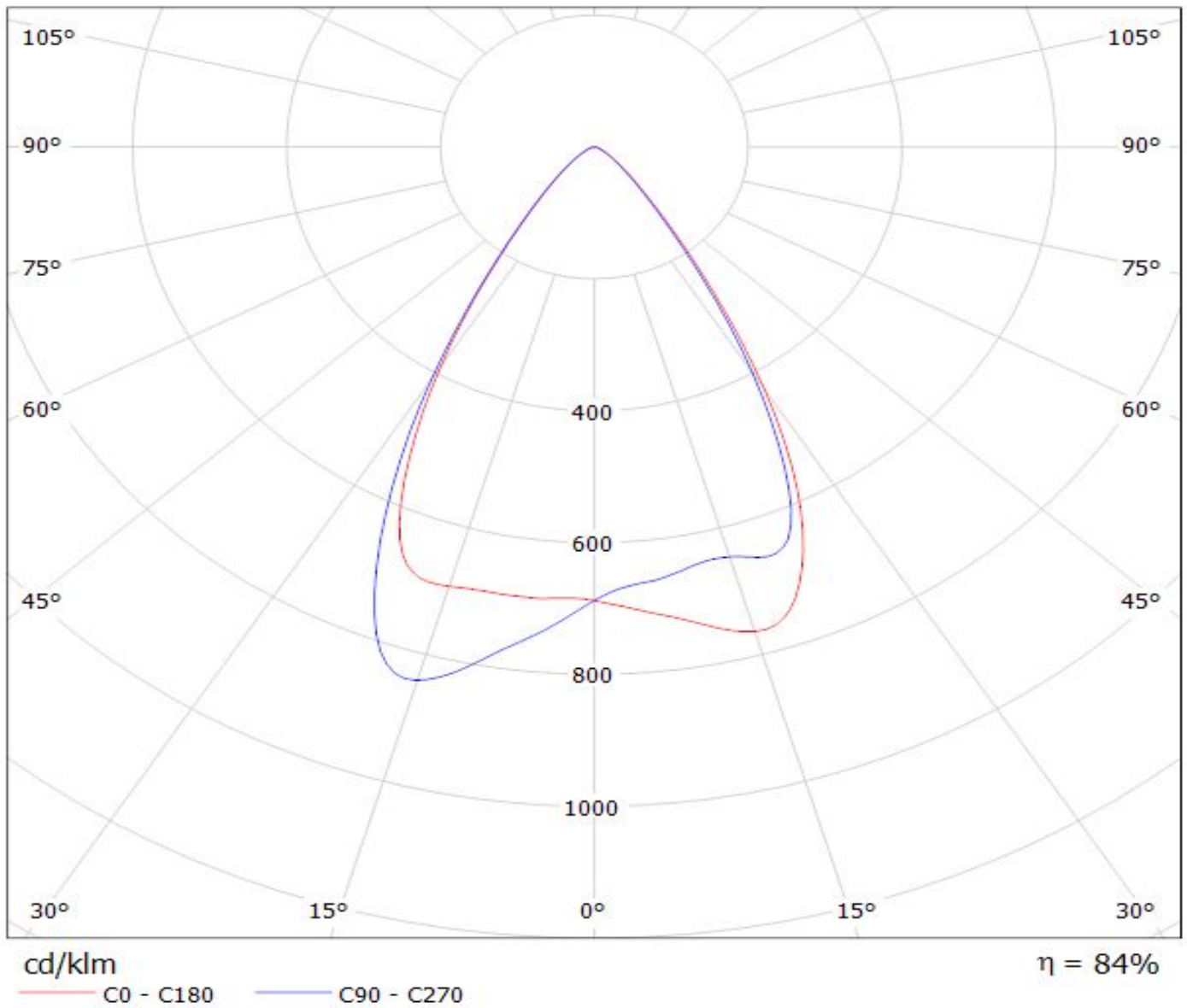
Lamps: 1 x Nichia NVS19 (97.5lm@250mA)



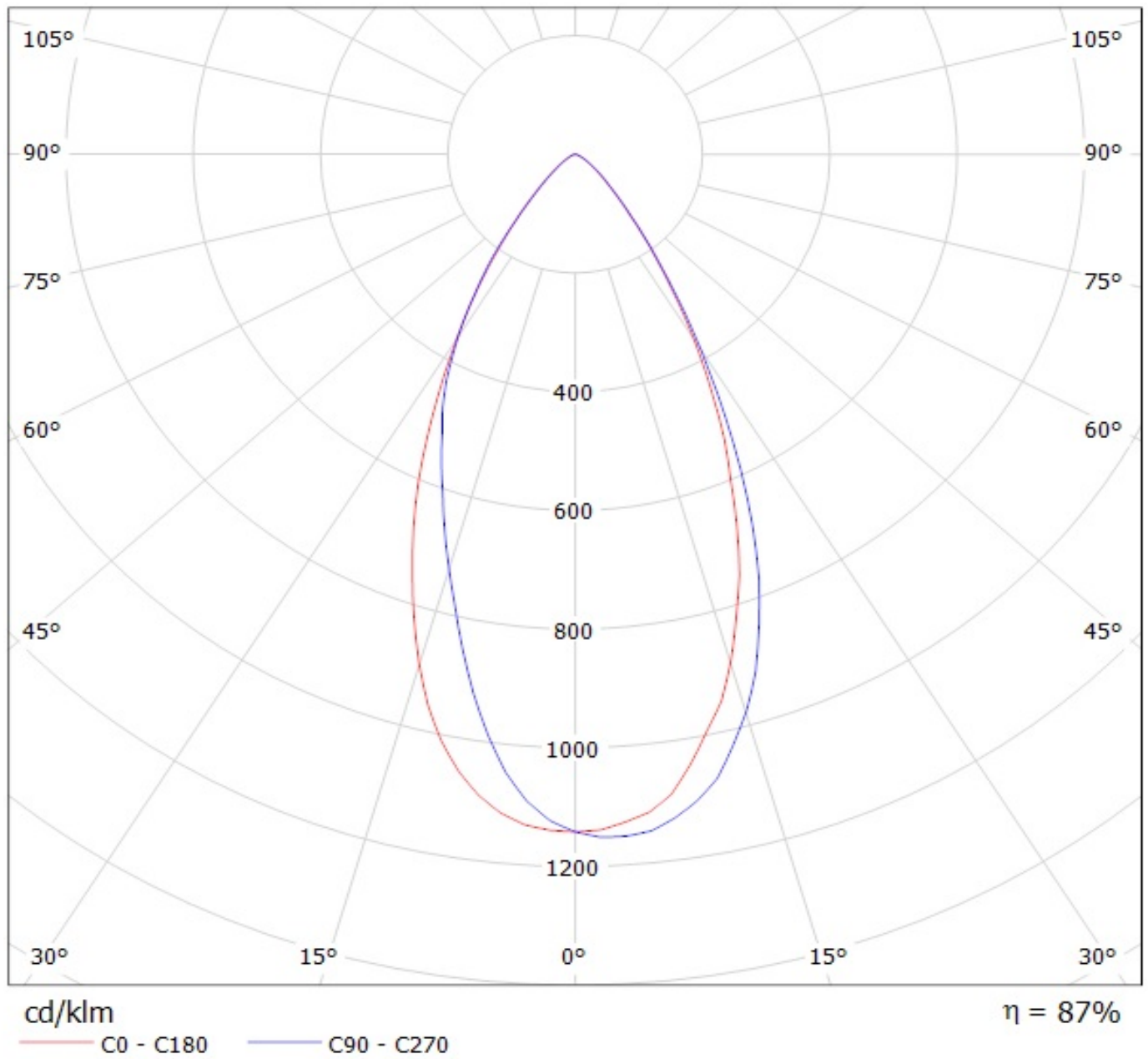
LEDiL Oy C12913_LARISA-WW_(SSL80) Eff.84.2% / LDC (Polar)

Luminaire: LEDiL Oy C12913_LARISA-WW_(SSL80) Eff.84.2%

Lamps: 1 x Osram SSL80 (81.3lm@250mA)



Luminaire: LEDil Oy CP12946_LARISA-WW-CLIP8_(DURIS_S5) Efficiency=86%
Lamps: 1 x Osram Duris S5 /GW PSLPS1.EC) 102lm @ 150mA CCT=6300K P=1.0W I=150mA



NOTE: The typical divergence will be changed by different color, chip size and chip position tolerance. The typical total divergence is the full angle measured where the luminous intensity is half of the peak value.