

Data sheet

Commercial Art.No.: 92.232.2064.2

Cable assembly GST18i3K1-S 15H 20WS

GST18i3 extension cable male - free end, length 2.0 m, 3 pole, coding mains 250 V , 16 A, coding color white, strain relief color white, cable color white, cross section 1.5 mm², cable type H05Z1Z1-F, fire class: Eca



Commercial Art.No.	92.232.2064.2
EAN	4015573581197
Order Unit	1

Certificates / Approvals



Technical data

General

Rated current	16 A
Rated voltage	250 V
Rated impulse voltage	4 kV
Pollution degree	2
Mechanical coding	Code 1
Lockable	self-locking (unlocking by tool)
Color of coding/ contact carrier	white
Marking of poles	L, N, PE
Color of housing inclusive strain relief	white

Model

Nominal cross section conductor	1.5 mm ²
Degree of protection (IP)	IP20
Wire strip length	9 mm
sheath strip length	37 mm
Preparation of conductor ends	ultrasonically compressed wire ends
Cable type	H05Z1Z1-F
Cable color	white
Cable diameter max.	8 mm
Version of cable	male - free end
Type of cord set	connection cable
Version cable end 1	free end

Version cable end 2	GST18i3 plug
---------------------	--------------

Material

Surface finish	Tin-plated
halogen free	yes
Continuous temperature of cable	70 °C
Insulation components continuous temperature	100 °C
Fire load	0.836 kWh
Fire class	Eca

Dimensions

Total length	2 m
--------------	-----

Classification

ECLASS 11	
ECLASS 8.1	27440604
ETIM 7.0	EC002587
ETIM 6.0	EC002587
ETIM 5.0	EC002587
ETIM 4.0	EC002587

Product compliance

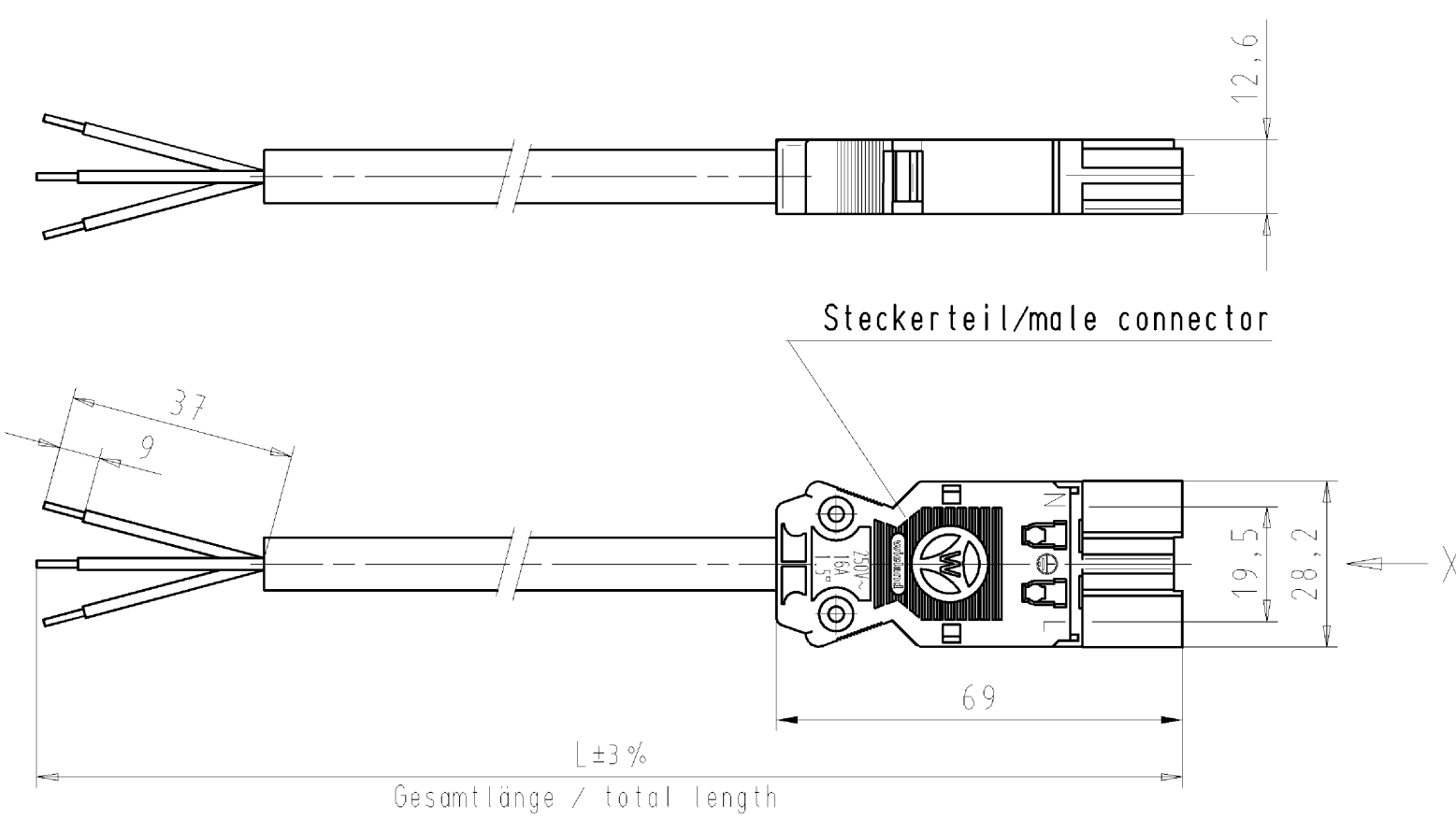
ROHS conformity status	Compliant/Exempted
ROHS exceptions	III-6(c)
REACH-SVHC conformity status	Duty-To-Declare
REACH-SVHC substances	Lead
REACH-SVHC CAS numbers	7439-92-1

Accessories

Commercial Art.No.:	Article-type description:	Description:
05.587.3156.0	Lock (G)ST18 WS	Locking device for cable to cable connection GST18i3-5, white
06.561.7853.0	mounting frame GST18i3 SW	Mounting frame to snap in GST18i3 connectors into a housing or furniture. Wall thickness: 1,5-2,5 mm. Holds GST18i3 connectors with screw or spring connection and pre- assembled cables.
05.561.3653.0	cover cap GST18i3VS B WS	Cover piece for female GST18i3, white
05.561.3653.1	cover cap GST18i3VS B SW	Cover piece for female GST18i3, black
05.564.5353.0	cover cap GST18i3/4/5 SW	Cover piece 12 pole black for female parts GST18i3-6
05.564.5353.2	cover cap GST18i3/4/5 WS	Cover piece 12 pole white for female parts GST18i3-6
05.594.4250.0	cover cap ST18/3B + GST18i3 ST WS	
05.594.4253.0	cover cap ST18/3B + GST18i3 ST WS	
05.587.3156.1	Lock (G)ST18 SW	Locking device for cable to cable connection GST18i3-5, black
06.560.0300.0	mounting part GST18i3 SW	Lock system to provide accidental disconnection of "flying donnections" and to fix these connections to cable ladders or cable trays. Reduction of shearing forces on the strain reliefs Colour: black

These dimensions will be especially checked at delivery
 Only inspection dimensions
 With /E marked dimensions are only valid for internal use

Diese Maße werden bei Abnahme besonders geprüft
 Ausschließlich Prüfmaße
 Mit /E gekennzeichnete Maße sind nur für interne Zwecke gültig



Kabel/cable: H05Z1Z1-F3G1,5 halogenfrei/hologen-free
 Farbe/colour: siehe Tabelle/see table

.F	Farbe colour	Codierung "X" Stecker male	Kabelfarbe cable colour
.1	schwarz black	L ⊕ N	schwarz black
.2	weiß white	L ⊕ N	weiß white
.3	grau grey	L ⊕ N	schwarz black
.5	rot red	L ⊕ N	schwarz black

Weitergabe sowie Vervielfältigung dieses Dokuments, Verwertung und Verbreitung sind ohne schriftliche Genehmigung der Wieland-Werke AG. The reproduction, distribution and utilization of this document as well as the communication of its contents to others without express authorization is prohibited.

Typ/type: GST1813K1-S 15H.. SW = schwarz/black
 WS = weiß/white
 GR01 = grau/grey
 RT03 = rot/red

Teile-Nr. part-no.	L	Beispiel (Farbe: schwarz) example (colour: black)	Typ type
92.232.XX64.F	XX in dm-Schritten	92.232.1064.1 = 10dm/L= 1000mm	GST1813K1-S 15H 10SW
U2.232.XX64.F	XX in m-Schritten	U2.232.1264.1 = 12 m/L=12000mm	GST1813K1-S 15H X12SW
92.232.XX84.F	XX in dm-Schritten	92.232.1084.1 = 10dm/L= 1000mm	

84.F = spezielle Verpackung und Etikettierung nach A 1960.000
 special packaging and lable according to A 1960.000

Tolerierung Size ISO 14405/Tolerance system Size ISO 14405. (This ISO-standard describes the envelope principle. According to the envelope principle the deviations of form and parallelism are limited by the size tolerances).		ja/yes <input checked="" type="checkbox"/> Stoffverbots- und Deklarationsliste nach UU-TOM-05/03 ist einzuhalten. Conformity with Wieland document UU-TOM-05/03 (list of prohibited / declarable hazardous substances) to be declared!	
Freitoleranz nach General tolerance		CAD - Zeichnung, keine manuellen Änderungen CAD - drawing, no manual modifications allowed	1. Verwendung: - First Use:
Blatt: 1 von 1 Sheet: of 1		Zeichnung Nr./Drawing No. Index	
Werkstoff/Material		2006 Tag/Date Name	T 92.232.0264.1 01K b
Maßstab/Scale		gezeichnet/drawn 20.01. Dvetsch	
%		geprüft/checked - -	Maße in mm/Dimensions are in mm
Vol. mm ³ Ofl./Surf. mm ²		Normgepr. Stand. check - -	
b 09.01.2013/ a 12.09.2012/		Ersatz für/Replacement for: -	
Index Datum / Blatt Date / Sheet		Type Benennung/Tittle	
Änderung/Revision		PRE-ASSEMBLED CABLE KONFEKT_LEITUNG	
Weitere Daten siehe Katalog further data see catalog		Stecker/male - freies Ende/free end 1,5qmm crimpversion K1 250V halogen-free	

922320264101K_2 CADW3027 Dvetsch 2013-01-10T08:03:23 1.000