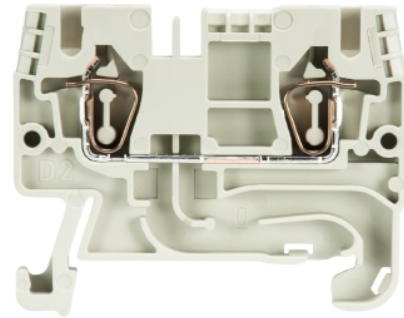


## Data sheet

Commercial Art.No.: 56.703.0055.0

Feed-through terminal WKFN 2,5 /35

Feed-through terminal with tension spring connection for mounting on TS35, nominal cross section: 2.5 mm<sup>2</sup>, width: 5 mm, color: grey



Commercial Art.No.	56.703.0055.0
EAN	4015573718326
Order Unit	100

Certificates / Approvals



CAN-EX



PTB



USA-EX



## Technical data

### General

Nominal cross section	2.5 mm <sup>2</sup>
Color	Grey
Number of levels	1
Number of clamp positions per level	2
Width/grid dimension	5 mm
Insulating housing	PA666
Inflammability class of insulation material acc. with UL94	V0
Explosion-tested version "Ex e"	yes
Mounting method	DIN rail (top hat rail) 35 mm
Terminal blocks for electrical installations	yes

### Technical data

Rated current	24 A
Rated voltage	800 V
Rated impulse voltage	8 kV
Pollution degree	3
Closing plate required	yes
Type of insulation material	Thermoplastic
Length	47.1 mm
Width	5 mm

### Connection Data

Connection type 1	spring clamp connection
Connection type 2	spring clamp connection
Minimum cross section solid	0.13 mm <sup>2</sup>

Maximum cross section solid	4 mm <sup>2</sup>
Minimum cross section fine stranded	0.13 mm <sup>2</sup>
Maximum cross section fine stranded	2.5 mm <sup>2</sup>
Wire strip length	11 mm

#### Technical Data UL/CSA

Cross section UL	22-12 AWG
Voltage UL	600 V
Current factory wiring	20 A
Current field wiring	20 A
Cross section CSA	24-12 AWG
Voltage CSA	600 V
Current CSA	24 A

#### Classification

ECLASS 11	
ECLASS 8.1	27141120
ETIM 7.0	EC000897
ETIM 6.0	EC000897
ETIM 5.0	EC000897
ETIM 4.0	EC000897

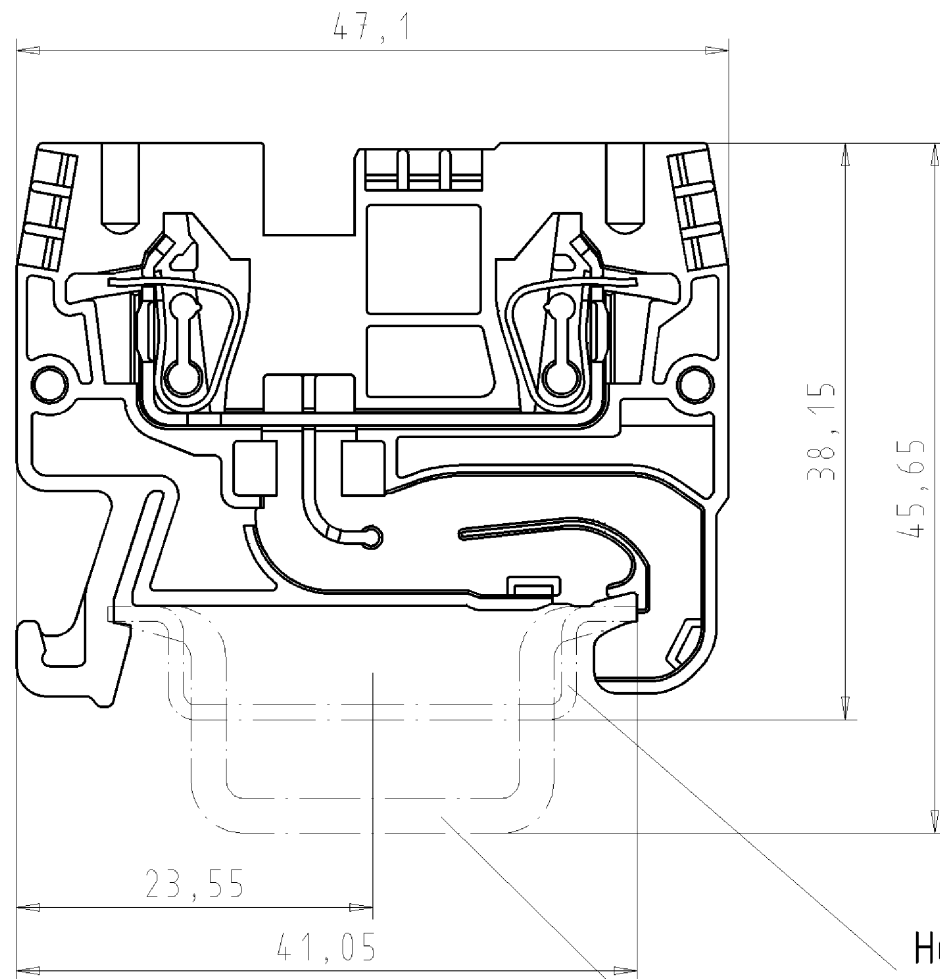
#### Product compliance

ROHS conformity status	Compliant
REACH-SVHC conformity status	Compliant

#### Accessories

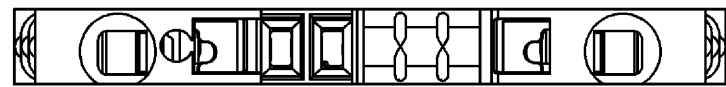
Commercial Art.No.:	Article-type description:	Description:
Z7.280.6227.0	Jumper bar IVBWKF 2,5- 2	Cross connector, insulated for DIN rail terminal blocks type WKF..., 2 - pole
Z7.280.6327.0	Jumper bar IVBWKF 2,5- 3	Cross connector, insulated for DIN rail terminal blocks type WKF..., 3 - pole
Z7.280.6427.0	Jumper bar IVBWKF 2,5- 4	Cross connector, insulated for DIN rail terminal blocks type WKF..., 4 - pole
Z7.280.6527.0	Jumper bar IVBWKF 2,5- 5	Cross connector, insulated for DIN rail terminal blocks type WKF..., 5 - pole
Z7.280.6627.0	Jumper bar IVBWKF 2,5- 6	Cross connector, insulated for DIN rail terminal blocks type WKF..., 6 - pole
Z7.280.6727.0	Jumper bar IVBWKF 2,5- 7	Cross connector, insulated for DIN rail terminal blocks type WKF..., 7 - pole
Z7.280.6827.0	Jumper bar IVBWKF 2,5- 8	Cross connector, insulated for DIN rail terminal blocks type WKF..., 8 - pole
Z7.280.6927.0	Jumper bar IVBWKF 2,5- 9	Cross connector, insulated for DIN rail terminal blocks type WKF..., 9 - pole
Z7.280.7027.0	Jumper bar IVBWKF 2,5- 10	Cross connector, insulated for DIN rail terminal blocks type WKF..., 10 - pole
98.300.0000.0	Mounting rail TS 35x7,5 UNPERF - l:2000mm	Mounting rail TS 35, unslotted, size 7,5 mm, length 2 m, material steel. galv. zinc-plated and dichromated
98.300.1000.0	Mounting rail TS 35x7,5 PERF 15mm - l:2000mm	Mounting rail TS 35, slotted, size 7,5 mm, length 2 m, material steel. galv. zinc-plated and dichromated

98.300.1900.0	Mounting rail TS 35x7,5 PERF 25mm - l:2000mm	Mounting rail TS 35, slotted, size 7,5 mm, length 2 m, material steel. galv. zinc-plated and dichromated
98.360.0000.0	Mounting rail TS 35x15-2,3 UNPERF - l:2000mm	Mounting rail TS 35, unslotted, size 15 mm, length 2 m, material steel. galv. zinc-plated and dichromated
98.360.0004.0	Mounting rail TS 35x15-2,3 UNPERF FZN - l:2000mm	Mounting rail TS 35, unslotted, size 15 mm, length 2 m, material steel, hot galvanized
98.370.0000.0	Mounting rail TS 35x15 UNPERF - l:2000mm	Mounting rail TS 35, unslotted, size 15 mm, length 2 m, material steel. galv. zinc-plated and dichromated
98.370.1000.0	Mounting rail TS 35x15 PERF 15mm - l:2000mm	Mounting rail TS 35, slotted, size 15 mm, length 2 m, material steel. galv. zinc-plated and dichromated
98.380.0000.0	Mounting rail TS 35x15-2,3 UNPERF CU - l:2000mm	Mounting rail TS 35, unslotted, size 15 mm, length 2 m, material E copper
04.343.8353.8	Warning cover ADF.../4 GELB	Cover with warning symbol for DIN rail terminal blocks type WKF ...
07.312.6755.0	End plate APFN 2,5 /35	End plate for DIN rail terminal blocks type WKFN 2,5..., color: grey
07.312.6755.6	End plate APFN 2,5 /35 BLAU	End plate for DIN rail terminal blocks type WKFN 2,5..., color: blue
07.312.6855.0	Partition TWFN 2,5 /35	Partition for DIN rail terminal blocks type WKFN 2,5..., color: grey
Z7.280.7127.0	Jumper bar IVBWKF 2,5- 11	Cross connector, insulated for DIN rail terminal blocks type WKF..., 11 - pole
Z7.280.7227.0	Jumper bar IVBWKF 2,5- 12	Cross connector, insulated for DIN rail terminal blocks type WKF..., 12 - pole
Z7.280.8027.0	Jumper bar IVBWKF 2,5- 20	Cross connector, insulated for DIN rail terminal blocks type WKF..., 20 - pole
98.300.1800.0	Mounting rail TS 35x7,5 PERF 18mm - l:2000mm	Mounting rail TS 35, slotted, size 7,5 mm, length 2 m, material steel. galv. zinc-plated and dichromated
05.564.3755.0	Wire entry guides LEL 2,5/1 white	Wire entry guides for wires with a nominal cross section of 0.13mm <sup>2</sup> -0.20mm <sup>2</sup> , color: white
05.564.3855.0	Wire entry guides LEL 2,5/1 gray	Wire entry guides for wires with a nominal cross section of 0.25mm <sup>2</sup> -0.5mm <sup>2</sup> , color: grey
05.564.3955.0	Wire entry guides LEL 2,5/1 black	Wire entry guides for wires with a nominal cross section of 0.75mm <sup>2</sup> -1.0mm <sup>2</sup> , color: black
04.242.5053.0	Marking tag strips 9705 A / 5 / 10	Marking tag strips for DIN rail terminal blocks type 9700 A / 5..., 10 tags per strip, color: blue, unmarked, markable with Wieplot plotter-system



Hutschiene EN 60715-35x7,5  
mounting rail EN 60715-35x7,5

Hutschiene EN 60715-35x15  
mounting rail EN 60715-35x15



Weitere Daten siehe Katalog  
further data see catalog

a

Teile - Nr. part-no.	Farbe colour	Typ type
56.703.0055.0	grau/grey	WKFN 2,5 /35
56.703.0055.1	schwarz/black	WKFN 2,5 /35 SW
56.703.0055.2	weiß/white	WKFN 2,5 /35 WS
56.703.0055.3	schiefergrau/slate grey	WKFN 2,5 /35 GR
56.703.0055.4	braun/brown	WKFN 2,5 /35 BR
56.703.0055.5	rot/red	WKFN 2,5 /35 RT
56.703.0055.6	blau/blue	WKFN 2,5 /35 BL
56.703.0055.7	grün/green	WKFN 2,5 /35 GN
56.703.0055.8	gelb/yellow	WKFN 2,5 /35 GE
56.703.0055.9	orange/orange	WKFN 2,5 /35 OR

Tolerierung nach DIN 7167/Tolerance system acc. to DIN 7167. (This DIN-standard describes the envelope principle. According to the envelope principle the deviations of form and parallelism are limited by the size tolerances).		ja/yes <input checked="" type="checkbox"/> Stoffverbots- und Deklarationsliste nach UU-TQM-05/03 ist einzuhalten. Conformity with Wieland document UU-TQM-05/03 (list of prohibited / declarable hazardous substances) to be declared!	
Freitoleranz nach General tolerance	-	CAD - Zeichnung, keine manuellen Änderungen CAD - drawing, no manual modifications allowed	1. Verwendung: First Use:
			Blatt: 1 von 1 Sheet: of 1
	Werkstoff/Material	2003 Tag/Date	Name
		gezeichnet drawn	15.05. Lunz S.
	Maßstab/Scale	geprüft checked	
	2:1	Normgepr. Stand. check	
	Vol. mm <sup>3</sup> Ofl./Surf. mm <sup>2</sup>	Ersatz für/Replacement for: -	
		Type	Benennung/Title
a	22.08.2007/	Typ	DURCHGANGSKLEMME
Index	Datum / Blatt Date / Sheet	Elektrische Verbindungen	terminals
Änderung/Revision		Typ siehe Tabelle	

Weitergabe sowie Vervielfältigung dieses Dokuments, Verwertung und Mitteilung seines Inhalts sind verboten, soweit nicht ausdrücklich gestattet. Die Reproduktion, Distribution und Utilization of this document as well as the communication of its contents to others without express authorization is prohibited.

567030055001K\_4\_CADW1044\_treschan.2007-08-24T08:47:03 1.000