

REVISION RECORD				
REV	ECN	DESCRIPTION	DRFT	DATE

Technical characteristics:

Specifications
 DIN EN 60 664-1
 DIN EN 61 984

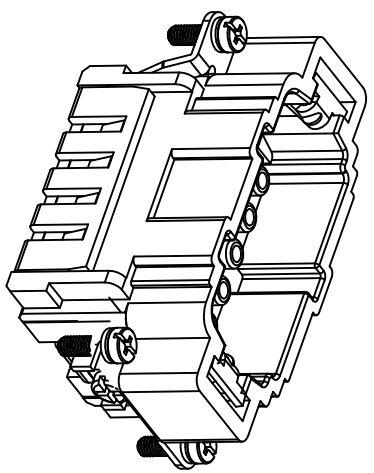
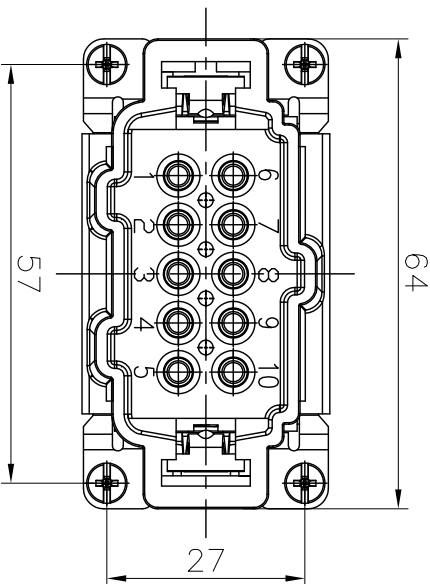
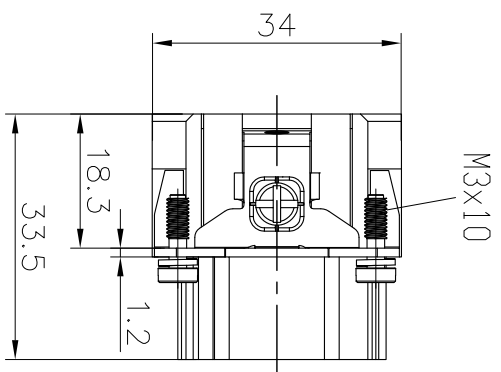
Inserts

01. Number of contacts : 10+PE
02. Rated Current : 16A
03. Rated Voltage : 500V
04. Pollution degree : 3
05. Rated impulse voltage : 6kV¹⁰
06. Insulation resistance : $\geq 10^9 \Omega$
07. Material: Polycarbonate
08. Rated voltage acc. to UL/CSA: 600V
09. Limiting temperatures : -40°C ~ +125°C
10. Flammability acc. to UL94: V0
11. Mechanical working life (mating cycles) : ≥ 500

Contacts

01. Material: Copper alloy
02. Surface: hard-silver plated
03. Contact resistance : $\leq 1m\Omega$
04. Terminal : Crimp terminal
05. Wire gauge : 0.14-4.0mm² (AWG 26-12)
06. Stripping length : 7.5mm
07. Rohns Compliance

Note: Crimp contact pins should order separately



DETACHED LISTS			
PART NO.:	/	NAME:	DEGSON® NINGBO DEGSON ELECTRICAL CO., LTD 宁波高松电子有限公司
APPD:		TITLE:	CUSTOMER DRAWING
CHKD:		DRAWING NO.:	/
DRFT:	Mr. Yang 2016.08.08	DO NOT SCALE DRAWING	SCALE
THIRD ANGLE PROJECTION		1M (INCH)	1:1