

pitch: 2.54 mm
 certification: UL, CE, VDE

1. Material:

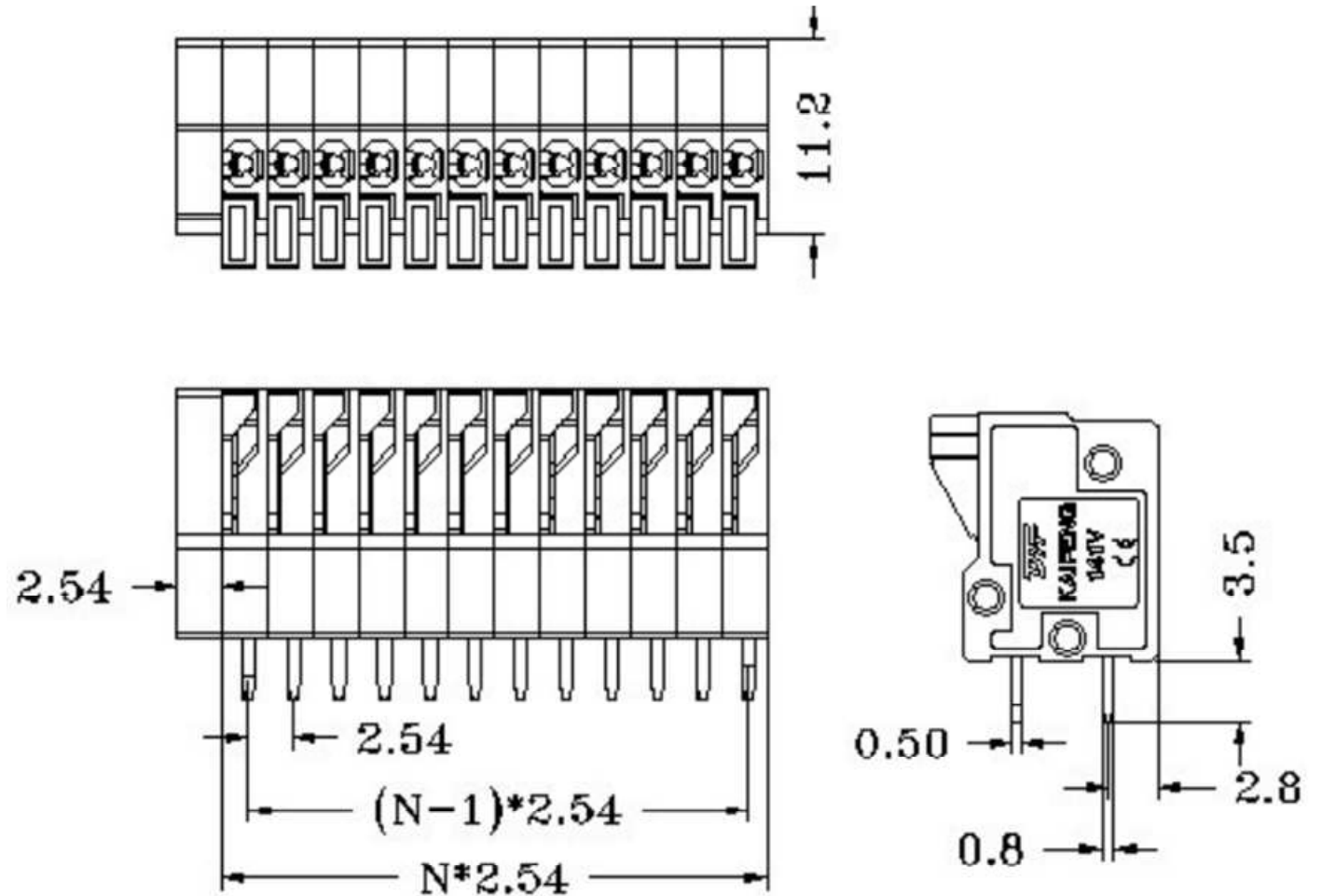
- Pin header: Brass, Tin-Plated
- Housing : PA66, UL94V-0

2. Electrical:

- Rated voltage : 150V
- Rated current : 5A
- Contact resistance: 20mΩ
- Insulation resistance: 5000MΩ/1000V
- Withstanding voltage: AC1500V/1Min
- Wire range: 26 -20 1.5mm²

3. Mechanical:

- Temp. range: -40°C...+105°C
- MAX soldering : +250°C, For 5 Sec



HOW TO ORDER

