

Data sheet

Commercial Art.No.: 25.840.0753.0

PCB connector 8213 BFK / 7 TOP

PCB female connector with tension spring connection, 7 poles, printed version, max. cross section: 2.5 mm², pitch: 5.08 mm, type of packing: carton, color: grey



Commercial Art.No.	25.840.0753.0
EAN	4015573562479
Order Unit	50

Certificates / Approvals



Technical data

General

Modular spacing	5.08 mm
Connection type	spring clamp connection
Soldering process	None
Packaging	Carton
Number of poles	7
Marking	yes
Fastening	None
Mating direction towards connector	180°

Technical data

Nominal cross section	2.5 mm ²
Rated current	12 A
Overvoltage Category I	1000 V
Overvoltage Category II	400 V
Overvoltage Category III	250 V
Rated impulse voltage	4 kV
Wire strip length	11 mm

Connection Data

Minimum cross section solid	0.14 mm ²
Maximum cross section solid	2.5 mm ²
Minimum cross section fine stranded	0.14 mm ²
Maximum cross section fine stranded	2.5 mm ²
Wire strip length	11 mm

Technical Data UL/CSA

Cross section UL	22-12 AWG
------------------	-----------

Voltage UL	300 V
Current field wiring	12 A
Current factory wiring	12 A
Cross section CSA	22-16 AWG
Voltage CSA	300 V
Current CSA	12 A

Other

Type of insulation material	Thermoplastic
Color	Grey
Height	15 mm
Length	35.56 mm
Depth	24.3 mm
Material attachment screw	None
Material contact base	Steel
Material contact surface	Sn

Classification

ECLASS 11	
ECLASS 8.1	27440402
ETIM 7.0	EC002637
ETIM 6.0	EC002637
ETIM 5.0	EC002637
ETIM 4.0	EC002637

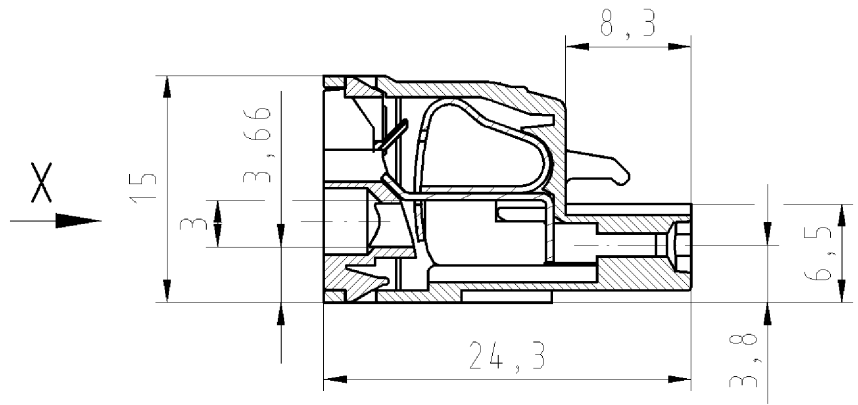
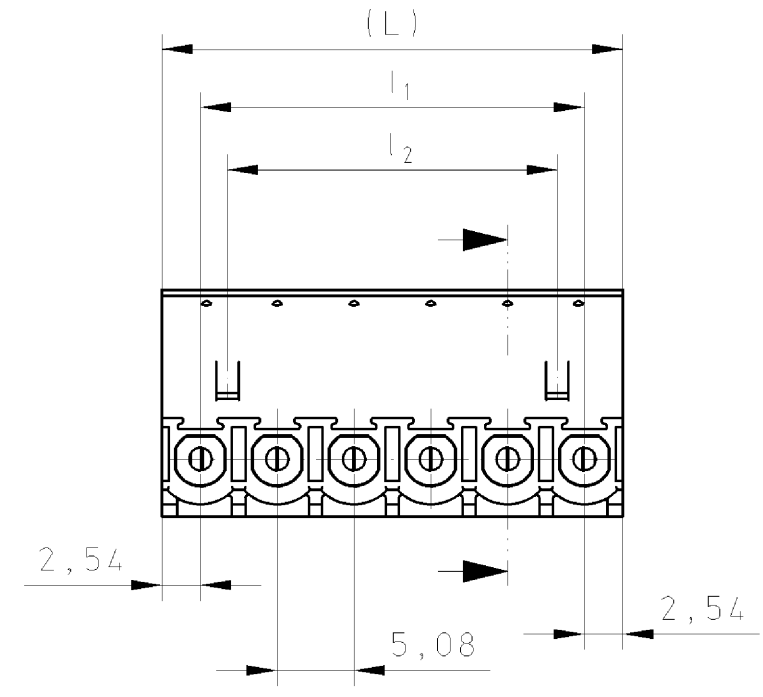
Fits with

Commercial Art.No.:	Article-type description:	Description:
25.857.3753.0	PCB pin header 8213 SUFK / 7 TOP OB	PCB pin header with tension spring connection, 7 poles, max. cross section: 2.5 mm ² , pitch: 5.08 mm, type of packing: carton, color: grey
25.857.0753.0	PCB pin header 8213 SUFK / 7 TOP	PCB pin header with tension spring connection, 7 poles, printed version, max. cross section: 2.5 mm ² , pitch: 5.08 mm, type of packing: carton, color: grey
25.352.3753.0	PCB pin header 8213 S / 7 W OB	PCB pin header, connection method depends on used socket part , 7 poles, pitch: 5.08 mm, type of packing: carton, color: grey
25.350.3753.0	PCB pin header 8213 S / 7 G OB	PCB pin header, connection method depends on used socket part , 7 poles, pitch: 5.08 mm, type of packing: carton, color: grey
99.207.9996.2	PCB pin header 8213 S / 7 W OB OF	PCB pin header, connection method depends on used socket part , 7 poles, pitch: 5.08 mm, type of packing: carton, color: white
99.237.9996.1	PCB pin header 8213 S / 7 G OB OF	PCB pin header, connection method depends on used socket part , 7 poles, pitch: 5.08 mm, type of packing: carton, color: black
25.396.3753.0	PCB pin header 8213 S / 7 S OB	PCB pin header, connection method depends on used socket part , 7 poles, pitch: 5.08 mm, type of packing: carton, color: grey
27.356.0753.0	PCB pin header 8213 SEG/ 7/14 W OB	PCB pin header, 7 poles, pitch: 5.08 mm, type of packing: carton, color: grey
26.350.3706.0	PCB pin header 8213 S / 7 G OF OB THR	PCB pin header, connection method depends on used socket part , 7 poles, with solder pin (2.6mm, tin plated), pitch: 5.08 mm, type of packing: carton, color: black, This product can be soldered by reflow and wave soldering,

25.350.3706.0	PCB pin header 8213 S / 7 G OB THR	PCB pin header, connection method depends on used socket part , 7 poles, with solder pin (2.6mm, tin plated), pitch: 5.08 mm, type of packing: carton, color: black, This product can be soldered by reflow and wave soldering,
25.352.3706.0	PCB pin header 8213 S / 7 W OB THR	PCB pin header, connection method depends on used socket part , 7 poles, with solder pin (2.6mm, tin plated), pitch: 5.08 mm, type of packing: carton, color: black, This product can be soldered by reflow and wave soldering,

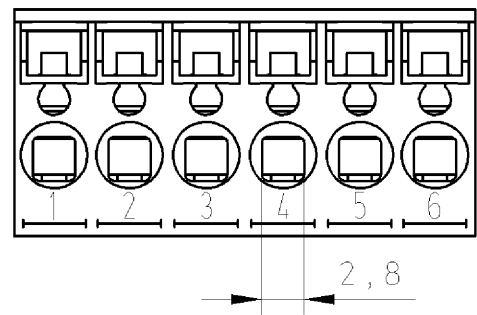
These dimensions will be especially checked at delivery
Only inspection dimensions
With /E marked dimensions are only valid for internal use

Diese Maße werden bei Abnahme besonders geprüft
Ausschließlich Prüfmaße
Mit /E gekennzeichnete Maße sind nur für interne Zwecke gültig



gezeichnete Ausführung: 6-polig
drawn version: 6-poles

Ansicht "X"
view "X"



Teile - Nr. part - no.	Polzahl pole	(L)	l ₁	l ₂	Typ type
25.840.0253.F	2	10,16	5,08	-	8213 BFK/ 2 TOP K
25.840.0353.F	3	15,24	10,16	6,58	8213 BFK/ 3 TOP K
25.840.0453.F	4	20,32	15,24	11,66	8213 BFK/ 4 TOP K
25.840.0553.F	5	25,40	20,32	16,74	8213 BFK/ 5 TOP K
25.840.0653.F	6	30,48	25,40	21,82	8213 BFK/ 6 TOP K
25.840.0753.F	7	35,56	30,48	26,90	8213 BFK/ 7 TOP K
25.840.0853.F	8	40,64	35,56	31,98	8213 BFK/ 8 TOP K
25.840.0953.F	9	45,72	40,64	37,06	8213 BFK/ 9 TOP K
25.840.1053.F	10	50,80	45,72	42,14	8213 BFK/10 TOP K
25.840.1153.F	11	55,88	50,80	47,22	8213 BFK/11 TOP K
25.840.1253.F	12	60,96	55,88	52,30	8213 BFK/12 TOP K
25.840.1353.F	13	66,04	60,96	57,38	8213 BFK/13 TOP K
25.840.1453.F	14	71,12	66,04	62,46	8213 BFK/14 TOP K
25.840.1553.F	15	76,20	71,12	67,54	8213 BFK/15 TOP K
25.840.1653.F	16	81,28	76,20	72,62	8213 BFK/16 TOP K
25.840.1753.F	17	86,36	81,28	77,70	8213 BFK/17 TOP K
25.840.1853.F	18	91,44	86,36	82,78	8213 BFK/18 TOP K
25.840.1953.F	19	96,52	91,44	87,86	8213 BFK/19 TOP K
25.840.2053.F	20	101,60	96,52	92,94	8213 BFK/20 TOP K
25.840.2153.F	21	106,68	101,60	98,02	8213 BFK/21 TOP K
25.840.2253.F	22	111,76	106,68	103,10	8213 BFK/22 TOP K
25.840.2353.F	23	116,84	111,76	108,18	8213 BFK/23 TOP K
25.840.2453.F	24	121,92	116,84	113,26	8213 BFK/24 TOP K

.F Farbe:
colour:

0 grau/grey
Bedruckung: schwarz
printing: black

7 grün/green
Bedruckung: schwarz
printing: black

Weitere Daten siehe Katalog
further data see catalog

Tolerierung nach DIN 7167/Tolerance system acc. to DIN 7167. (This DIN-standard describes the envelope principle. According to the envelope principle the deviations of form and parallelism are limited by the size tolerances).		ja/yes <input checked="" type="checkbox"/> Stoffverbots- und Deklarationsliste nach UU-TQM-05/03 ist einzuhalten. Conformity with Wieland document UU-TQM-05/03 (list of prohibited / declarable hazardous substances) to be declared!	
Freitoleranz nach General tolerance		CAD - Zeichnung, keine manuellen Änderungen CAD - drawing, no manual modifications allowed	1. Verwendung: First Use: -
Blatt: 1 von 1 Sheet: of 1		Zeichnung Nr./Drawing No. Index	
Werkstoff/Material		2008 Tag/Date	Name
Maßstab/Scale		gezeichnet drawn	25.02. Treschan
Vol. mm ³ Ofl./Surf. mm ²		geprüft checked	-
Ersatz für/Replacement for: -		Nicht gepr. Stand. check	-
Type		Benennung/Title	
wieland		PCB terminal LP_STECKKLEMME	
Elektrische Verbindungen		mit Federkraftanschluß, Rastermaß 5,08mm with spring clamp connection, pitch 5,08mm	
Index	Datum / Blatt Date / Sheet		
Änderung/Revision			

Weitergabe sowie Vervielfältigung dieses Dokuments, Verwertung und Mitteilung seines Inhalts sind verboten, soweit nicht ausdrücklich gestattet.
The reproduction, distribution and utilization of this document as well as the communication of its contents to others without express authorization is prohibited.

258400253001K_4_CADW1044_treschan 2008-02-25T10:53:33 1:000