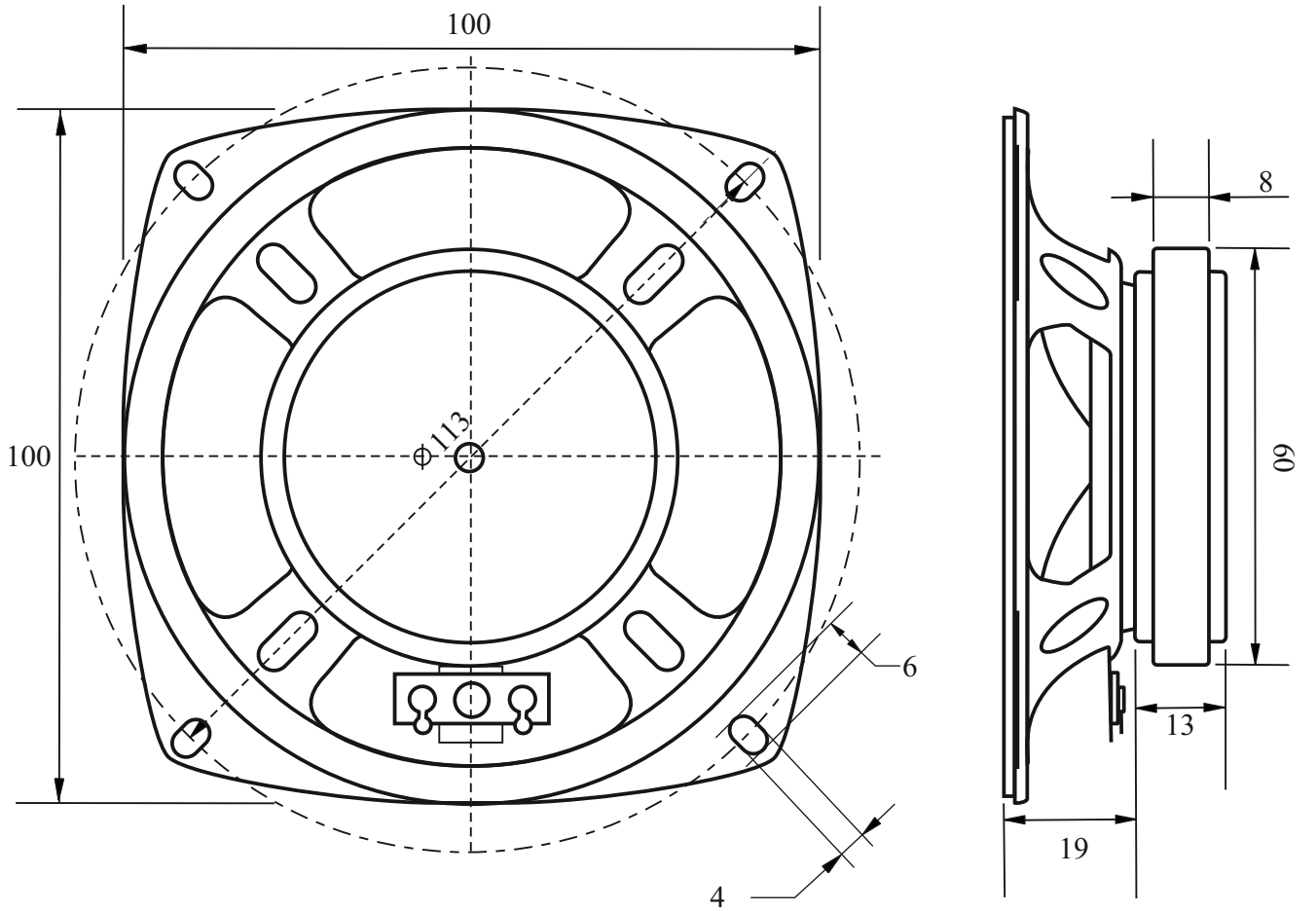


SPECIFICATIONS		
PARAMETERS	VALUES	UNITS
RATED INPUT POWER	5	Wt
MAX INPUT POWER	10	Wt
IMPEDANCE	4 ± 15%	OHM
OUTPUT SPL @ 1W/1M (AT 400, 600, 800, 1.0 kHz)	90 ± 3	dBA
DISTORTION (MAX.)	5%	-
RESONANT FREQUENCY	140 ± 20%	Hz
FREQUENCY RANGE	140 ~ 14,000	Hz
HOUSING MATERIAL	METAL	-
CONE MATERIAL	PAPER	-
MAGNET MATERIAL	FERRITE	-
OPERATING TEMPERATURE	-20 ~ +50	°C
WEIGHT	230	grams



Замечание:

Все размеры даны в миллиметрах.

UNLESS OTHERWISE SPECIFIED: DIMENSIONS ARE IN MILLIMETERS, TOLERANCES ARE ±0.5 AND ANGLES ARE ±3°.	SIZE	Designed by	Date	Checked by	Date	Approved by	Date	Drawn Date
	A3	YD100N-10RU60						Edition
Speaker							-	1 / 1