

Data sheet

Commercial Art.No.: 70.320.2438.0

Bottom BAS GUE GA 24 50 A

Bottom-base-EMV revos basic made of aluminum, with double locking lever, open, low version, 24-poles



Commercial Art.No.	70.320.2438.0
EAN	4015573435001
Order Unit	1

Certificates / Approvals



Technical data

General

Housing material	aluminum
Color	Grey
Surface	With powder coating
Degree of protection (IP)	IP54
UV resistant	yes
Inflammability class of insulation material acc. with UL94	Other
Operating temperature range min.	-40 °C
Operating temperature range max.	120 °C

Model

Construction	24
Locking mechanism	Double locking levers
Cable entry	None
Type of cable	None
With cable screw gland	No
Thread size PG	
Hinged lid	No
EMC-version	yes
Length	140 mm
Width	48 mm
Height	30 mm

Classification

ECLASS 11	
ECLASS 8.1	27440202
ETIM 7.0	EC000437
ETIM 6.0	EC000437

ETIM 5.0	EC000437
ETIM 4.0	EC000437
ETIM 3.0	EC000437

Product compliance

ROHS conformity status	Compliant
REACH-SVHC conformity status	Compliant

Fits with

Commercial Art.No.:	Article-type description:	Description:
73.700.6458.0	Female insert HD BUC 64 25	revos BASIC HD 64 pole + ground, female insert 250V/10A, crimp connection
73.710.6458.0	Male insert HD STC 64 25	revos HD 64 pole + ground, male insert 250V/10A, crimp connection
72.206.1253.0	Female insert POW BUS 4/8 NL BB AG	
72.216.1253.0	Male insert POW STS 4/8 NL BB AG	

A

These dimensions will be especially checked at delivery
 Only inspection dimensions
 With /E marked dimensions are only valid for internal use

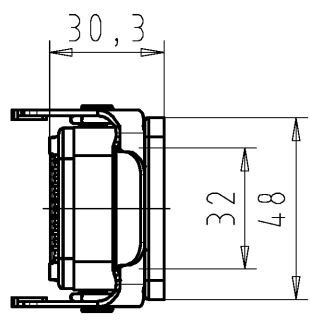
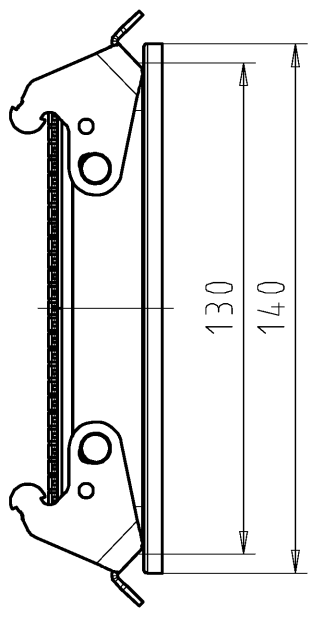
B

C

Diese Maße werden bei Abnahme besonders geprüft
 Ausschließlich Prüfmaße
 Mit /E gekennzeichnete Maße sind nur für interne Zwecke gültig

D

E



Weitere Daten siehe Katalog
further data see catalog

Tolerierung Size ISO 14405(E)/Tolerance system Size ISO 14405(E).
{This ISO-standard describes the envelope principle. According to the envelope principle the deviations of form and parallelism are limited by the size tolerances}.

ja/yes Stoffverbots- und Deklarationsliste nach WN 5020.010 ist einzuhalten.
Conformity with Wieland document WN 5020.010 e (list of prohibited / declarable hazardous substances) to be declared!

Freitoleranz nach General tolerance CAD - Zeichnung, keine manuellen Änderungen CAD - drawing, no manual modifications allowed 1.Verwendung: - First Use: - Blatt: 1 von 1 Sheet: 1 of 1

	/		Werkstoff/Material	2010	Tag/Date	Name	Zeichnung Nr./Drawing No.	Index
	/			gezeichnet drawn	11.03.	Schmitt J.		
	/			geprüft checked	-	-		
	/			Normgepr. Stand. check	-	-		
	/	Maßstab/Scale					70.320.2438.0 01K	a
	/	1:2					Maße in mm/Dimensions are in mm	

Vol. mm³ Of1./Surf. mm² Ersatz für/Replacement for: -

a	12.10.2015/		wieland	Type	Benennung/Title	
Index	Datum / Blatt Date / Sheet				GEHAEUSE_UNTERTEIL	
Änderung/Revision					EMV 24 polig/poles OPEN HOUSING	

Weitergabe sowie Vervielfältigung dieses Dokuments, Verwertung und Mitteilung seines Inhalts sind verboten, soweit nicht ausdrücklich gestattet. Die Reproduktion, Distribution und Utilization of this document as well as the communication of its contents to others without express authorization is prohibited.

1
2
3
4
5
6
7
8
9
10
11
12
13
14
15
16
17
18
19
20
M1
M2
M3
L
G
i
11.1
12.1
1.1