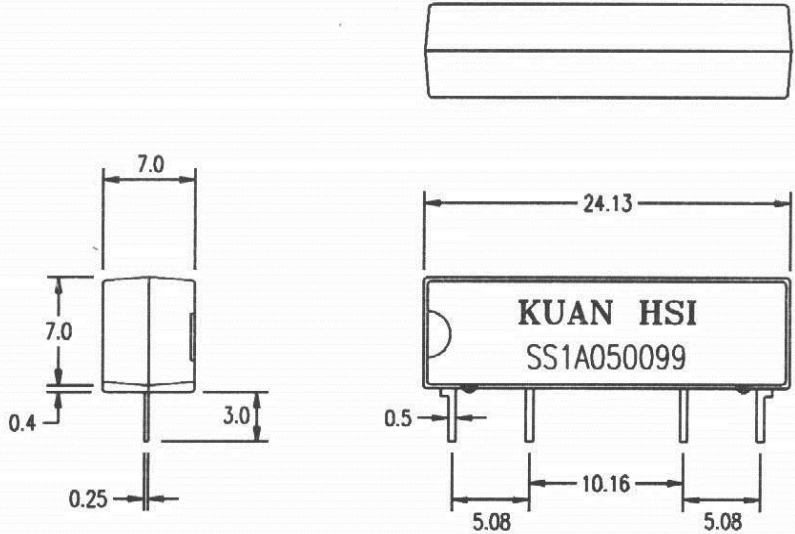


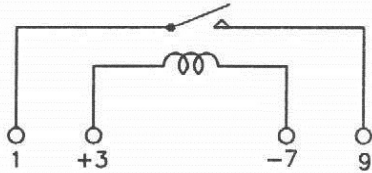
# PRODUCT SPECIFICATION

KUAN HSI ELECTRONICS CO.,LTD.	Reed Relay :	NO. 50R06013	REV. 2.
	SS1A050099	SHEET 1 OF 3	

1. OUTSIDE DIMENSION : UNIT ( mm )



2. SCHEMATIC : TOP VIEW



# PRODUCT SPECIFICATION

<b>KUAN HSI</b> <b>ELECTRONICS CO.,LTD.</b>	Reed Relay : SS1A050099	NO. 50R06013	REV. 2
		SHEET 2 OF 3	

### 3.0 COIL RATINGS: (AT 20°C )

3.1 Coil resistance	1000	( $\Omega \pm 10\%$ )
3.2 Nominal coil voltage	5	(VDC)
3.3 Maximun Continuous voltage	10	(VDC)
3.4 Must operate	3.75	(VDC)
3.5 Must release	1.0	(VDC)
3.6 Rated current	5	( mA)

### 4.0 ELECTRONICAL CHARACTERISTICS :

4.1 Contact resistance ( 2V 100mA )	100	(m $\Omega$ max)
4.2 Operate time	0.5	(mS max)
4.3 Bounce time	0.5	(mS max)
4.4 Release time	0.2	(mS max)
4.5 Insulation resistance (100 VDC open contact)	10 <sup>11</sup>	( $\Omega$ min)
4.6 Power	10	(VA max)
4.7 Switching voltage	200	(VDC max)
4.8 Switching current	0.5	( A max)
4.9 Carry current	1.0	( A max)
4.10 Breakdown voltage (across open contact)	250	(VDC min)
(between coil & contact)	2500	(VDC min)
4.11 Life expectancy (signal level)	10 <sup>8</sup>	
4.12 Operating temp.	-40	to 85°C
4.13 Storage temp.	-50	to 125°C
4.14 Resonant frequency	3.5	(KHZ)
4.15 Vibration (10 - 2000 HZ)	20	(g max)
4.16 Minimum permissible load	100mVDC	X 10uA

# PRODUCT SPECIFICATION

KUAN HSI ELECTRONICS CO.,LTD.	Reed Relay :	NO. 50R06013	REV.
	SS1A050099	SHEET 3 OF 3	2.

● **Application Notice**

The statements regarding the suitability of products for certain types of applications are based on cosmo's knowledge of general applications of cosmo products. Such statements are not binding statements about the suitability of products for a particular application. It is the customer's responsibility to verify the specifications are suitable for use in a particular application. Customers are solely responsible for all aspects of their own product design or applications. The parameters provided in the datasheet may vary in different applications and performance may vary over time. All operating parameters (including typical parameters) must be validated by customer's technical experts for different applications. cosmo assumes no liability for customer' product design or applications. Product specifications do not expand or otherwise change cosmo's terms and conditions of purchase, including but not limited to the warranty expressed therein.

When using cosmo products, please comply with safety standards and instructions. cosmo has no liability and responsibility to the damage caused by improper use of the instructions specified in the specifications.

cosmo products are designed for use in general electronic equipment such as telecommunications, office automation equipments, personal computers, test and measurement equipments, consumer electronics, industrial control, instrumentation, audio, video.

cosmo devices shall not be used in equipment that requires higher level of reliability and safety, such as nuclear power control equipment, telecommunication equipment(trunk lines), space application, medical and other life supporting equipments, and equipment for aircraft, military, automotive or any other application that can cause human injury or death.

cosmo reserves the right to change the specifications, data, characteristics, structure, materials and other contents at any time without notice. Please contact cosmo to obtain the latest specification.

cosmo disclaim any and all liability for any errors, inaccuracies or incompleteness contained in any datasheet or in any other disclosure relating to any product.