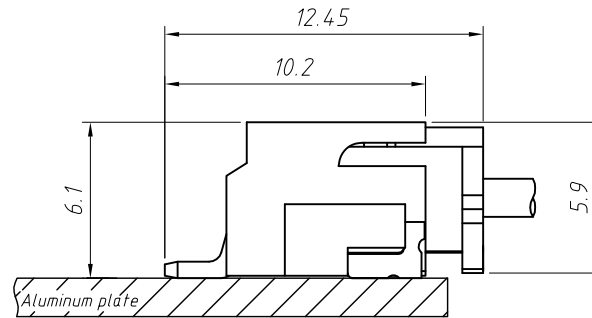
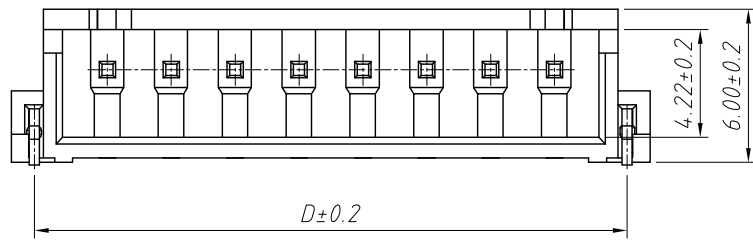
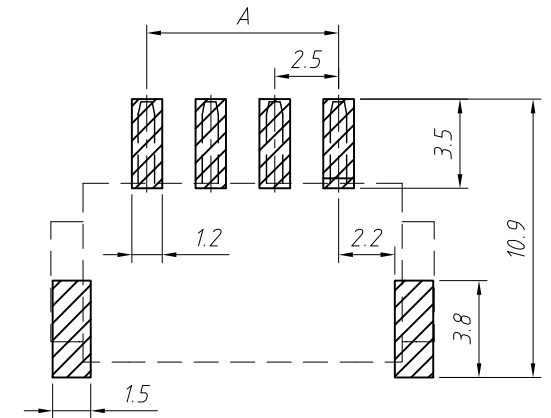


Material:
 Insulator: LCP UL 94V-0, Beige
 Contacts: Brass, Tin Plated
 Solder Tab: Brass, Tin Plated

Electrical Specification:
 Poles: 02 to 16
 Contact resistance: $\leq 20m\Omega$
 Insulation resistance: $\geq 1000M\Omega$
 Rated voltage: 250V AC DC
 Rated current: 3.0A AC DC
 Withstand Voltage: 1000V AC/minute
 Temperature Range: -25°C ~ +105°C



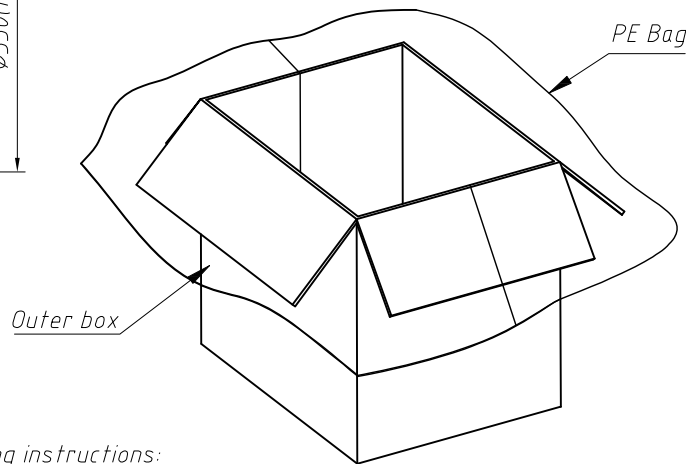
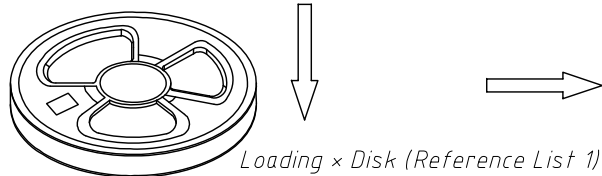
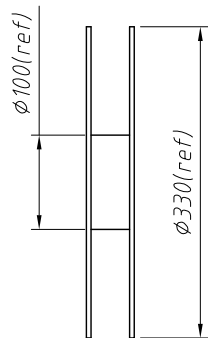
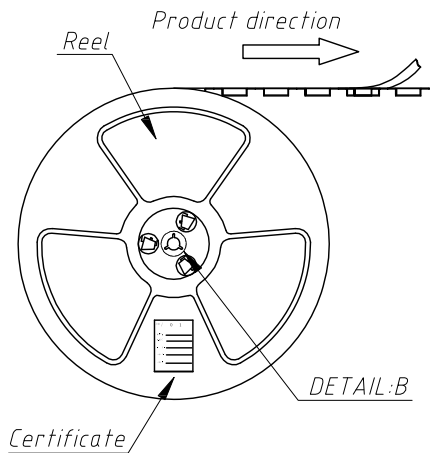
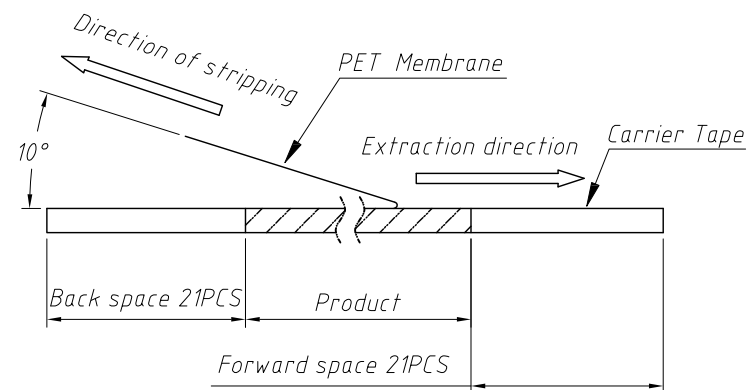
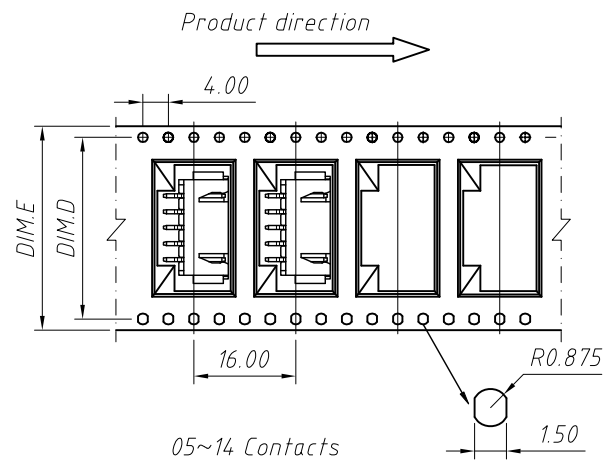
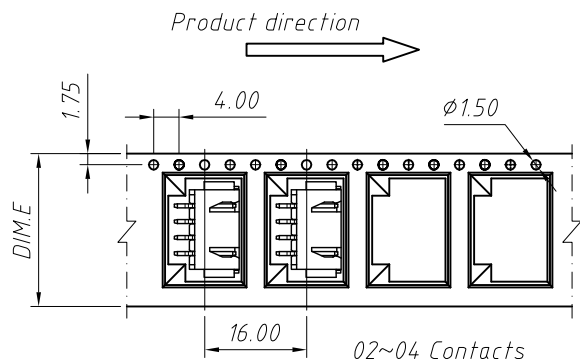
Assembly Layout



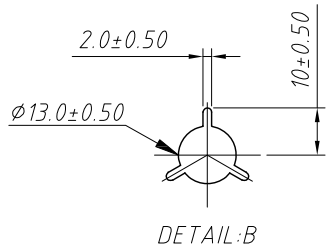
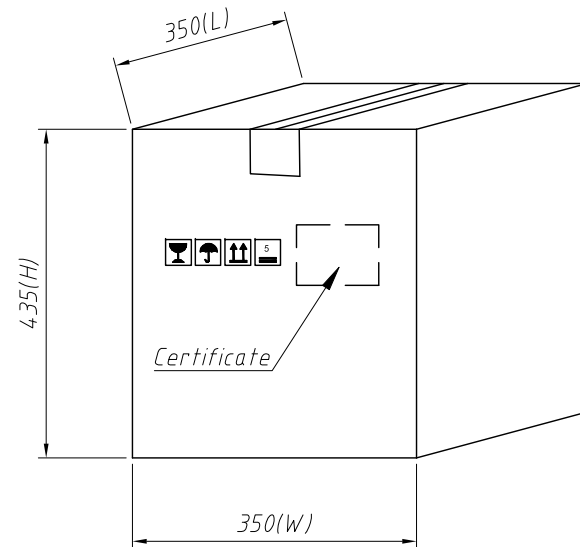
SUGGESTED PCB LAYOUT

Circuit	Dimensions(mm)				Circuit	Dimensions(mm)			
	A	B	C	D		A	B	C	D
02	2.50	7.50	10.00	8.20	10	22.50	27.50	30.00	28.20
03	5.00	10.00	12.50	10.70	11	25.00	30.00	32.50	30.70
04	7.50	12.50	15.00	13.20	12	27.50	32.50	35.00	33.20
05	10.00	15.00	17.50	15.70	13	30.00	35.00	37.50	35.70
06	12.50	17.50	20.00	18.20	14	32.50	37.50	40.00	38.20
07	15.00	20.00	22.50	20.70	15	35.00	40.00	42.50	40.70
08	14.50	22.50	25.00	23.20	16	37.50	42.50	45.00	43.20
09	20.00	25.00	27.50	25.70					

GENERAL TOLERANCE	PROJECTION		Description:
.X ±0.30	UNITS	mm	Pitch 2.50mm Horizontal SMT Wafer
.X ±0.20	SCALE	1:1	
.XX ±0.10	Draw by:	Jenny	
ANGLE TOLERANCE	Check by:		KLS P/N: L-KLS1-2.50-XX-RM
.X ±5°	Date	2018-03-01	NingBo KLS ELECTRONIC CO.,L TD.
.X ±3°	SHEET	1 OF 1	
.XX ±2°			



PET Membrane Schematic diagram of stripping

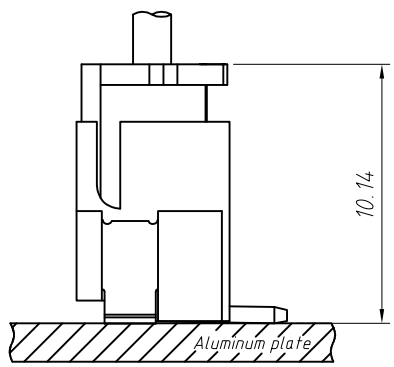
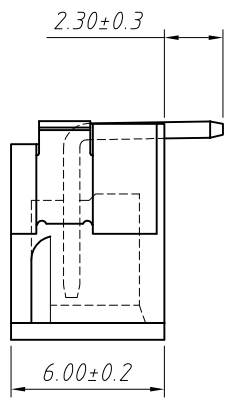
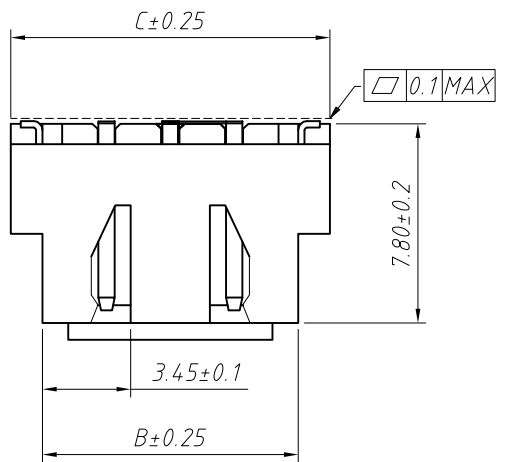


Packaging instructions:
Pack the finished products into reels, each with 700 PCS.

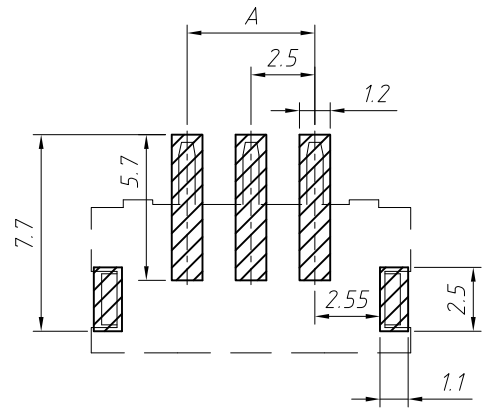
The product will be packed by pasting a certificate on the reel.
The reel is put into the outer box, and the outer box is fitted with one first.
Large PE bags with qualified certificates affixed on the outer case.

Circuits	DIM.D	DIM.E	Q'ty/Reel	Packing Reel/Carton
02-04 PIN	--	24	700 PCS	15/Reel
05-06 PIN	28.4	32	700 PCS	11/Reel
07-10 PIN	40.4	44	700 PCS	8/Reel
11-14 PIN	52.4	56	700 PCS	

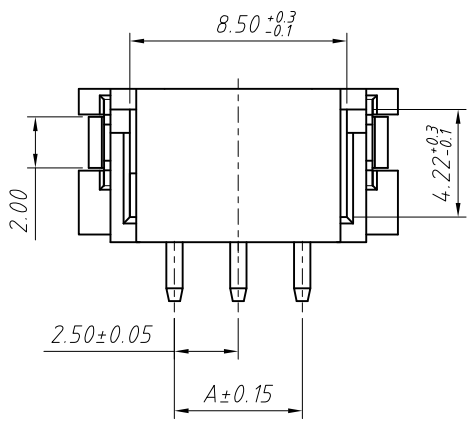
GENERAL TOLERANCE	PROJECTION		Description:
.X ±0.30	UNITS	mm	Packaging Specification Ptich 2.50mm Horizontal SMT
.X ±0.20	SCALE	1:1	
.XX ±0.10	Draw by:	Jenny	
ANGLE TOLERANCE	Check by:		KLS P/N: L-KLS1-2.50-XX-RM
.X ±5°	Date	2018-03-01	NingBo KLS ELECTRONIC CO.,L TD.
.X ±3°	SHEET	1 OF 1	
.XX ±2°			



Assembly Layout

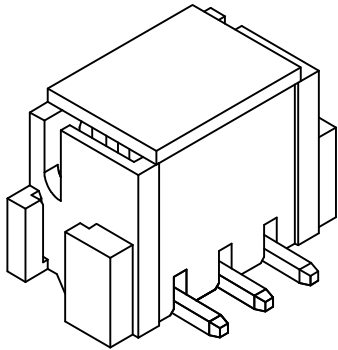


SUGGESTED PCB LAYOUT



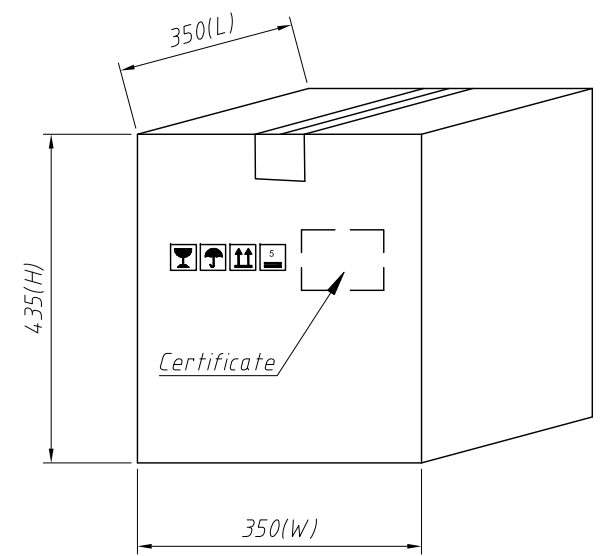
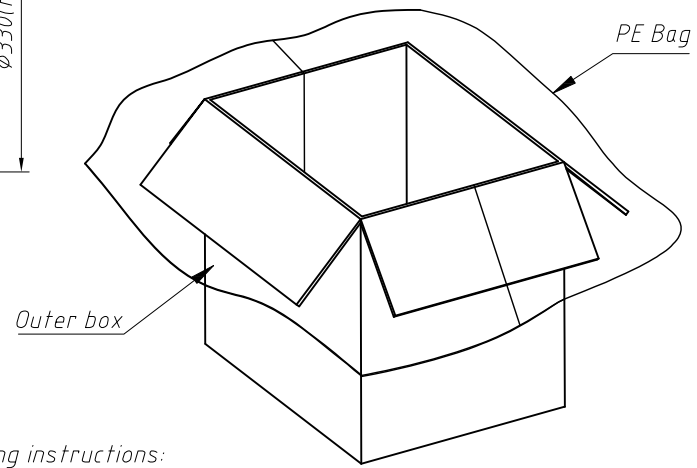
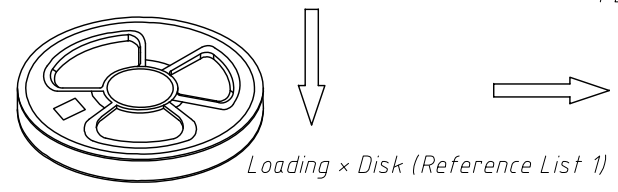
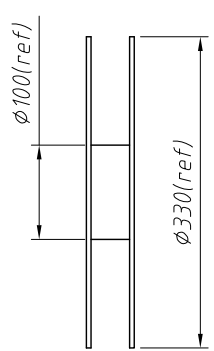
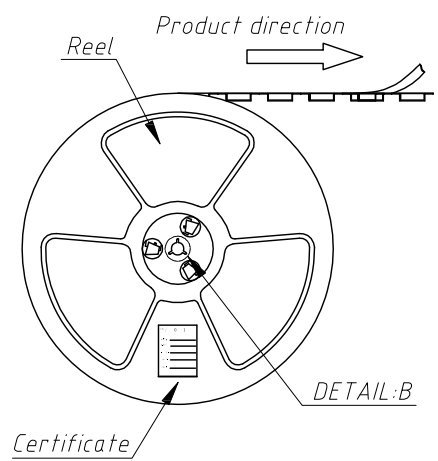
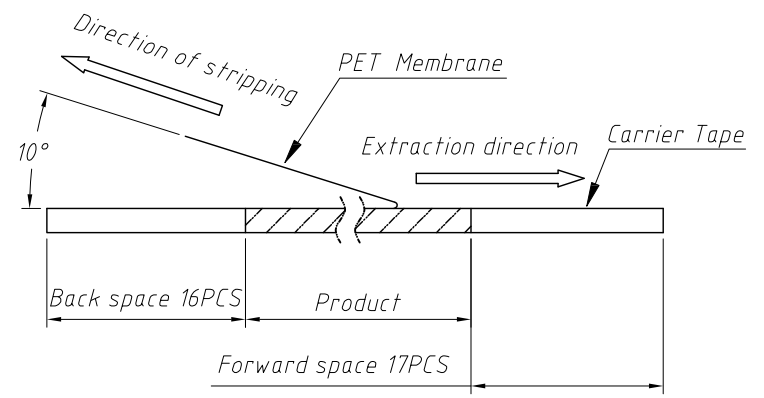
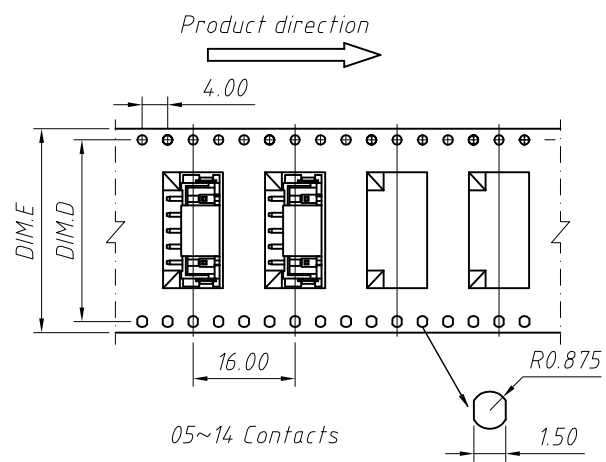
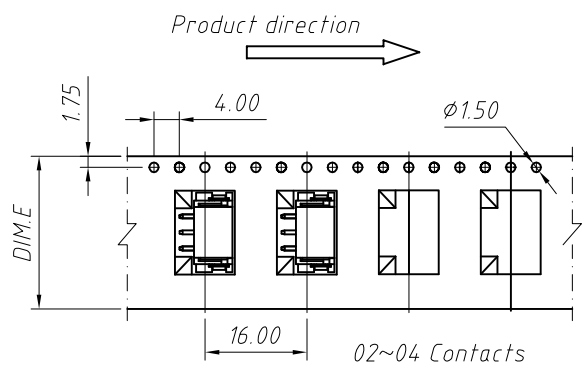
Material:
 Insulator: LCP UL94V-0, Beige
 Contacts: Brass, Tin Plated
 Solder Tab: Brass, Tin Plated

Electrical Specification:
 Poles: 02 to 16
 Contact resistance: $\leq 20m\Omega$
 Insulation resistance: $\geq 1000M\Omega$
 Rated voltage: 250V AC DC
 Rated current: 3.0A AC DC
 Withstand Voltage: 1000V AC/minute
 Temperature Range: $-25^{\circ}C \sim +105^{\circ}C$



Circuit	Dimensions(mm)			Circuit	Dimensions(mm)		
	A	B	C		A	B	C
02	2.50	7.50	10.00	10	22.50	27.50	30.00
03	5.00	10.00	12.50	11	25.00	30.00	32.50
04	7.50	12.50	15.00	12	27.50	32.50	35.00
05	10.00	15.00	17.50	13	30.00	35.00	37.50
06	12.50	17.50	20.00	14	32.50	37.50	40.00
07	15.00	20.00	22.50	15	35.00	40.00	42.50
08	14.50	22.50	25.00	16	37.50	42.50	45.00
09	20.00	25.00	27.50				

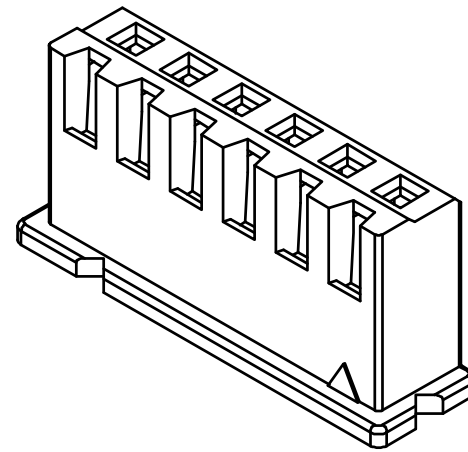
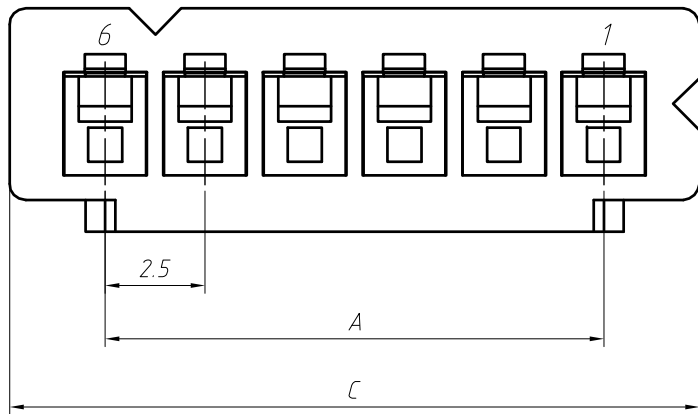
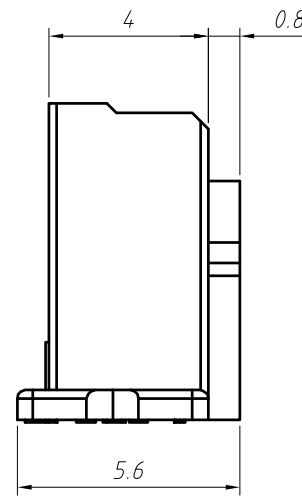
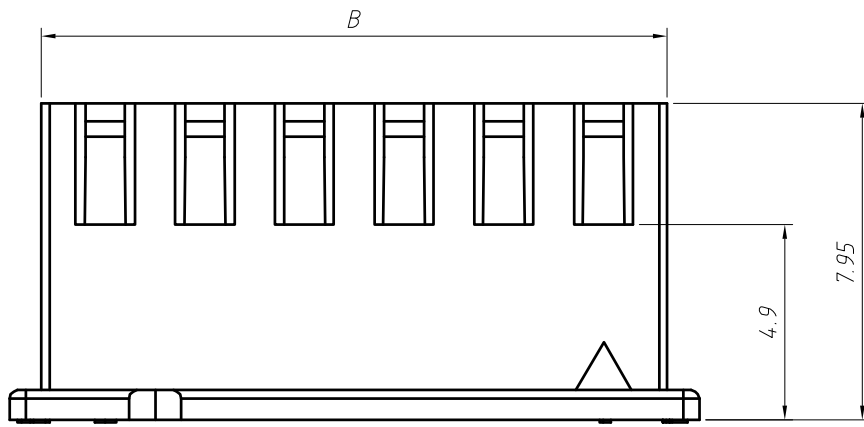
GENERAL TOLERANCE	PROJECTION		Description:
X. ± 0.30	UNITS	mm	Ptich 2.50mm Vertical SMT Wafer
.X ± 0.20	SCALE	1:1	
.XX ± 0.10	Draw by:	Jenny	
ANGLE TOLERANCE	Check by:		KLS P/N: L-KLS1-2.50-XX-VM
X. $\pm 5^{\circ}$	Date	2018-03-01	NingBo KLS ELECTRONIC CO.,L TD.
.X $\pm 3^{\circ}$	SHEET	1 OF 1	
.XX $\pm 2^{\circ}$			



Packaging instructions:
 Pack the finished products into reels, each with 501 PCS.
 The product will be packed by pasting a certificate on the reel.
 The reel is put into the outer box, and the outer box is fitted with one first.
 Large PE bags with qualified certificates affixed on the outer case.

Circuits	DIM.D	DIM.E	Q'ty/Reel	Packing Reel/Caton
02-04 PIN	--	24	501 PCS	15/Reel
05-06 PIN	28.4	32	501 PCS	11/Reel
07-10 PIN	40.4	44	501 PCS	8/Reel
14 PIN	52.4	56	501 PCS	

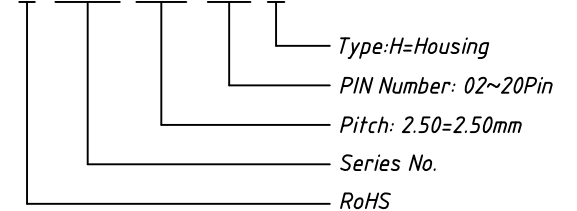
GENERAL TOLERANCE	PROJECTION		Description:
.X ±0.30	UNITS	mm	Packaging Specification Ptich 2.50mm Vertical SMT
.X ±0.20	SCALE	1:1	
.XX ±0.10	Draw by:	Jenny	
ANGLE TOLERANCE	Check by:		KLS P/N: L-KLS1-2.50-XX-VM
.X ±5°	Date	2018-03-01	NingBo KLS ELECTRONIC CO.,L TD.
.X ±3°	SHEET	1 OF 1	
.XX ±2°			



Circuit	Dimensions(mm)		
	A	B	C
02	2.50	5.7	7.3
03	5.00	8.2	9.8
04	7.50	10.7	12.3
05	10.00	13.2	14.8
06	12.50	15.7	17.3
07	15.00	18.2	19.8
08	17.50	20.7	22.3
09	20.00	23.2	24.8
10	22.50	25.7	27.3
11	25.00	28.2	29.8
12	27.50	30.7	32.3
13	30.00	33.2	34.8
14	32.50	35.7	37.3
15	35.00	38.2	39.8
16	37.50	40.7	42.3
17	40.00	43.2	44.8
18	42.50	45.7	47.3
19	45.00	48.2	49.8
20	47.50	50.7	52.3

Order Information

L-KLS1-2.50-XX-H

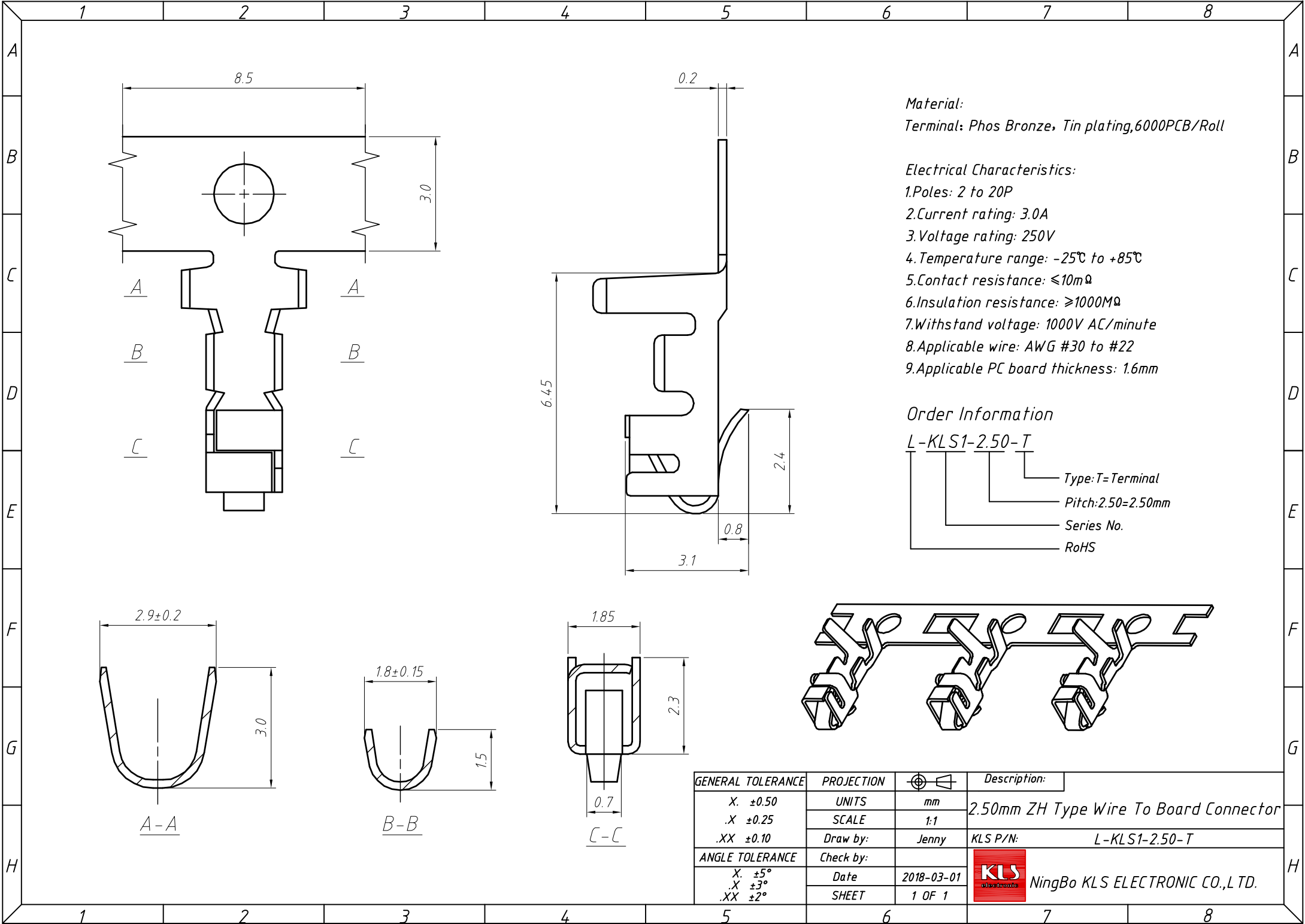


Electrical Characteristics:

- 1.Poles: 2 to 20P
- 2.Current rating: 3.0A
- 3.Voltage rating: 250V
- 4.Temperature range: -25°C to +85°C
- 5.Contact resistance: $\leq 10m\Omega$
- 6.Insulation resistance: $\geq 1000M\Omega$
- 7.Withstand voltage: 1000V AC/minute
- 8.Applicable wire: AWG #30 to #22
- 9.Applicable PC board thickness: 1.6mm

Material:
Housing:PA66(UL 94 V-0),White

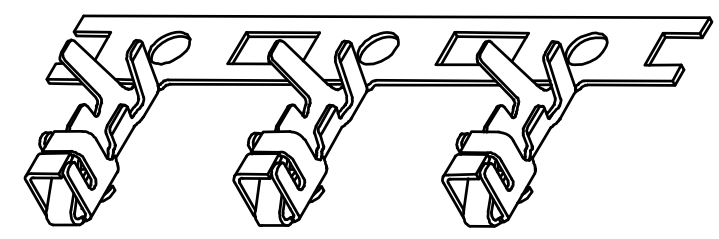
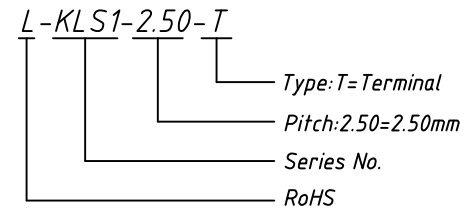
GENERAL TOLERANCE	PROJECTION		Description:
.X. ± 0.50	UNITS	mm	2.50mm ZH Type Wire To Board Connector
.X ± 0.25	SCALE	1:1	
.XX ± 0.10	Draw by:	Jenny	
ANGLE TOLERANCE	Check by:		KLS P/N: L-KLS1-2.50-XX-H
.X. $\pm 5^\circ$	Date	2018-03-01	NingBo KLS ELECTRONIC CO.,L TD.
.X $\pm 3^\circ$	SHEET	1 OF 1	
.XX $\pm 2^\circ$			



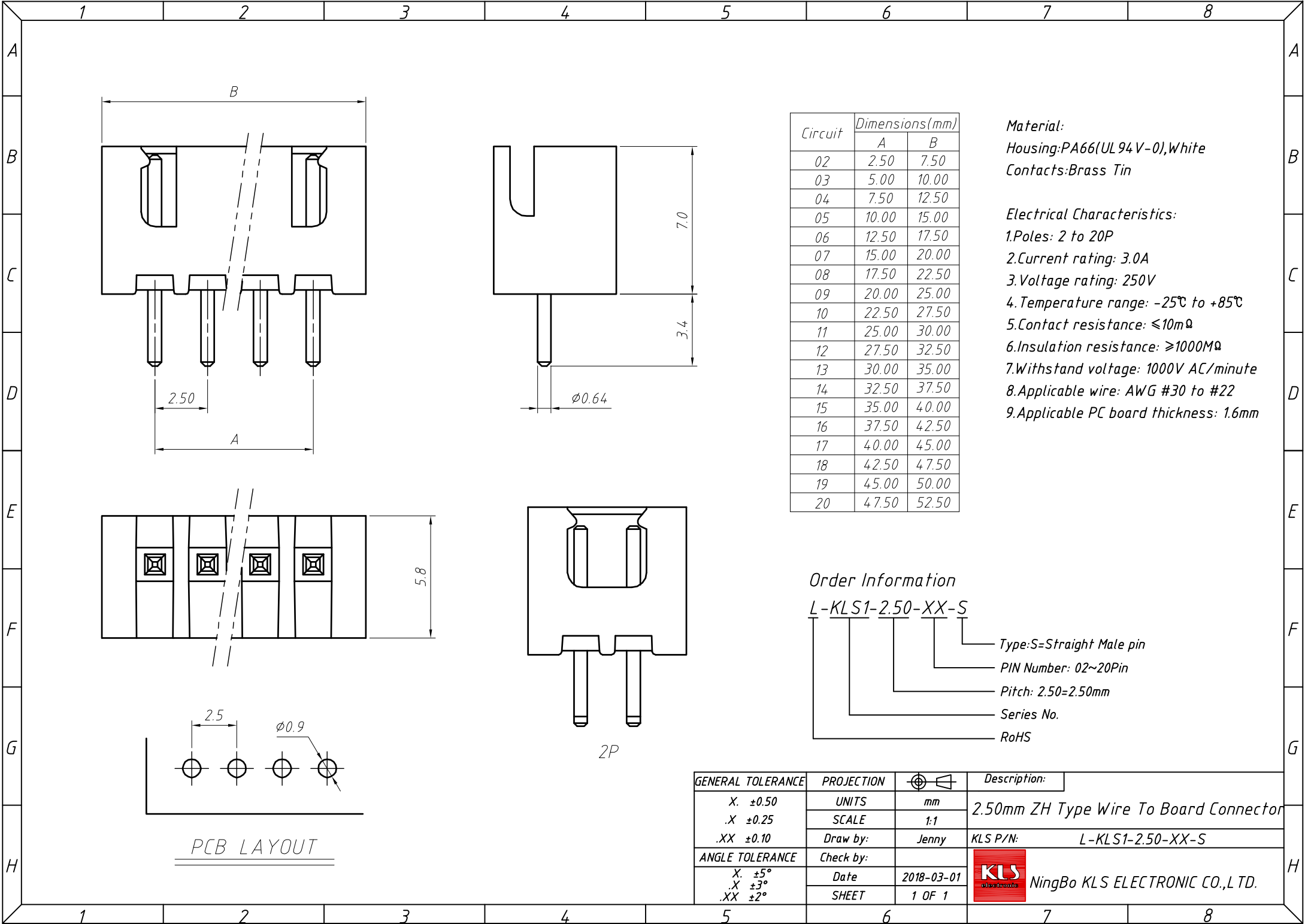
Material:
Terminal: Phos Bronze, Tin plating, 6000PCB/Roll

- Electrical Characteristics:**
1. Poles: 2 to 20P
 2. Current rating: 3.0A
 3. Voltage rating: 250V
 4. Temperature range: -25°C to +85°C
 5. Contact resistance: $\leq 10m\Omega$
 6. Insulation resistance: $\geq 1000M\Omega$
 7. Withstand voltage: 1000V AC/minute
 8. Applicable wire: AWG #30 to #22
 9. Applicable PC board thickness: 1.6mm

Order Information



GENERAL TOLERANCE	PROJECTION		Description:
X. ± 0.50	UNITS	mm	2.50mm ZH Type Wire To Board Connector
.X ± 0.25	SCALE	1:1	
.XX ± 0.10	Draw by:	Jenny	
ANGLE TOLERANCE	Check by:		KLS P/N: L-KLS1-2.50-T
X. $\pm 5^\circ$	Date	2018-03-01	NingBo KLS ELECTRONIC CO.,L TD.
.X $\pm 3^\circ$	SHEET	1 OF 1	
.XX $\pm 2^\circ$			

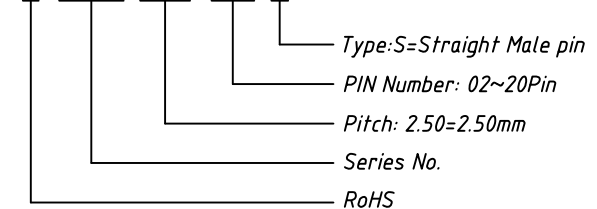


Circuit	Dimensions(mm)	
	A	B
02	2.50	7.50
03	5.00	10.00
04	7.50	12.50
05	10.00	15.00
06	12.50	17.50
07	15.00	20.00
08	17.50	22.50
09	20.00	25.00
10	22.50	27.50
11	25.00	30.00
12	27.50	32.50
13	30.00	35.00
14	32.50	37.50
15	35.00	40.00
16	37.50	42.50
17	40.00	45.00
18	42.50	47.50
19	45.00	50.00
20	47.50	52.50

- Material:**
Housing: PA66(UL 94V-0), White
Contacts: Brass Tin
- Electrical Characteristics:**
1. Poles: 2 to 20P
2. Current rating: 3.0A
3. Voltage rating: 250V
4. Temperature range: -25°C to +85°C
5. Contact resistance: ≤10mΩ
6. Insulation resistance: ≥1000MΩ
7. Withstand voltage: 1000V AC/minute
8. Applicable wire: AWG #30 to #22
9. Applicable PC board thickness: 1.6mm

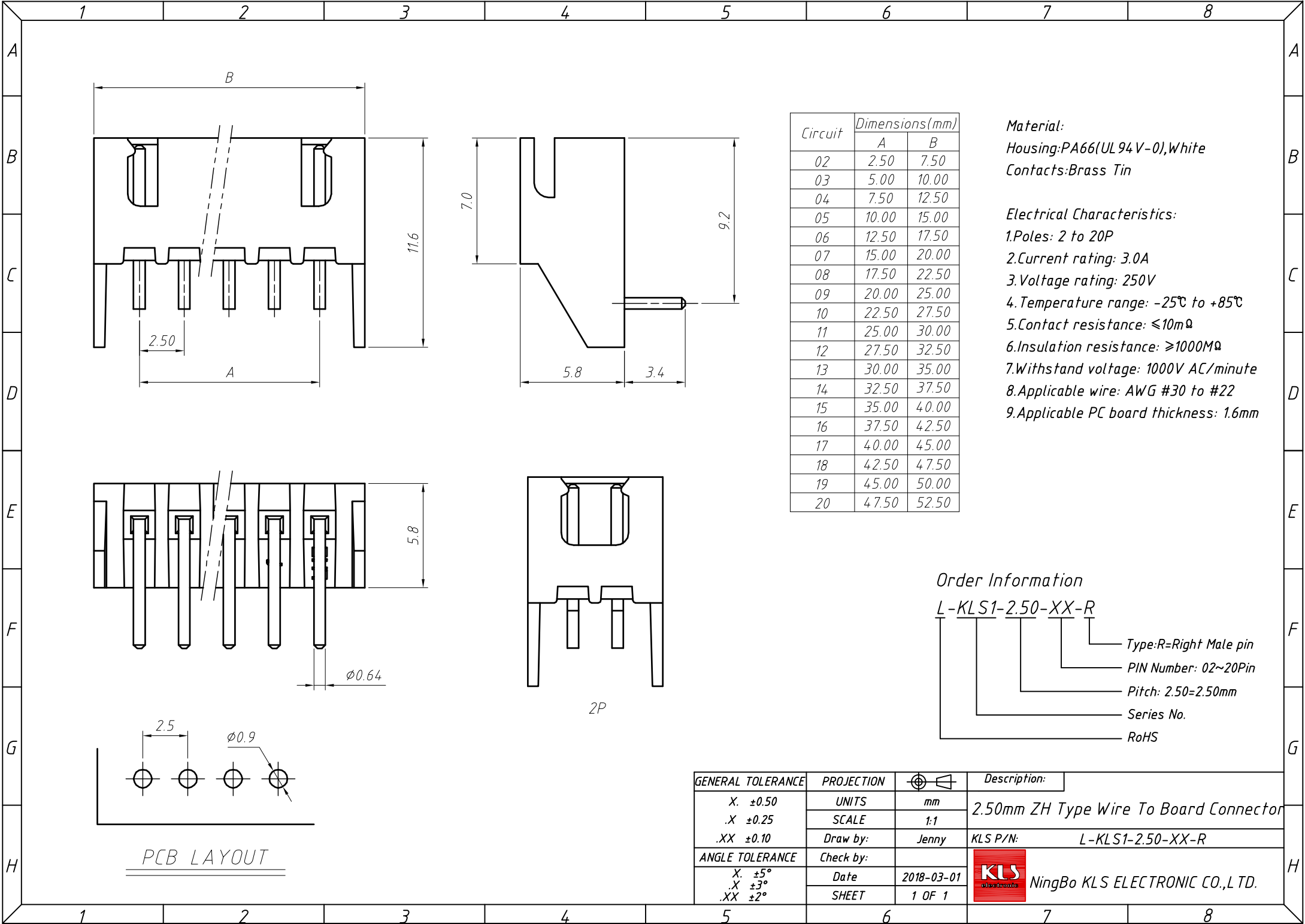
Order Information

L-KLS1-2.50-XX-S



PCB LAYOUT

GENERAL TOLERANCE	PROJECTION		Description:
X. ±0.50	UNITS	mm	2.50mm ZH Type Wire To Board Connector
.X ±0.25	SCALE	1:1	
.XX ±0.10	Draw by:	Jenny	
ANGLE TOLERANCE	Check by:		KLS P/N: L-KLS1-2.50-XX-S
X. ±5°	Date	2018-03-01	NingBo KLS ELECTRONIC CO.,L TD.
.X ±3°	SHEET	1 OF 1	
.XX ±2°			



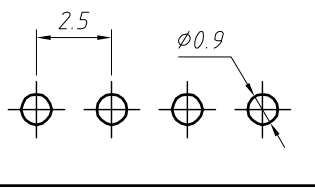
Circuit	Dimensions(mm)	
	A	B
02	2.50	7.50
03	5.00	10.00
04	7.50	12.50
05	10.00	15.00
06	12.50	17.50
07	15.00	20.00
08	17.50	22.50
09	20.00	25.00
10	22.50	27.50
11	25.00	30.00
12	27.50	32.50
13	30.00	35.00
14	32.50	37.50
15	35.00	40.00
16	37.50	42.50
17	40.00	45.00
18	42.50	47.50
19	45.00	50.00
20	47.50	52.50

Material:
Housing: PA66(UL 94V-0), White
Contacts: Brass Tin

Electrical Characteristics:
1. Poles: 2 to 20P
2. Current rating: 3.0A
3. Voltage rating: 250V
4. Temperature range: -25°C to +85°C
5. Contact resistance: ≤10mΩ
6. Insulation resistance: ≥1000MΩ
7. Withstand voltage: 1000V AC/minute
8. Applicable wire: AWG #30 to #22
9. Applicable PC board thickness: 1.6mm

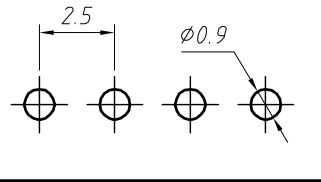
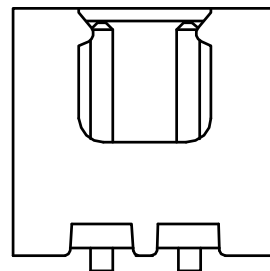
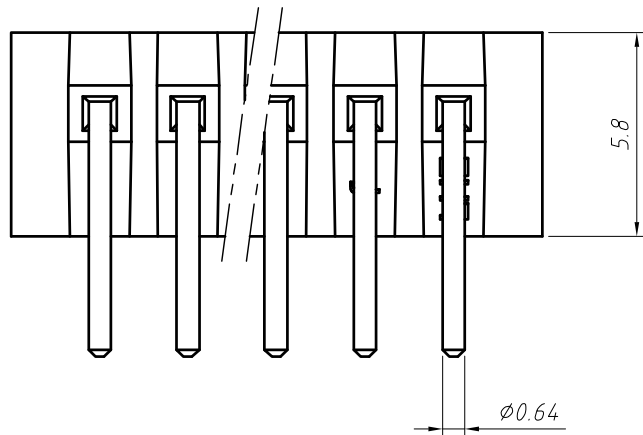
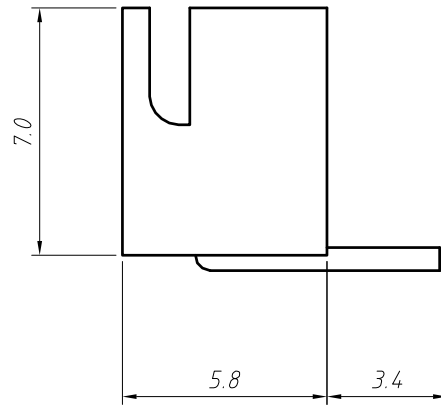
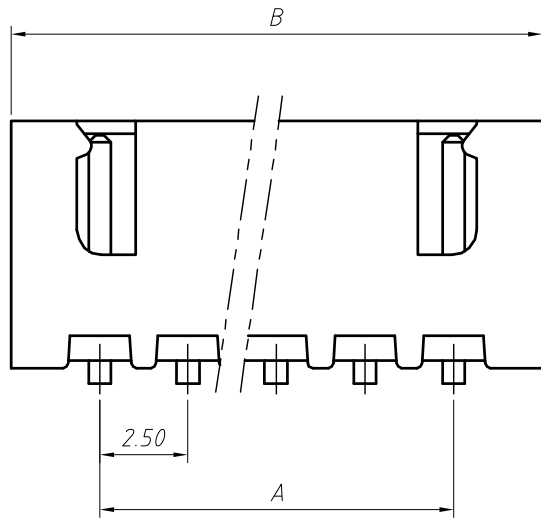
Order Information
L-KLS1-2.50-XX-R

- Type: R=Right Male pin
- PIN Number: 02~20Pin
- Pitch: 2.50=2.50mm
- Series No.
- RoHS



PCB LAYOUT

GENERAL TOLERANCE	PROJECTION		Description:
.X ±0.50	UNITS	mm	2.50mm ZH Type Wire To Board Connector
.X ±0.25	SCALE	1:1	
.XX ±0.10	Draw by:	Jenny	
ANGLE TOLERANCE	Check by:		KLS P/N: L-KLS1-2.50-XX-R
.X ±5°	Date	2018-03-01	NingBo KLS ELECTRONIC CO.,L TD.
.X ±3°	SHEET	1 OF 1	
.XX ±2°			



PCB LAYOUT

Circuit	Dimensions(mm)	
	A	B
02	2.50	7.50
03	5.00	10.00
04	7.50	12.50
05	10.00	15.00
06	12.50	17.50
07	15.00	20.00
08	17.50	22.50
09	20.00	25.00
10	22.50	27.50
11	25.00	30.00
12	27.50	32.50
13	30.00	35.00
14	32.50	37.50
15	35.00	40.00
16	37.50	42.50
17	40.00	45.00
18	42.50	47.50
19	45.00	50.00
20	47.50	52.50

Material:

Housing:PA66(UL94V-0),White

Contacts:Brass Tin

Electrical Characteristics:

1.Poles: 2 to 20P

2.Current rating: 3.0A

3.Voltage rating: 250V

4.Temperature range: -25°C to +85°C

5.Contact resistance: $\leq 10m\Omega$

6.Insulation resistance: $\geq 1000M\Omega$

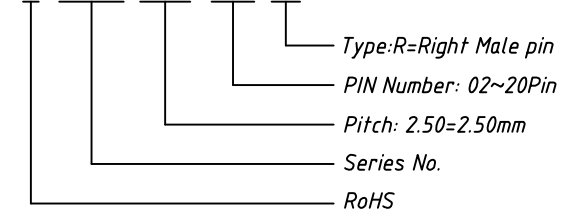
7.Withstand voltage: 1000V AC/minute

8.Applicable wire: AWG #30 to #22

9.Applicable PC board thickness: 1.6mm

Order Information

L-KLS1-2.50-XX-R1



GENERAL TOLERANCE	PROJECTION		Description:
X. ± 0.50	UNITS	mm	2.50mm ZH Type Wire To Board Connector
.X ± 0.25	SCALE	1:1	
.XX ± 0.10	Draw by:	Jenny	
ANGLE TOLERANCE	Check by:		L-KLS1-2.50-XX-R1
X. $\pm 5^\circ$	Date	2018-03-01	NingBo KLS ELECTRONIC CO.,L TD.
.X $\pm 3^\circ$	SHEET	1 OF 1	
.XX $\pm 2^\circ$			