

Data sheet

Commercial Art.No.: 38.703.0553.6

Feed-through terminal WKF2,5/M / R BLAU

Feed-through terminal with tension spring connection for direct mounting, nominal cross section: 2.5 mm², width: 5 mm, color: blue



Commercial Art.No.	38.703.0553.6
EAN	4015573379718
Order Unit	100

Certificates / Approvals



Technical data

General

Nominal cross section	2.5 mm ²
Color	Blue
Number of levels	1
Number of clamp positions per level	2
Width/grid dimension	5 mm
Insulating housing	PA66
Inflammability class of insulation material acc. with UL94	V2
Explosion-tested version "Ex e"	No
Mounting method	Direct mounting
Terminal blocks for electrical installations	yes

Technical data

Rated current	24 A
Rated voltage	800 V
Pollution degree	3
Closing plate required	yes
Type of insulation material	Thermoplastic
Length	36 mm

Connection Data

Connection type 1	spring clamp connection
Connection type 2	spring clamp connection

Minimum cross section solid	0.13 mm ²
Maximum cross section solid	4 mm ²
Minimum cross section fine stranded	0.13 mm ²
Maximum cross section fine stranded	2.5 mm ²
Wire strip length	11 mm

Technical Data UL/CSA

Cross section UL	22-12 AWG
Voltage UL	600 V
Current factory wiring	20 A
Current field wiring	20 A
Cross section CSA	24-12 AWG
Voltage CSA	600 V
Current CSA	25 A

Classification

ECLASS 11	
ECLASS 8.1	27141120
ETIM 7.0	EC000897
ETIM 6.0	EC000897
ETIM 5.0	EC000897
ETIM 4.0	EC000897
ETIM 3.0	EC000897

Product compliance

ROHS conformity status	Compliant
REACH-SVHC conformity status	Compliant

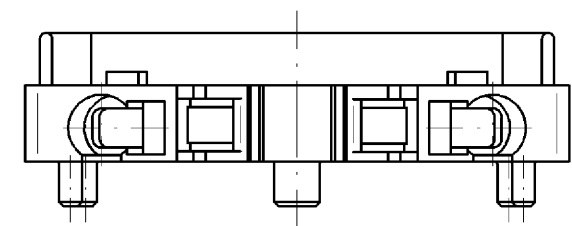
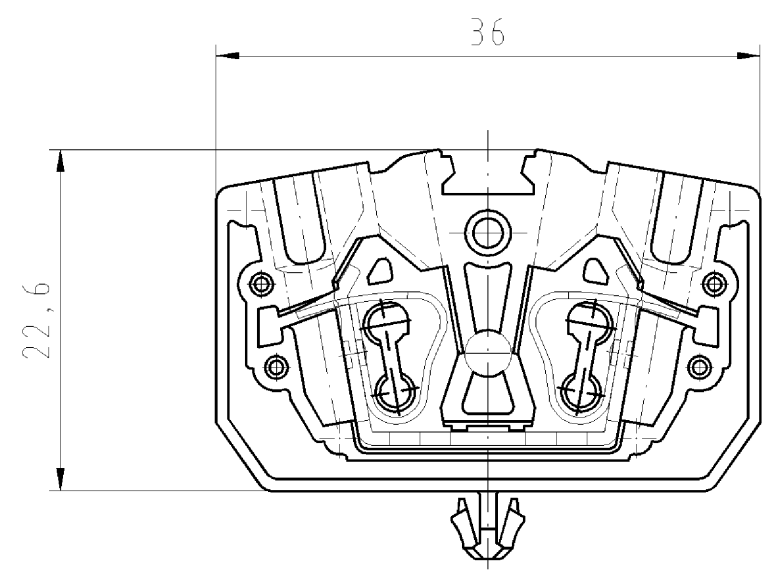
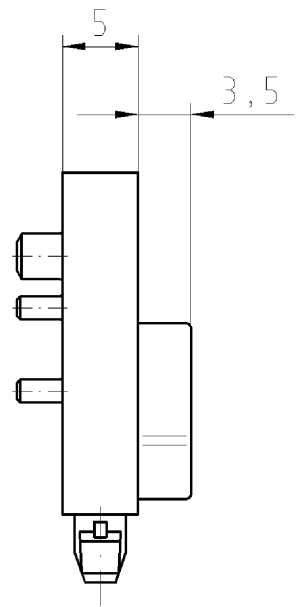
These dimensions will be especially checked at delivery
 Only inspection dimensions
 With /E marked dimensions are only valid for internal use

Diese Maße werden bei Abnahme besonders geprüft
 Ausschließlich Prüfmaße
 Mit /E gekennzeichnete Maße sind nur für interne Zwecke gültig

Rastfuß für Blechdicke 0,6-1,2mm
 Befestigungsloch Durchmesser=3,5mm

weitere Daten siehe Katalog
further data see katalog

Teile-Nr. part-no	Farbe colour	Type Type
38.703.0553.0	grau/gray	WKF 2,5/M/R
38.703.0553.6	blau/blue	WKF 2,5/M/R BLAU
38.703.0553.9	orange/orange	WKF 2,5/M/R ORANGE



Tolerierung nach DIN 7167/Tolerance system acc. to DIN 7167.
 (This DIN-standard describes the envelope principle. According to the envelope principle the deviations of form and parallelism are limited by the size tolerances).

ja/yes Stoffverbots- und Deklarationsliste nach UU-TQM-05/03 ist einzuhalten.
 Conformity with Wieland document UU-TQM-05/03 (list of prohibited / declarable hazardous substances) to be declared!

Freitoleranz nach General tolerance		CAD - Zeichnung, keine manuellen Änderungen CAD - drawing, no manual modifications allowed		1. Verwendung: - First Use:		Blatt: 1 von 1 Sheet: 1 of 1	
/		Werkstoff/Material		2006 gezeichnet drawn	Tag/Date 06.12.	Name Bauer F.	
/	Maßstab/Scale	2:1		geprüft checked	-	T Zeichnung Nr./Drawing No. 38.703.0553.0 01K	
/	Vol.	mm ³ Oil./Surf.	mm ²	Ersatz für/Replacement for: -		Maße in mm/Dimensions are in mm	
Index		Datum / Blatt Date / Sheet		Type WKF 2,5 /M/R..		Benennung/Title DURCHGANGSKLEMME Federkraftanschluß 2,5mm ² feed-through block, spring clamp connection	
Änderung/Revision				Elektrische Verbindungen			

Weitergabe sowie Vervielfältigung dieses Dokuments, Verwertung und Mitteilung seines Inhalts sind verboten, soweit nicht ausdrücklich gestattet.
 The reproduction, distribution and utilization of this document as well as the communication of its contents to others without express authorization is prohibited.

387030553001K_4_CADW1032_Bauer_2006-12-06T08:52:09 1.000