

Data sheet

Commercial Art.No.: 56.170.1055.0

High current terminal WRT 70/M8

High current terminal block with ring lug connection for mounting on TS35, nominal cross section: 70 mm², width: 32 mm, color: grey



Commercial Art.No.	56.170.1055.0
EAN	4049088260834
Order Unit	10

Certificates / Approvals



Technical data

General

Nominal cross section	70 mm ²
Color	Grey
Number of levels	1
Number of clamp positions per level	2
Width/grid dimension	32 mm
Insulating housing	PA66
Inflammability class of insulation material acc. with UL94	V0
Explosion-tested version "Ex e"	No
Mounting method	DIN rail (top hat rail) 35 mm
Terminal blocks for electrical installations	yes

Technical data

Rated current	192 A
Rated voltage	1000 V
Rated impulse voltage	8 kV
Pollution degree	3
Type of insulation material	Thermoplastic
Length	132 mm
Width	32 mm
Height	61 mm

Connection Data

Connection type	Bolt connection
-----------------	-----------------

Connection type 1	Bolt connection
Minimum cross section fine stranded	2.5 mm ²
Maximum cross section fine stranded	95 mm ²

Technical Data UL/CSA

Cross section UL	AWG 14 - 00
Voltage UL	1000 V
Current factory wiring	175 A
Cross section CSA	AWG 14 - 00
Voltage CSA	1000 V
Current CSA	170 A

Classification

ECLASS 11	
ECLASS 8.1	27141120
ETIM 7.0	EC000897
ETIM 6.0	EC000897
ETIM 5.0	EC000897

Product compliance

REACH-SVHC conformity status	Compliant
------------------------------	-----------

Accessories

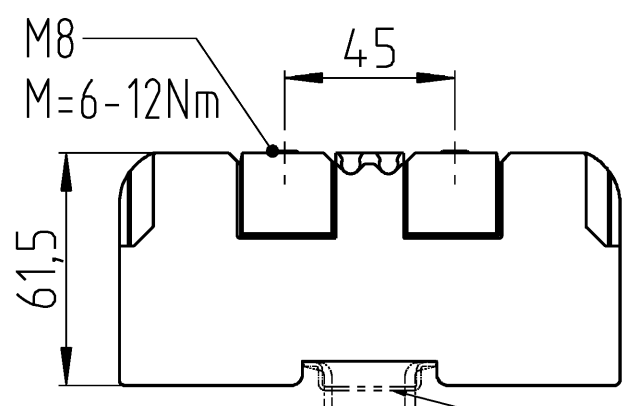
Commercial Art.No.:	Article-type description:	Description:
07.201.3227.6	Jumper bar VB WRT 70/ 2	Cross connector for terminal blocks type WRT 70, 2-pole
07.201.3327.6	Jumper bar VB WRT 70/ 3	Cross connector for terminal blocks type WRT 70, 3-pole
98.300.0000.0	Mounting rail TS 35x7,5 UNPERF - l:2000mm	Mounting rail TS 35, unslotted, size 7,5 mm, length 2 m, material steel. galv. zinc-plated and dichromated
98.300.1000.0	Mounting rail TS 35x7,5 PERF 15mm - l:2000mm	Mounting rail TS 35, slotted, size 7,5 mm, length 2 m, material steel. galv. zinc-plated and dichromated
98.300.1800.0	Mounting rail TS 35x7,5 PERF 18mm - l:2000mm	Mounting rail TS 35, slotted, size 7,5 mm, length 2 m, material steel. galv. zinc-plated and dichromated
98.300.1900.0	Mounting rail TS 35x7,5 PERF 25mm - l:2000mm	Mounting rail TS 35, slotted, size 7,5 mm, length 2 m, material steel. galv. zinc-plated and dichromated
98.360.0000.0	Mounting rail TS 35x15-2,3 UNPERF - l:2000mm	Mounting rail TS 35, unslotted, size 15 mm, length 2 m, material steel. galv. zinc-plated and dichromated
98.360.0004.0	Mounting rail TS 35x15-2,3 UNPERF FZN - l:2000mm	Mounting rail TS 35, unslotted, size 15 mm, length 2 m, material steel, hot galvanized
98.370.0000.0	Mounting rail TS 35x15 UNPERF - l:2000mm	Mounting rail TS 35, unslotted, size 15 mm, length 2 m, material steel. galv. zinc-plated and dichromated
98.370.1000.0	Mounting rail TS 35x15 PERF 15mm - l:2000mm	Mounting rail TS 35, slotted, size 15 mm, length 2 m, material steel. galv. zinc-plated and dichromated
98.380.0000.0	Mounting rail TS 35x15-2,3 UNPERF CU - l:2000mm	Mounting rail TS 35, unslotted, size 15 mm, length 2 m, material E copper
04.242.8053.0	Marking tag strips 9705 A / 8 / 10	Marking tag strips for DIN rail terminal blocks type 9700 A / 8..., 10 tags per strip, color: blue, unmarked, markable with Wieplot plotter-system

A
Weitergabe sowie Vervielfältigung dieses Dokuments, Verwertung und Mitteilung seines Inhalts sind verboten, soweit nicht ausdrücklich gestattet. Die Reproduktion, Distribution und Nutzung dieses Dokuments, sowie die Kommunikation der Inhalte mit Dritten ohne schriftliche Genehmigung ist untersagt.

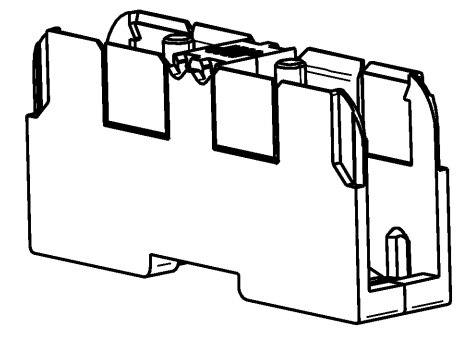
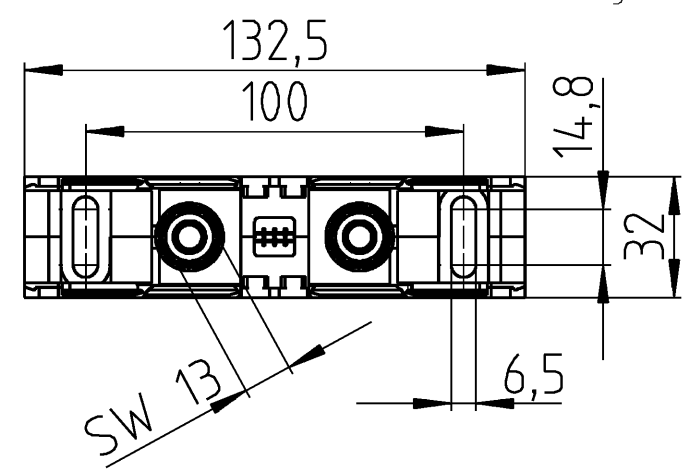
B
These dimensions will be especially checked at delivery
Only inspection dimensions
With I.E. marked dimensions are only valid for internal use

C
Diese Maße werden bei Abnahme besonders geprüft
Ausschließlich Prüfmaße
Mit I.E. gekennzeichnete Maße sind nur für interne Zwecke gültig

F
Index Datum / Blatt
Date / Sheet
Änderung / Revision



Hutschiene EN 60715-35x7,5
mounting rail EN 60715-35x7,5
Hutschiene EN 60715-35x15
mounting rail EN 60715-35x15



Zubehör
/Accessories:

- 07.431.7153.8 Abdeckung/Cover
- 07.201.3227.6 Verbindungssteg/Jumper bar (2)
- 07.201.3327.6 Verbindungssteg/Jumper bar (3)

Technische Daten
/Technical data

	IEC	c us factory field wiring	
Bemessungsspannung V rated voltage V	1000	1000	1000
Bemessungsstrom A rated current A	192	175	175
Bemessungsquerschnitt mm ² rated cross section mm ²	70		
AWG	14-3/0		
Bemessungsstoßspannung kV rated voltage kV	8		
Verschmutzungsgrad pollution degree	3		
Brennbarkeitsklasse nach UL94 flamability rating	V0		
Klemmbereich mm ² clamping range mm ²	2,5 - 95		
Bolzensgröße bolt size	M8		

56.170.1055.0	WRT 70 M8	/	X
Bestellnummer /Order number	Typ /Type	Varianten /Variants	dar- gestellt /drawn

Weitere Daten siehe KATALOG oder eKatalog
additional data see CATALOG or eCATALOG

www.wieland-electric.com
eshop.wieland-electric.com

Tolerierung Size ISO 14405 © / Tolerance system Size ISO 14405 ©. (This ISO-standard describes the envelope principle. According to the envelope principle the deviations of form and parallelism are limited by the size tolerances).		ja/yes <input checked="" type="checkbox"/> Stoffverbots- und Deklarationsliste nach WN 5020.010 ist einzuhalten. Conformity with Wieland document WN 5020.010 e (list of prohibited / declarable hazardous substances) to be declared!	
Freitoleranz nach General tolerance	CAD - Zeichnung, keine manuellen Änderungen CAD - drawing, no manual modifications allowed	1. Verwendung: First Use:	Blatt: Sheet: 1 von 1 of 1
/	Werkstoff / Material PA66/6 V0 grau/grey	Tag/Date 23.11.2017	Name Schmitt J.
/	Maßstab / Scale 1:2	gezeichnet drawn	geprüft checked
/	Vol. mm ³ / fl./Srf. mm ²	Normgepr. Stand. check	Zeichnung Nr. / Drawing No. 56.170.1055.0 13K
/	Ersatz für / Replacement for: 56.170.1055.0 01K	Maße in mm / Dimensions are in mm	
/	www.wieland-electric.com	Type selos WRT	Benennung/Title BOLZENKLEMME stud terminal
Index Änderung / Revision	Datum / Blatt Date / Sheet		