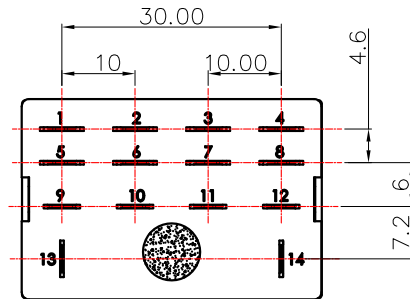
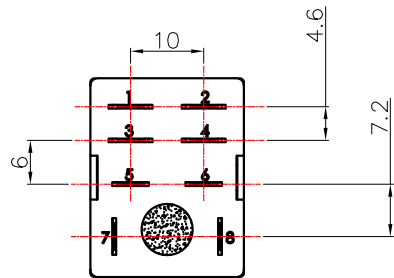
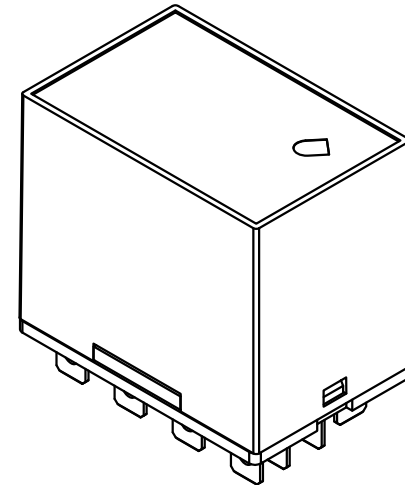
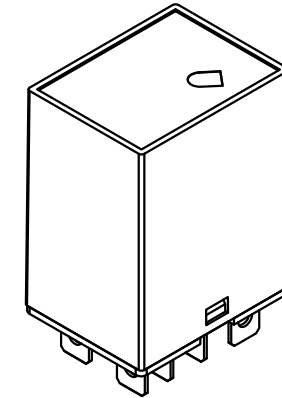
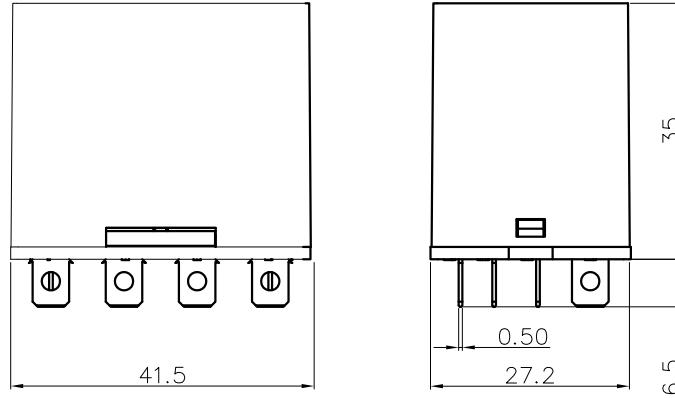
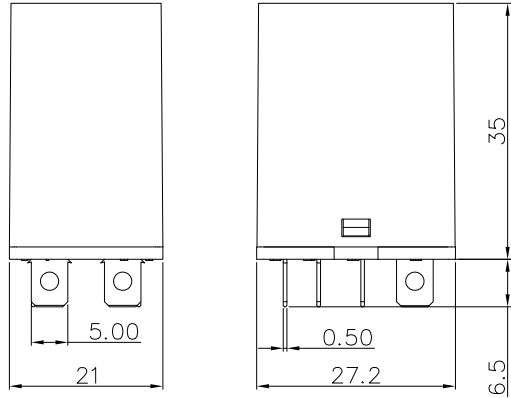


| REVISION RECORD |     |             |      |      |
|-----------------|-----|-------------|------|------|
| REV             | ECN | DESCRIPTION | DRFT | DATE |

DRPL-2C

DRPL-4C



Specifications

|                                   |  |
|-----------------------------------|--|
| Rated voltage                     | DC24V/AV220V                                     |
| Rated current                     | 10A  |
| Operate voltage                   | AC(50Hz)<80%Ue; DC<75%Ue                         |
| Release voltage                   | AC(50Hz)>30%Ue; DC>10%Ue                         |
| Coil power                        | 2C: DC: 0.9W/AC: 1.2VA<br>4C: DC: 1.5W/AC: 3.0VA |
| Dielectric voltage                |  |
| Between contacts                  | 1000VAC, 1Min (1mA)                              |
| Between contacts (different pole) | 1000VAC, 1Min (1mA)                              |
| Between contacts and coil         | 1500VAC, 1Min (1mA)                              |
| Temperature range                 | - 25 °C ~ +50 °C                                 |

| ITEM           | NAME OF PART         | MATERIAL   | NOTES   |          |           |                      |     |       |
|----------------|----------------------|--|---|----------|-----------|----------------------|-----|-------|
| DETACHED LISTS | PART NO.:            | 宁波高松电子有限公司<br>NINGBO DEGSON ELECTRICAL CO., LTD  |   |          |           |                      |     |       |
|                | APPD:                | NAME: DRPL-XX-XX-XX-02AH   |   |          |           |                      |     |       |
|                | CHKD:                | TITLE: CUSTOMER DRAWING  |   |          |           |                      |     |       |
|                | DRFT:                |  | <table border="1"> <tr> <td>REV</td> <td></td> </tr> <tr> <td>SHEET</td> <td>1/2</td> </tr> <tr> <td>SCALE</td> <td>1:1</td> </tr> </table> | REV      |           | SHEET                | 1/2 | SCALE |
| REV            |                      |  |   |          |           |                      |     |       |
| SHEET          | 1/2                  |  |   |          |           |                      |     |       |
| SCALE          | 1:1                  |  |   |          |           |                      |     |       |
|                |                      | <table border="1"> <tr> <td>DRAWING NO.:</td> <td>DRPL-E01</td> </tr> <tr> <td>MM (INCH)</td> <td>DO NOT SCALE DRAWING</td> </tr> </table> | DRAWING NO.:  | DRPL-E01 | MM (INCH) | DO NOT SCALE DRAWING |     |       |
| DRAWING NO.:   | DRPL-E01             |  |   |          |           |                      |     |       |
| MM (INCH)      | DO NOT SCALE DRAWING |  |   |          |           |                      |     |       |