

SMA Connector Series

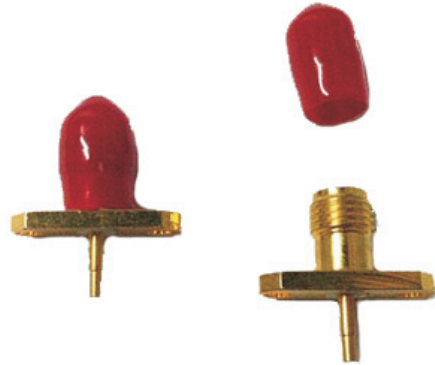
KLS1-SMA-KFD-L16 SMA Connectors

Material:

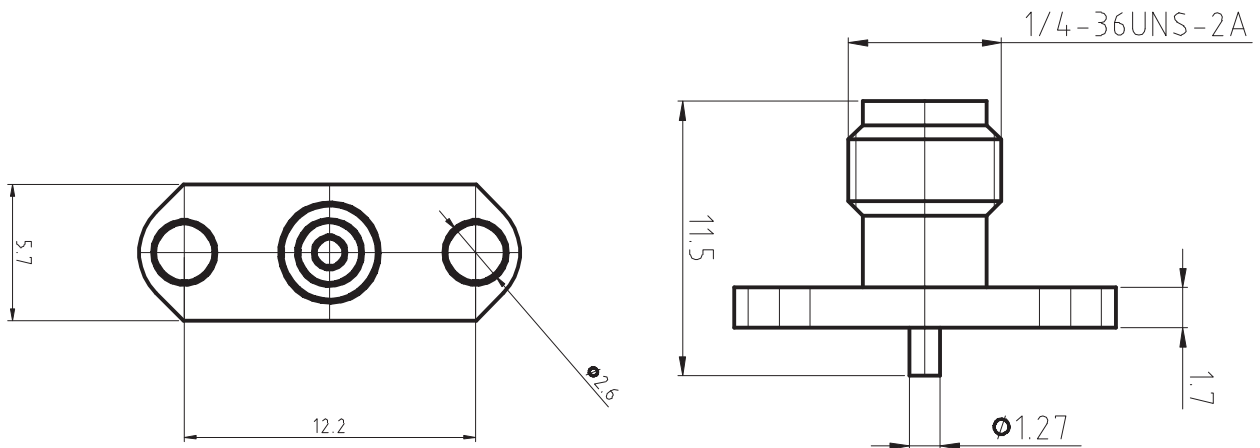
Connector body: Brass per QQ-B-626 ,gold Plating or nickel
Center contact Male: Brass, gold Plating
Center contact Female: Beryllium copper, gold Plating

Electrical Specifications:

Impedance: 50 Ω
Frequency Range: DC ~ 12.4GHz
Voltage Rating: 335 volts rms.
Dielectric Withstanding Voltage: 1000V rms
VSWR : $\leq 1.10 + 0.002f$ for Straight connector typical;
 $\leq 1.20 + 0.003f$ for Right angle connector typical
Contact Resistance Center contact: ≤ 3 m Ω ; Body: ≤ 2 m Ω
Insulation Resistance: ≥ 5000 M Ω
Temperature Range: - 65°C to +165°C



I



ORDER INFORMATION

Product NO.: L-KLS1-SMA-KFD-L16

Pos. NO.

SMA Connector

Length: 16mm