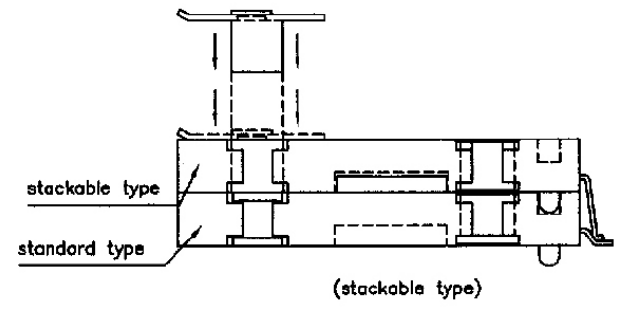
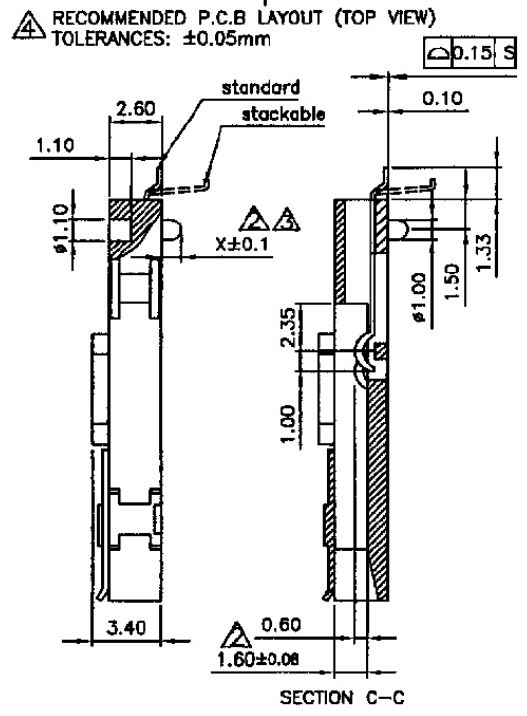
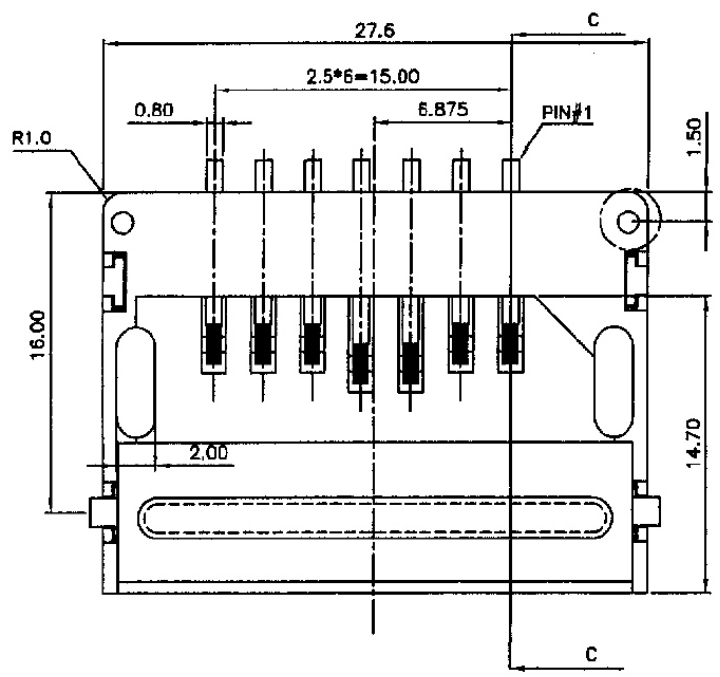


SPECIFICATION
MATERIAL
 Insulator: Thermal Plastic UL94V-0
 Contacts: Copper Alloy
 Boardlock: Copper Alloy
 CONTACT PLATING
 Underplate: 50μ" Nickel
 Contact Area: 1μ"~30μ" Selective Gold
 Solder Tail Area: 100μ" Tin/Lead(Brighten Tin) or 100μ" Tin/Lead Free(Brighten Tin/Matte Tin)
ELECTRICAL
 Current Rating: 1 A max
 Contact Resistance: 100 mohms Max.
 Insulation Resistance: 1000 Mohms Min.
MECHANICAL
 Mating Cycle: 5000 Cycles Min
 Operating Temperature: -40°C Min/+85°C max



PART NO. MMC-W25B-07		CHECKED BY CY		TOLERANCES ARE		DESCRIP TION:			
DWG NO. MMC-W25B-07		DRAWING BY		.X ± 0.2		AREA			
FILE NO.		PROJECTION		.XX ±					
UNIT / mm	SCALE 1:1			.XXX ±		REVISIONS		HK	DATE
				AWG					