

## Data sheet

Commercial Art.No.: 99.206.9996.2

PCB pin header 8213 S / 6 W OB OF

PCB pin header, connection method depends on used socket part , 6 poles, pitch: 5.08 mm, type of packing: carton, color: white



Commercial Art.No.	99.206.9996.2
EAN	4015573276307
Order Unit	50

Certificates / Approvals



## Technical data

### General

Modular spacing	5.08 mm
Soldering process	Wave soldering
Packaging	Carton
Number of poles	6
Number of levels	1
Marking	No
Fastening	None
Mating direction towards (circuit) board	180°

### Technical data

Rated current	12 A
Overvoltage Category I	1000 V
Overvoltage Category II	400 V
Overvoltage Category III	250 V
Rated impulse voltage	4 kV

### Technical Data UL/CSA

Voltage UL	300 V
Current field wiring	15 A
Current factory wiring	15 A
Voltage CSA	300 V
Current CSA	15 A

### Other

Type of insulation material	Thermoplastic
Color	Grey
Height	8.4 mm
Length	31.88 mm

Depth	12 mm
Material contact base	CuZn
Material contact surface	Sn

#### Classification

ECLASS 11	
ECLASS 8.1	27440402
ETIM 7.0	EC002637
ETIM 6.0	EC002637
ETIM 5.0	EC002637
ETIM 4.0	EC002637

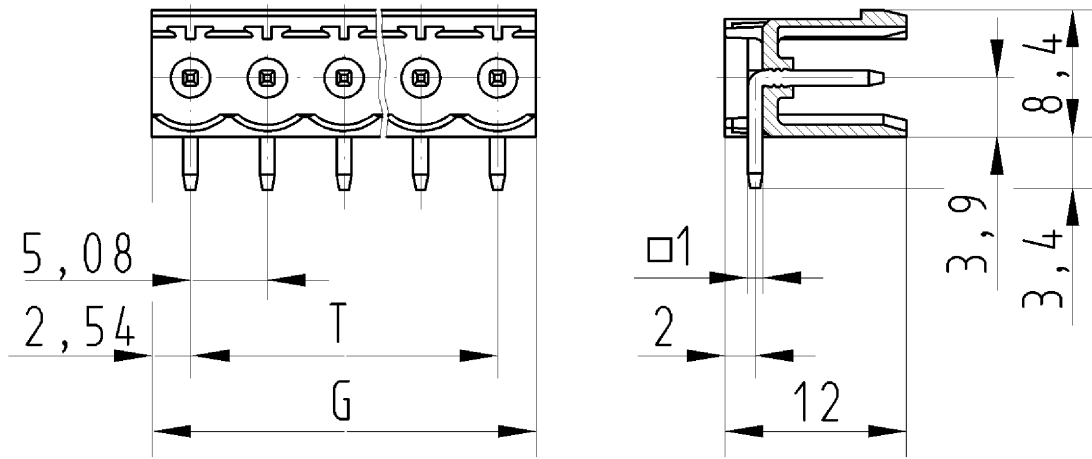
#### Product compliance

ROHS conformity status	Compliant
REACH-SVHC conformity status	Compliant

#### Fits with

Commercial Art.No.:	Article-type description:	Description:
25.240.3653.0	PCB connector 8213 B / 6 TOP OB	PCB female connector with front/top screw connection, 6 poles, max. cross section: 2.5 mm <sup>2</sup> , pitch: 5.08 mm, type of packing: carton, color: grey
25.240.0653.0	PCB connector 8213 B / 6 TOP	PCB female connector with front/top screw connection, 6 poles, printed version, max. cross section: 2.5 mm <sup>2</sup> , pitch: 5.08 mm, type of packing: carton, color: grey
25.340.3653.0	PCB connector 8213 B / 6 OB	PCB female connector with screw connection with rising cage clamp system, 6 poles, max. cross section: 2.5 mm <sup>2</sup> , pitch: 5.08 mm, type of packing: carton, color: grey
25.340.0653.0	PCB connector 8213 B / 6	PCB female connector with screw connection with rising cage clamp system, 6 poles, printed version, max. cross section: 2.5 mm <sup>2</sup> , pitch: 5.08 mm, type of packing: carton, color: grey
25.345.3653.0	PCB connector 8213 B / 6 VR OB	PCB female connector with screw connection with rising cage clamp system, 6 poles, max. cross section: 2.5 mm <sup>2</sup> , pitch: 5.08 mm, type of packing: carton, color: grey
25.345.0653.0	PCB connector 8213 B / 6 VR	PCB female connector with screw connection with rising cage clamp system, 6 poles, printed version, max. cross section: 2.5 mm <sup>2</sup> , pitch: 5.08 mm, type of packing: carton, color: grey
25.346.3653.0	PCB connector 8213 B / 6 VL OB	PCB female connector with screw connection with rising cage clamp system, 6 poles, max. cross section: 2.5 mm <sup>2</sup> , pitch: 5.08 mm, type of packing: carton, color: grey
25.346.0653.0	PCB connector 8213 B / 6 VL	PCB female connector with screw connection with rising cage clamp system, 6 poles, printed version, max. cross section: 2.5 mm <sup>2</sup> , pitch: 5.08 mm, type of packing: carton, color: grey
27.341.3653.0	PCB connector 8213 B / 6 S OB	PCB female connector, 6 poles, pitch: 5.08 mm, type of packing: carton,color: grey
25.840.3653.0	PCB connector 8213 BFK / 6 TOP OB	PCB female connector with tension spring connection, 6 poles, max. cross section: 2.5 mm <sup>2</sup> , pitch: 5.08 mm, type of packing: carton, color: grey
25.840.0653.0	PCB connector 8213 BFK / 6 TOP	PCB female connector with tension spring connection, 6 poles, printed version, max. cross section: 2.5 mm <sup>2</sup> , pitch: 5.08 mm, type of packing: carton, color: grey

25.343.3653.0	PCB connector 8213 BL / 6 W OB	PCB female connector with pin header, connection method depends on usedsocket part , 6 poles, pitch: 5.08 mm, type of packing: carton, color: grey
25.343.0653.0	PCB connector 8213 BL / 6 W	PCB female connector with pin header, connection method depends on usedsocket part , 6 poles, printed version, pitch: 5.08 mm, type of packing: carton, color: grey
25.342.3653.0	PCB connector 8213 BL / 6 G OB	PCB female connector with pin header, connection method depends on usedsocket part , 6 poles, pitch: 5.08 mm, type of packing: carton, color: grey
25.342.0653.0	PCB connector 8213 BL / 6 G	PCB female connector with pin header, connection method depends on usedsocket part , 6 poles, printed version, pitch: 5.08 mm, type of packing: carton, color: grey



für folgende Tabellen-Zchnng.:  
99.202.9996.2 8213 S/...WOF

LP-STIFTLISTE OFFEN  
99.202.9996.2 10W  
08.11.2007 SCJ