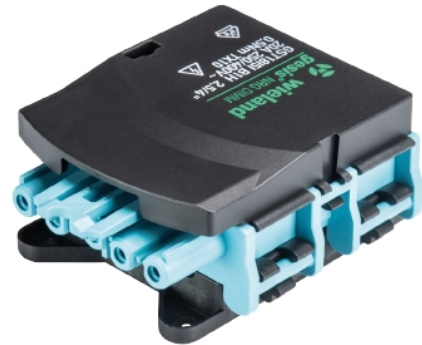


Data sheet

Commercial Art.No.: 92.051.5553.0

Flat cable adapter GST18I5I B1H F7V PB

gesis® NRG flat cable adapter to GST18i5; Code 2 mains + dimming; colour of coding: pastel blue; 250/400 V; 20 A; pluggable output parallel to flat cable; piercing-contact screws with Torx-head; for gesis® NRG flatcable 5G2,5 and 5G4.



Commercial Art.No.	92.051.5553.0
EAN	4049088287077
Order Unit	1

Certificates / Approvals



Technical data

Technical data

Rated current	20 A
Number of poles	5
Degree of protection (IP)	IP20
Model	Tapp-off
Selection of phase	L1-L3
Type of integrated switching	None
Marking of poles	D1, D2, L, PE, N
Mechanical coding	Code 2
Color of coding/ contact carrier	pastel blue
Color housing	black
Transparent	No
Locking mechanism	Central clamp
Max. continuous temperature resistance contact part	100 °C
Fire load	0.59 kWh
halogen free	yes
Contact material	CuZn
Phase selection	No
Length	89.5 mm
Height	37.2 mm
Width	61 mm

Classification

ECLASS 11	
ECLASS 8.1	27440601
ETIM 7.0	EC002588

ETIM 6.0	EC002588
ETIM 5.0	EC002588
ETIM 4.0	EC002588

General

Rated current	20 A
Degree of protection (IP)	IP20
Mechanical coding	Code 2
Marking of poles	D1, D2, L, PE, N
Color of coding/ contact carrier	pastel blue
Color housing	black
Lockable	self-locking (unlocking by tool)

Model

Model	Tapp-off
Selection of phase	L1-L3

Material

halogen free	yes
Contact material	CuZn
Fire load	0.59 kWh

Dimensions

Length	89.5 mm
Width	61 mm
Height	37.2 mm

Product compliance

ROHS conformity status	Compliant/Exempted
ROHS exceptions	III-6(c)
REACH-SVHC conformity status	Duty-To-Declare
REACH-SVHC substances	Lead
REACH-SVHC CAS numbers	7439-92-1

Accessories

Commercial Art.No.:	Article-type description:	Description:
05.566.9253.0	cover cap GST18i5 BUCHSEN	Cover for female connectors GST18i5, black
05.564.5353.0	cover cap GST18i3/4/5 SW	Cover piece 12 pole black for female parts GST18i3-6
05.564.5353.2	cover cap GST18i3/4/5 WS	Cover piece 12 pole white for female parts GST18i3-6
06.502.5810.0	Screwdriver bit TX 10x25	Screw driver insert TX 10x25 for hexagon socket
99.681.0000.0	sample case GESIS NRG 5x2,5+5x4MM²	gis@ NRG sample case 5G2,5 and 5G4 mm²; contains feed-in and tapping gis@ NRG BASIC and DIMM, flat cable 5G2,5 mm² PVC pastel blue, flat cable 5G4 mm² halogenfree green, end caps, screw driver TX10.

Fits with

Commercial Art.No.:	Article-type description:	Description:

00.712.0303.6	Flat cable 5G2,5MM ² PVC BLAU	geis® NRG DIMM flat cable; mains+signal 5G2.5; 20 A; 0.6/1 kV; PVC CPR class Eca; color: blue.
00.770.0303.6	Flat cable 5G2,5MM ² HF BLAU	geis® NRG DIMM flat cable; mains+signal 5G2.5; 20 A; 0.6/1 kV; halogen free fire class: B2ca s1a d1 a1; color: blue.
00.770.0304.6	Flat cable 5G4MM ² HF BLAU	geis® NRG DIMM flat cable; mains+signal 5G4; 20 A; 0.6/1 kV; halogen free fire class: B2ca s1a d1 a1; color: blue.
00.710.0303.6	Flat cable 5G2,5MM ² HF BLAU	geis® NRG DIMM flat cable; mains+signal 5G2.5; 20 A; 0.6/1 kV; halogen free CPR class Eca; color: blue.
00.710.0304.6	Flat cable 5G4MM ² HF BLAU	geis® NRG DIMM flat cable; mains+signal 5G4; 20 A; 0.6/1 kV; halogen free CPR class Eca; color: blue.

A

B

C

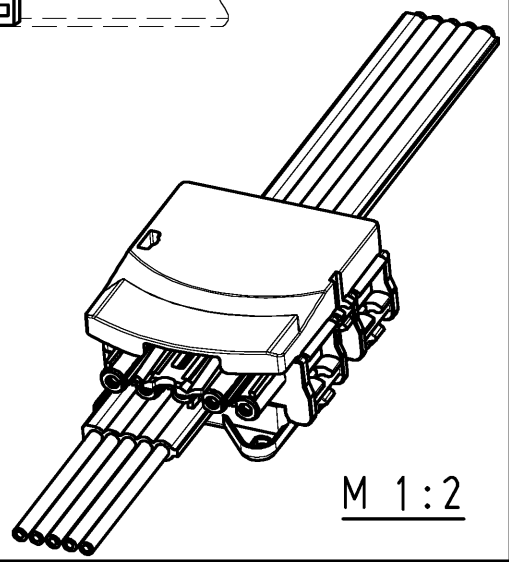
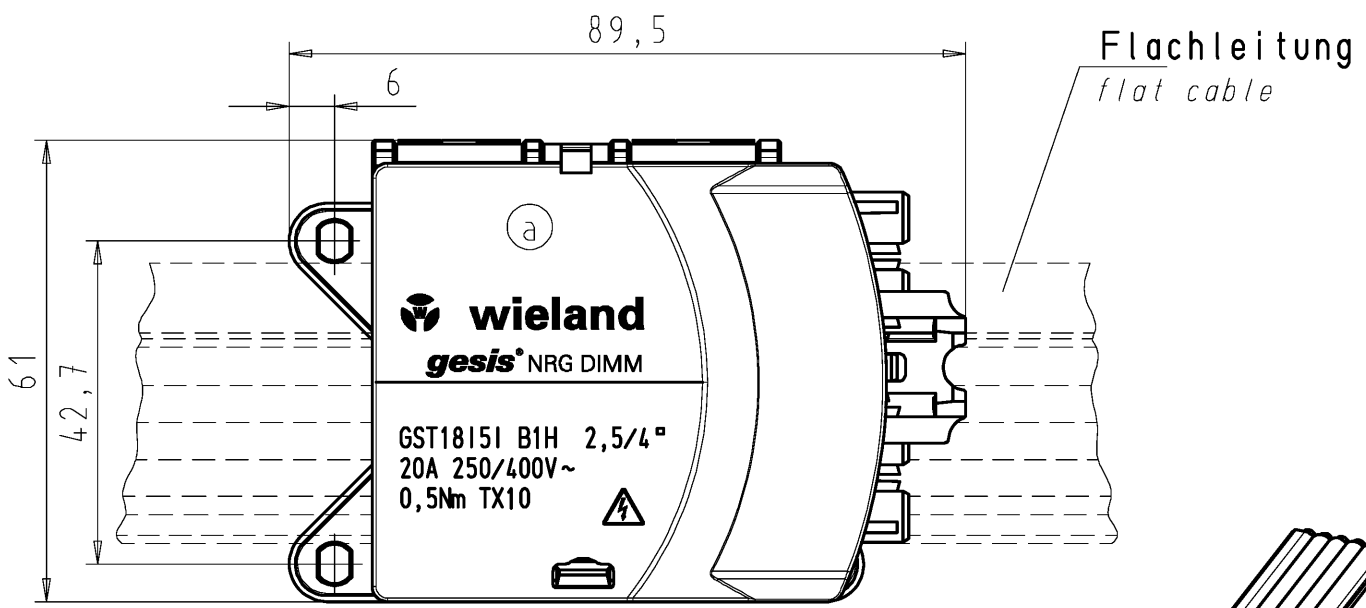
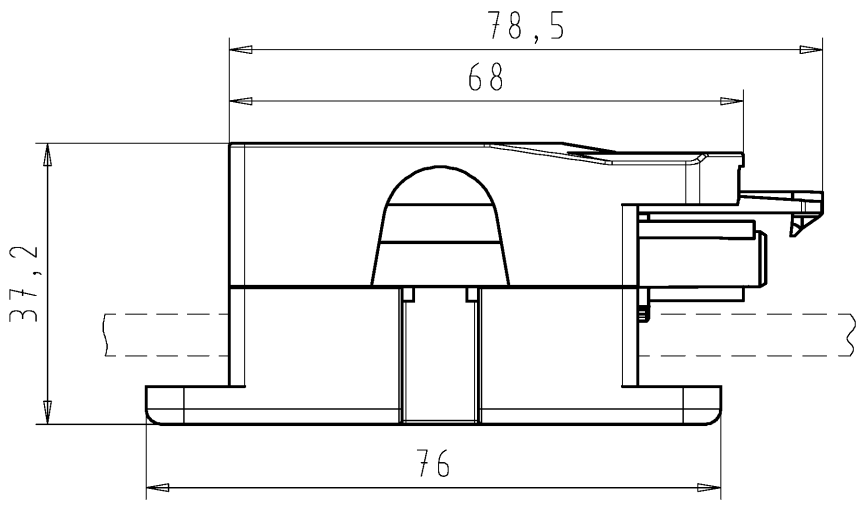
D

E

F

These dimensions will be especially checked at delivery
 Only inspection dimensions
 With /E marked dimensions are only valid for internal use

Diese Maße werden bei Abnahme besonders geprüft
 Ausschließlich Prüfmaße
 Mit /E gekennzeichnete Maße sind nur für interne Zwecke gültig



M 1:2

Weitergabe sowie Vervielfältigung dieses Dokuments, Verwertung und Mitteilung seines Inhalts sind verboten, soweit nicht ausdrücklich gestattet. Die Reproduktion, Distribution und Utilization of this document as well as the communication of its contents to others without express authorization is prohibited.

Tolerierung Size ISO 14405(E)/Tolerance system Size ISO 14405(E).
 (This ISO-standard describes the envelope principle. According to the envelope principle the deviations of form and parallelism are limited by the size tolerances).

ja/yes Stoffverbots- und Deklarationsliste nach WN 5020.010 ist einzuhalten.
 Conformity with Wieland document WN 5020.010 e (list of prohibited / declarable hazardous substances) to be declared!

Freitoleranz nach General tolerance

CAD - Zeichnung, keine manuellen Änderungen
 CAD - drawing, no manual modifications allowed

1.Verwendung: -
 First Use:

Blatt: 1 von 1
 Sheet: of

	/		Werkstoff/Material	2015	Tag/Date	Name	Zeichnung Nr./Drawing No.	Index
	/		Farbe/ colour	gezeichnet drawn	06.03.	Treschan		
	/	Maßstab/Scale 1:1	pastellblau/ pastel blue	geprüft checked	-	-	92.051.5553.0 01K a	a
	/			Normgepr. Stand. check	-	-		
Maße in mm/Dimensions are in mm								
	/	Vol.	mm ³ Of l./Surf.	mm ²	Ersatz für/Replacement for: -			
	/			Type	Benennung/Title			
a	13.05.2015/			www.wieland-electric.com		GST18151	BUCHSENTEIL_5P_PB	
Index	Datum / Blatt Date / Sheet			BIH PB	für Flachbandleitung female connector for flat cable			
Änderung/Revision								