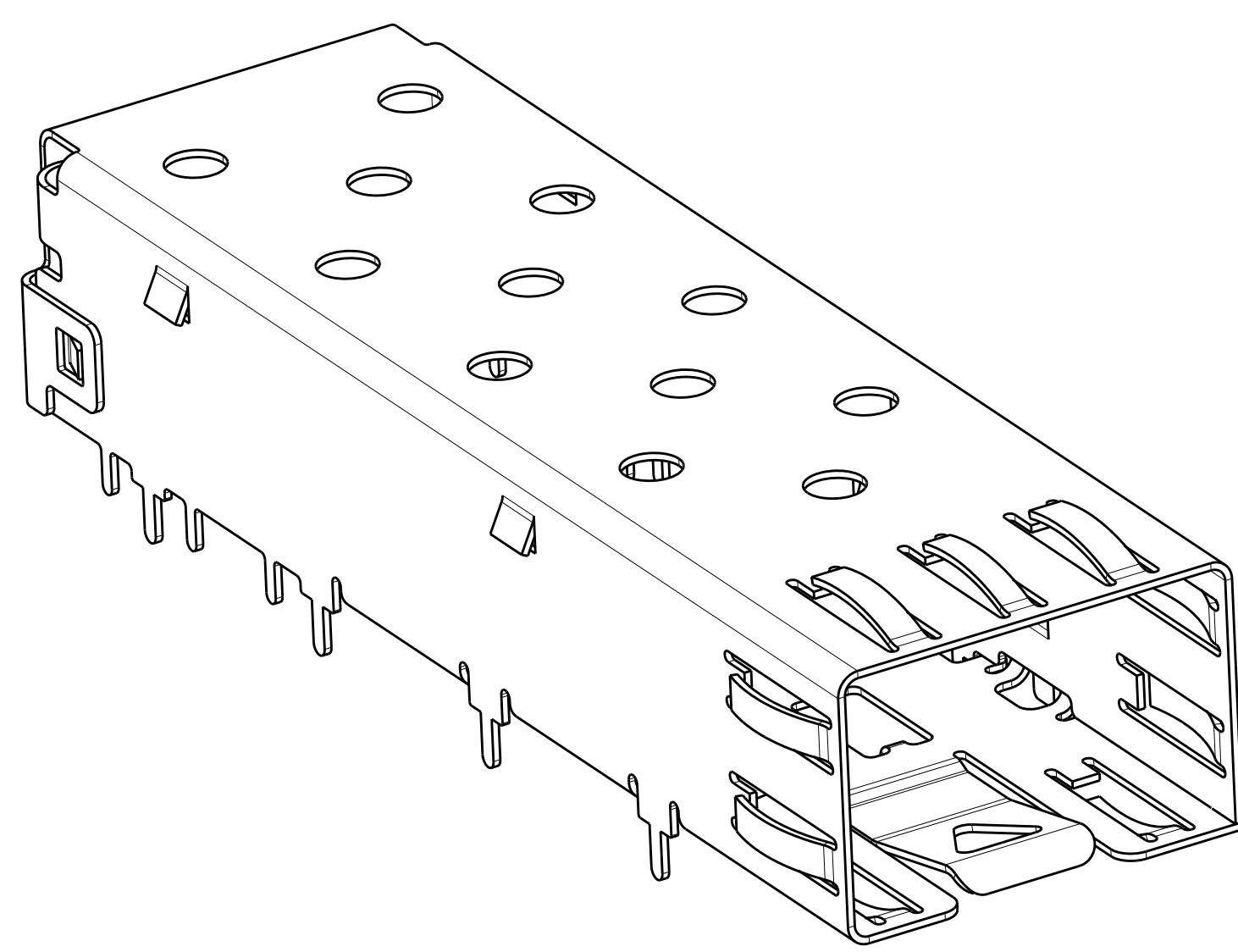
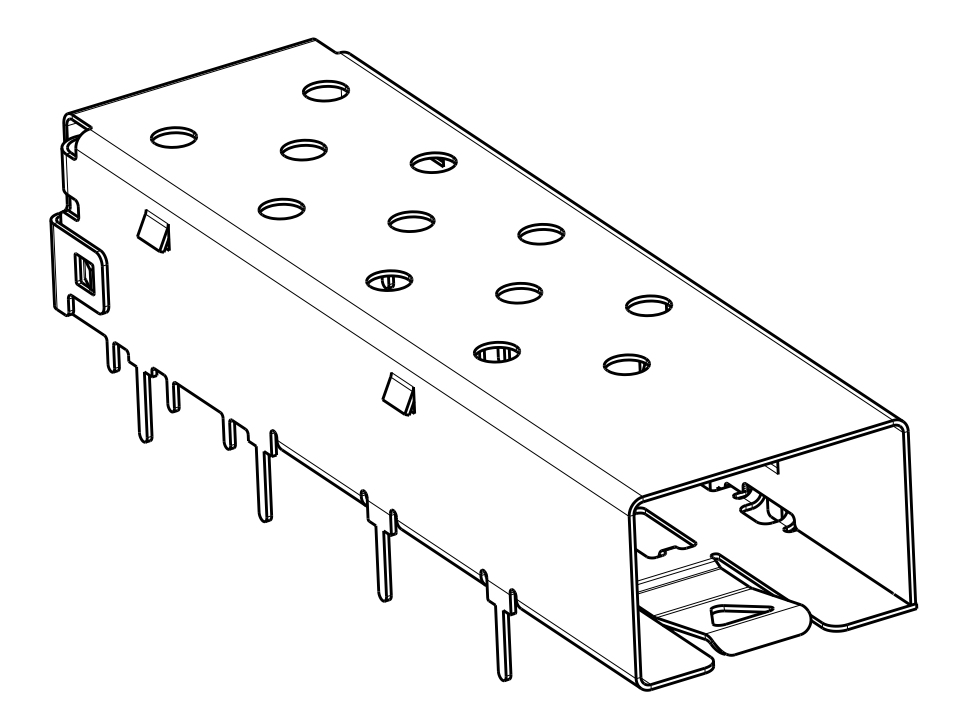


LOC	DIST	REVISIONS					
		P	LTN	DESCRIPTION	DATE	DWN	APVD
GP	00	B		REVISED PER ECR-18-013640	28AUG2018	IT	SH
		C		REVISED PER ECR-19-008054	22MAY2019	IT	SH
		C1		ADD PN 2-4	27AUG2019	IT	SH

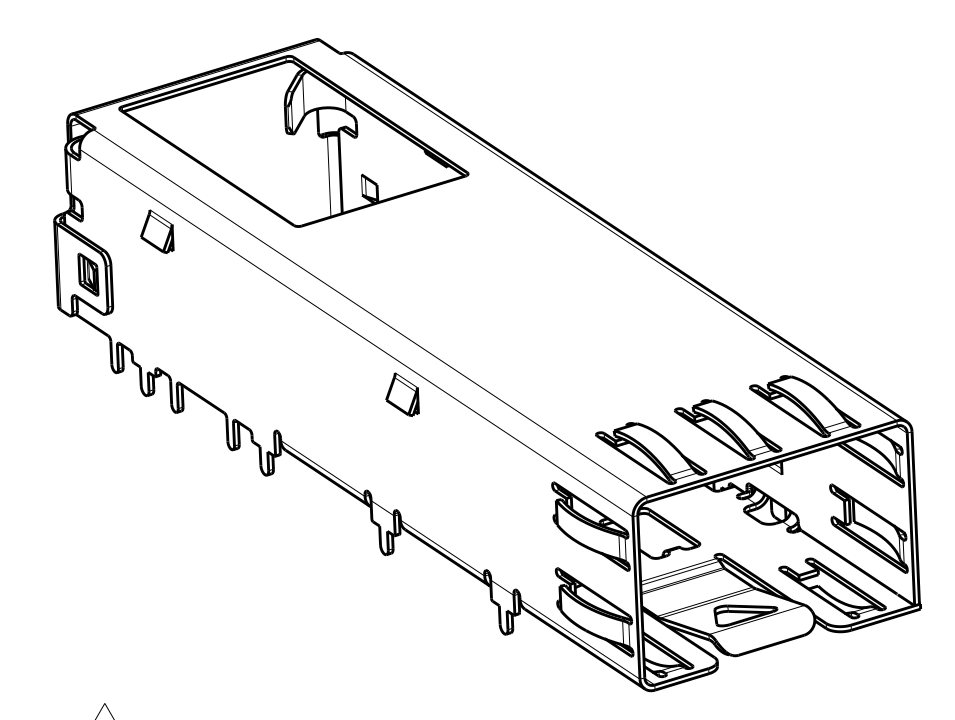
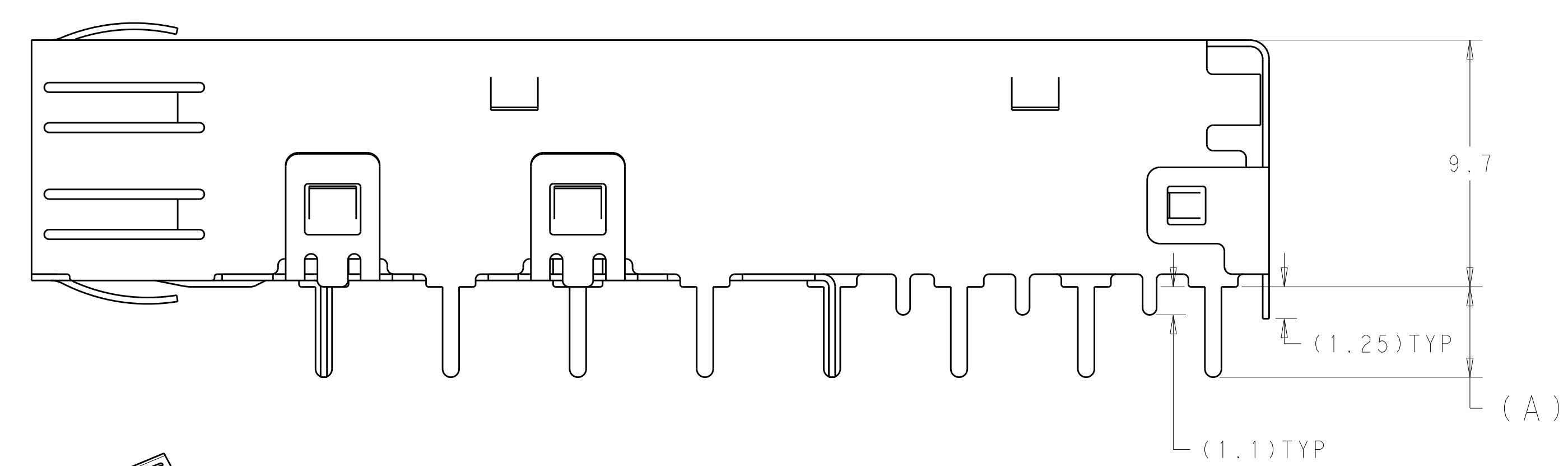
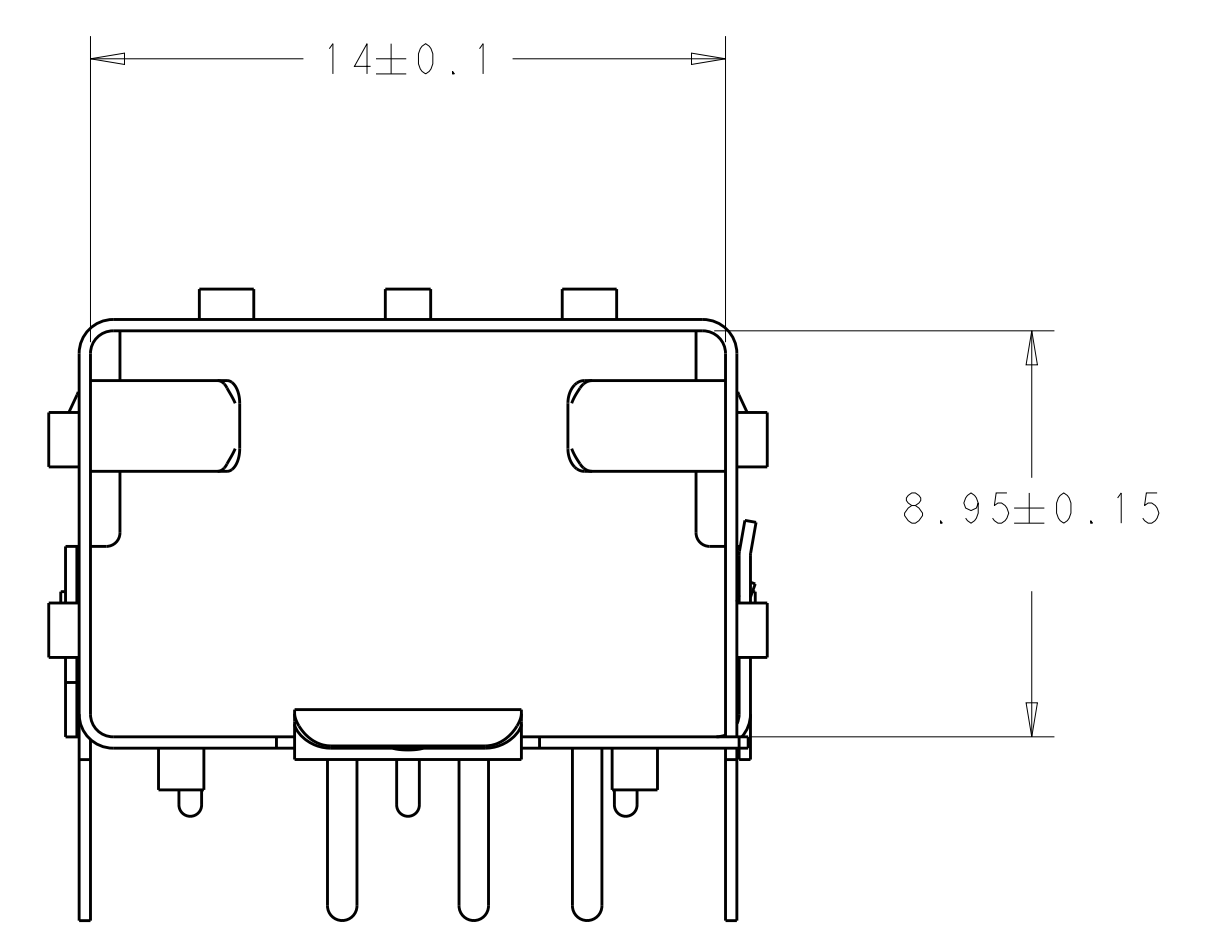
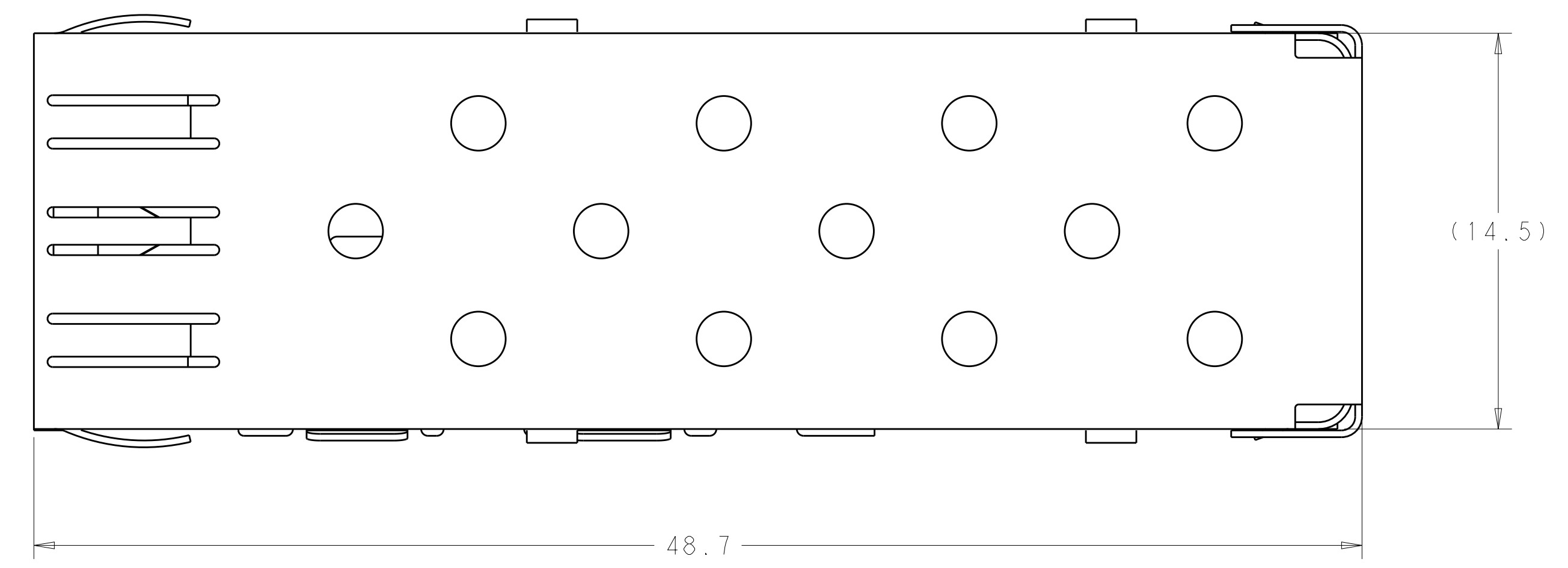


2227303-1, -2, -3, -7  
 1-2227303-2

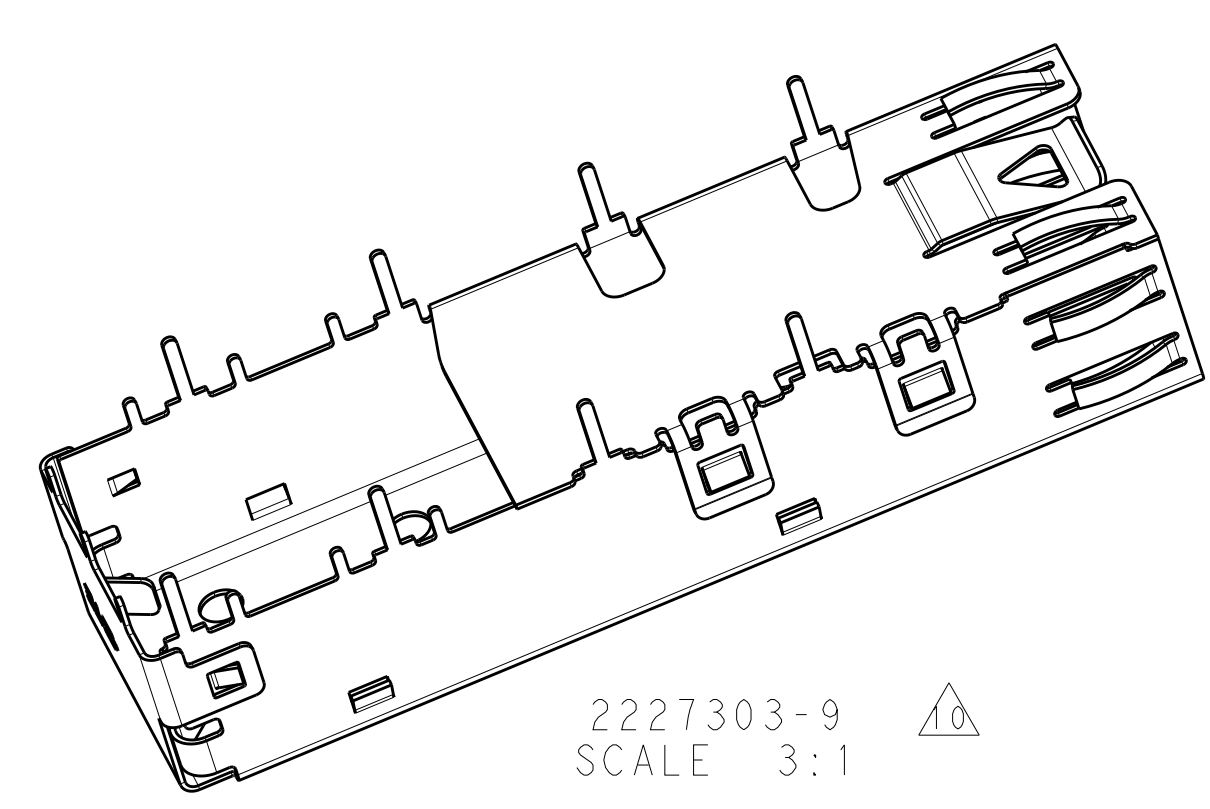
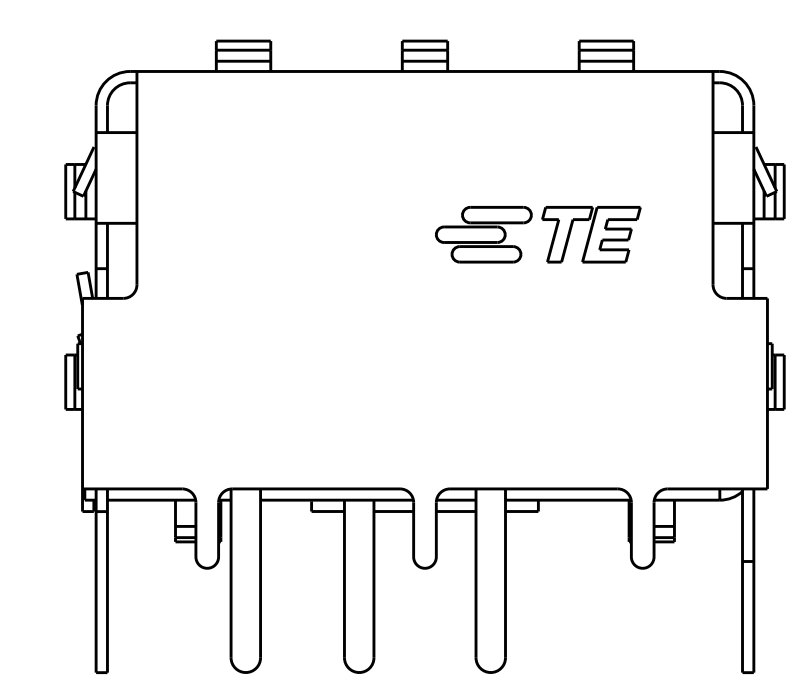
- △ MATERIAL: 0.25mm THICK STAINLESS STEEL.
- △ FINISH: 0.00125mm Min. NICKEL OVER ALL , 0.002mm Min. TIN DIPPED ON SOLDER TABS, NON PLATED EDGES PERMISSIBLE.
- 3. MATES WITH SFP MSA COMPLIANT TRANSCEIVERS.
- △ PADS AND VIAS CHASSIS GROUND.
- △ DATUM AND BASIC DIMENSION ESTABLISHED BY CUSTOMER.
- 6. MINIMUM PC BOARD THICKNESS:  
 SINGLE SIDED = 1.50 mm
- △ REFERENCE APPLICATION SPEC. 114-13120, HOLE A, FOR RECOMMENDED DRILL HOLE DIAMETER AND PLATING THICKNESS.
- △ REFERENCE APPLICATION SPEC. 114-13120, HOLE C, FOR RECOMMENDED DRILL HOLE DIAMETER AND PLATING THICKNESS.
- △ ESD PROTECTION PACKAGE.
- △ WITHOUT THREE LOCATION PINS
- △ WITHOUT EMI SPRING
- △ WITH CUSTOMIZED HEATSINK OPEN
- △ PRELIMINARY PART



△ 1-2227303-1



△ 2-2227303-2, 2-2227303-4



2227303-9  
 SCALE 3:1

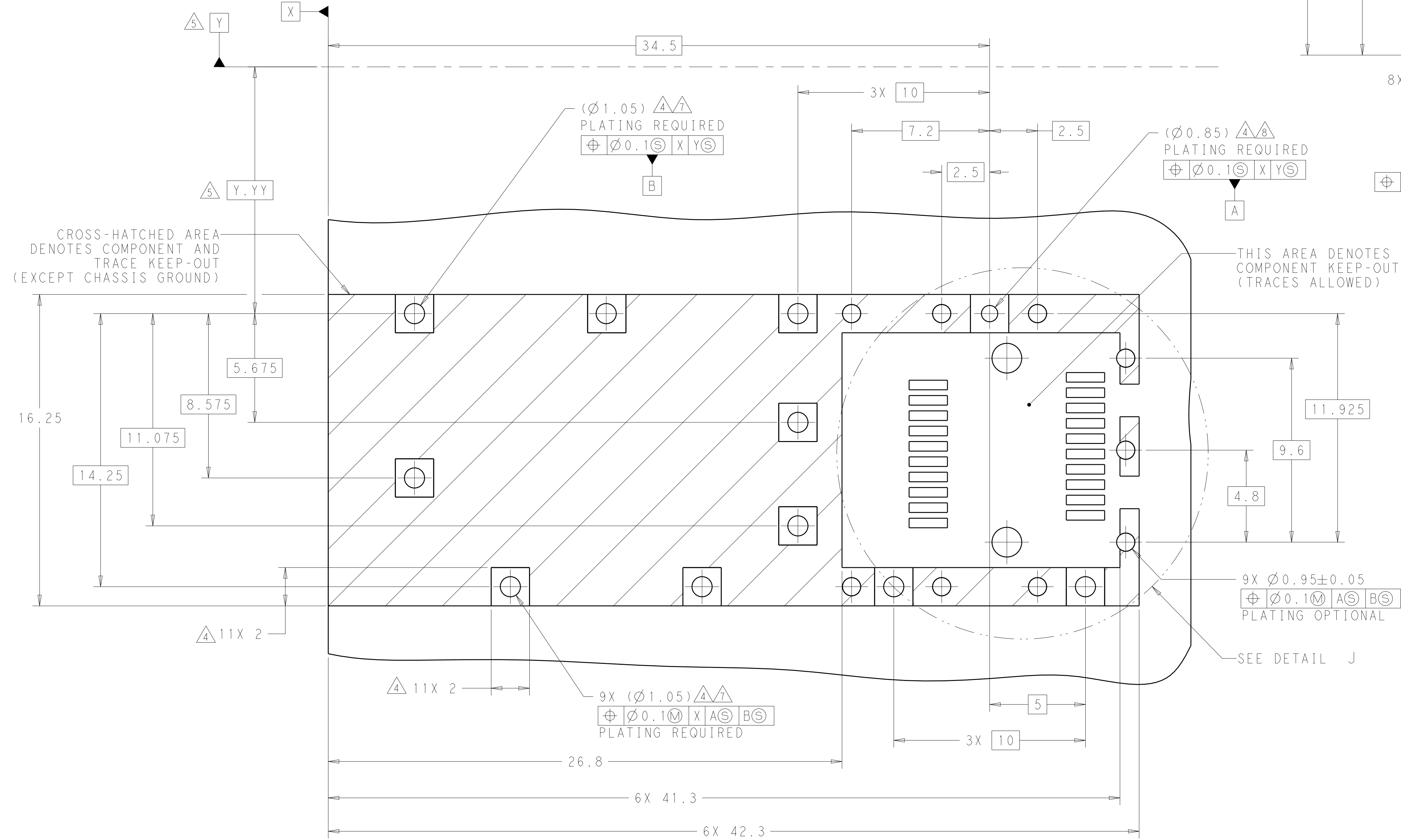
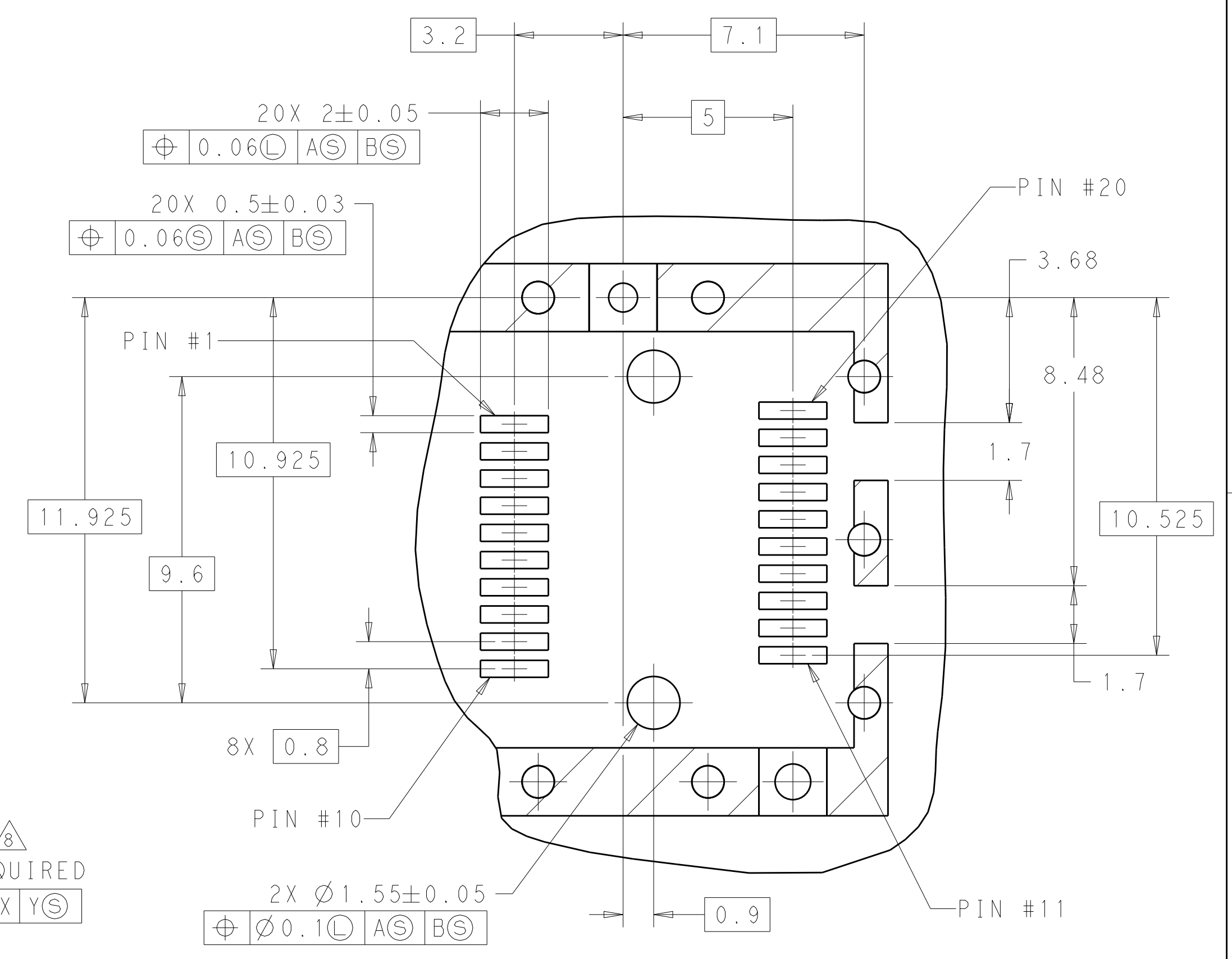
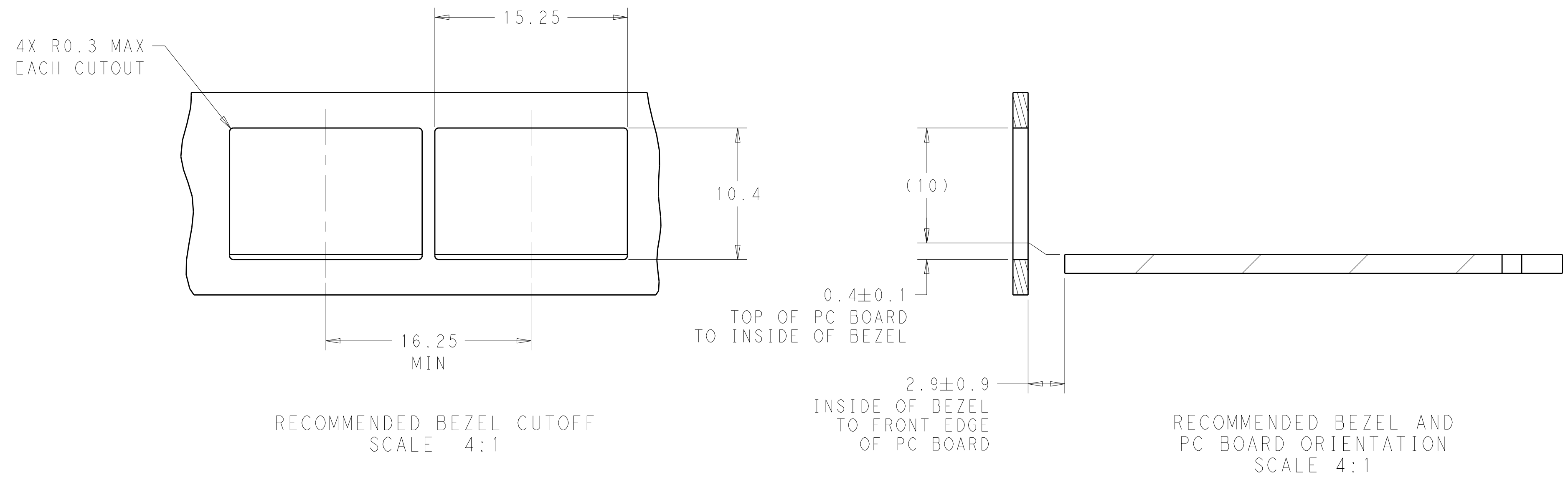
WITH HEATSINK OPEN	△ REEL	1.25	2-2227303-4
WITH HEATSINK OPEN	△ REEL	1.25	2-2227303-2
WITHOUT EMI SPRING	△ TRAY	3.55	1-2227303-1
WITHOUT LOCATION PIN	△ TRAY	3.55	2227303-9
ALL PINS 3.55 LENGTH	△ TRAY	3.55	2227303-7
STANDARD TYPE WITH AIR VENTS, EMI SPRING, LOCATION PIN	△ REEL	1.80	1-2227303-2
	TRAY	1.80	2227303-3
	REEL	1.80	2227303-2
	TRAY	3.55	2227303-1
DESCRIPTION	PACKAGING	A	PART NUMBER

THIS DRAWING IS A CONTROLLED DOCUMENT. DIMENSIONING AND TOLERANCING PER ASME Y14.5M-2009.		DWN C. VALENTINE 19OCT2012	TE Connectivity	
DIMENSIONS: mm		CHK M. SCHMITT 19OCT2012	NAME SFP, 1X1 SINGLE PIECE CAGE, SOLDER PIN	
TOLERANCES UNLESS OTHERWISE SPECIFIED:		APVD M. SCHMITT 19OCT2012	PRODUCT SPEC 108-1950	
0 PLC ±0.1		APPLICATION SPEC 114-13120		
1 PLC ±0.1		SIZE A100779		
2 PLC ±0.1		CAGE CODE C=2227303		
3 PLC ±0.1		DRAWING NO Customer Drawing		
4 PLC ±0.1		SCALE 6:1		
ANGLES ±°		SHEET 1 OF 3		
FINISH		REV C1		

LOC	DIST	REV	DATE	BY	APPV
GP	00				

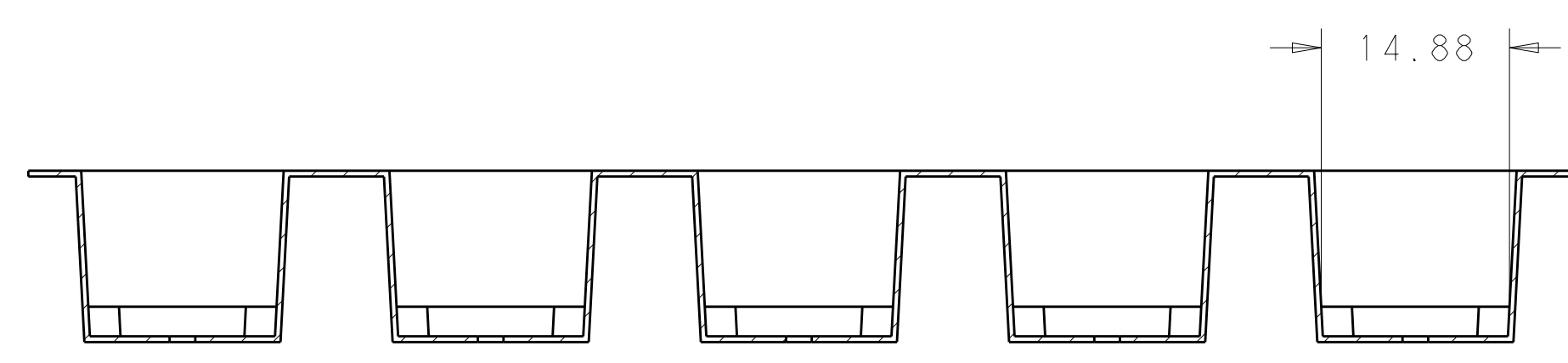
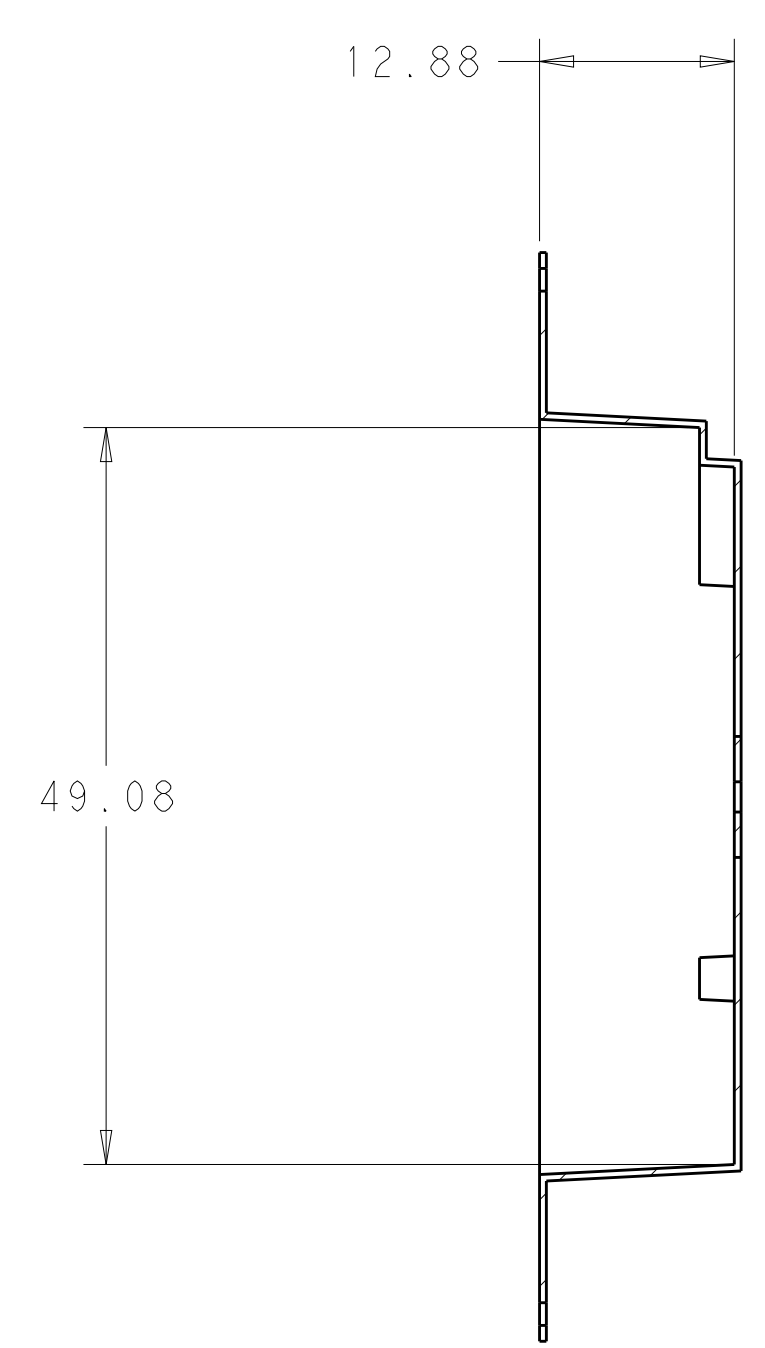
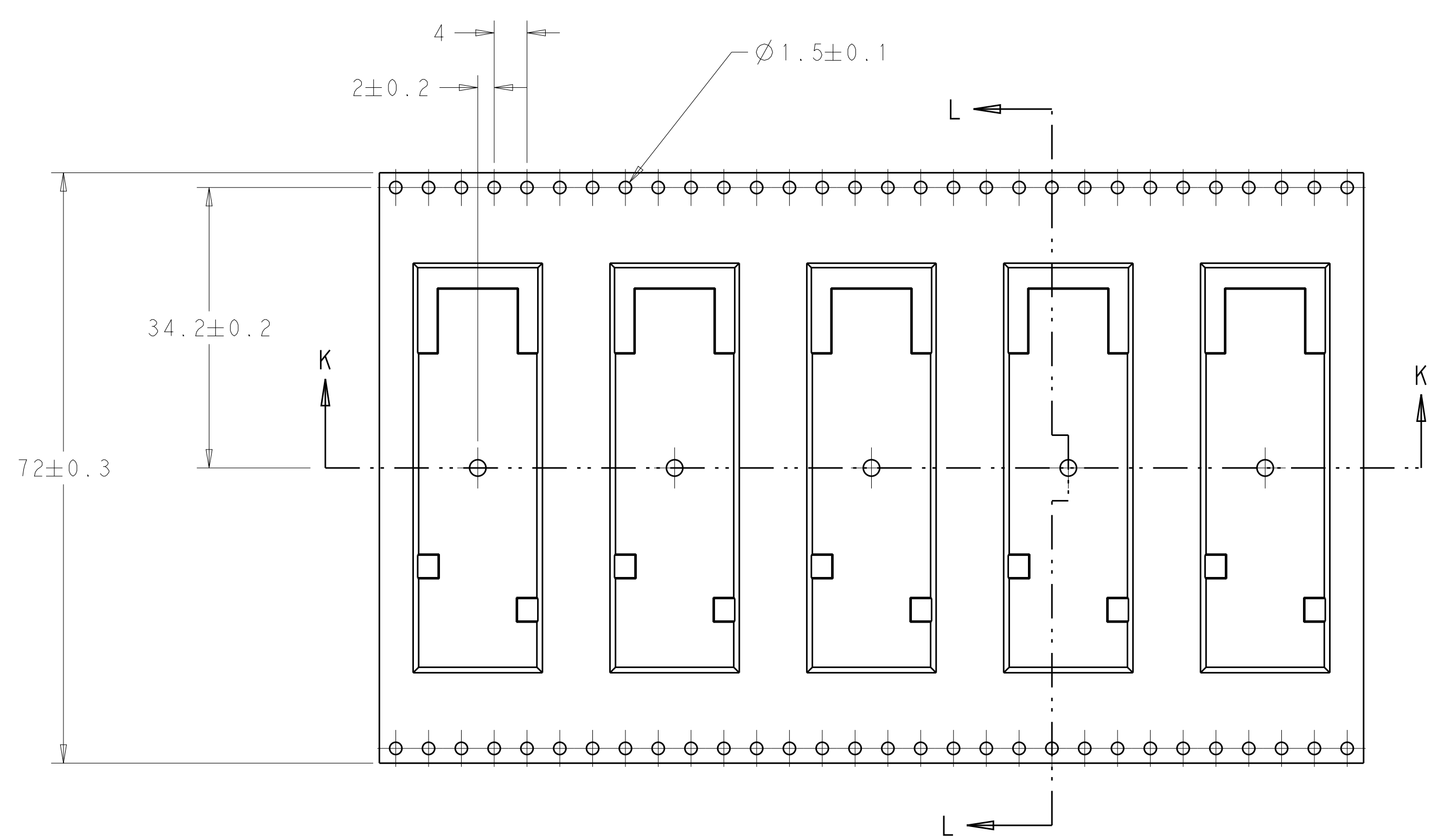
REVISIONS			
NO.	DESCRIPTION	DATE	BY
1	SEE SHEET 1		



RECOMMENDED PCB LAYOUT SCALE 8:1

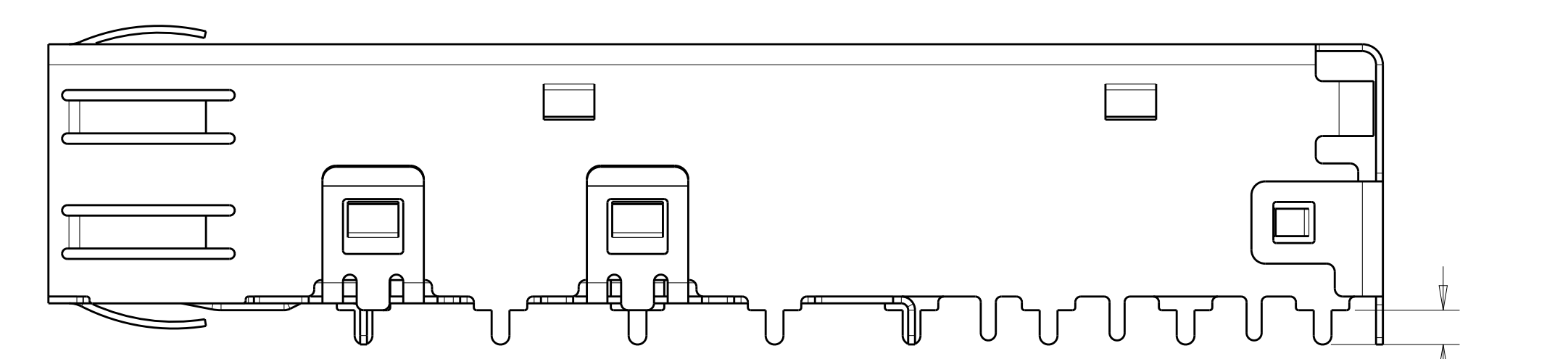
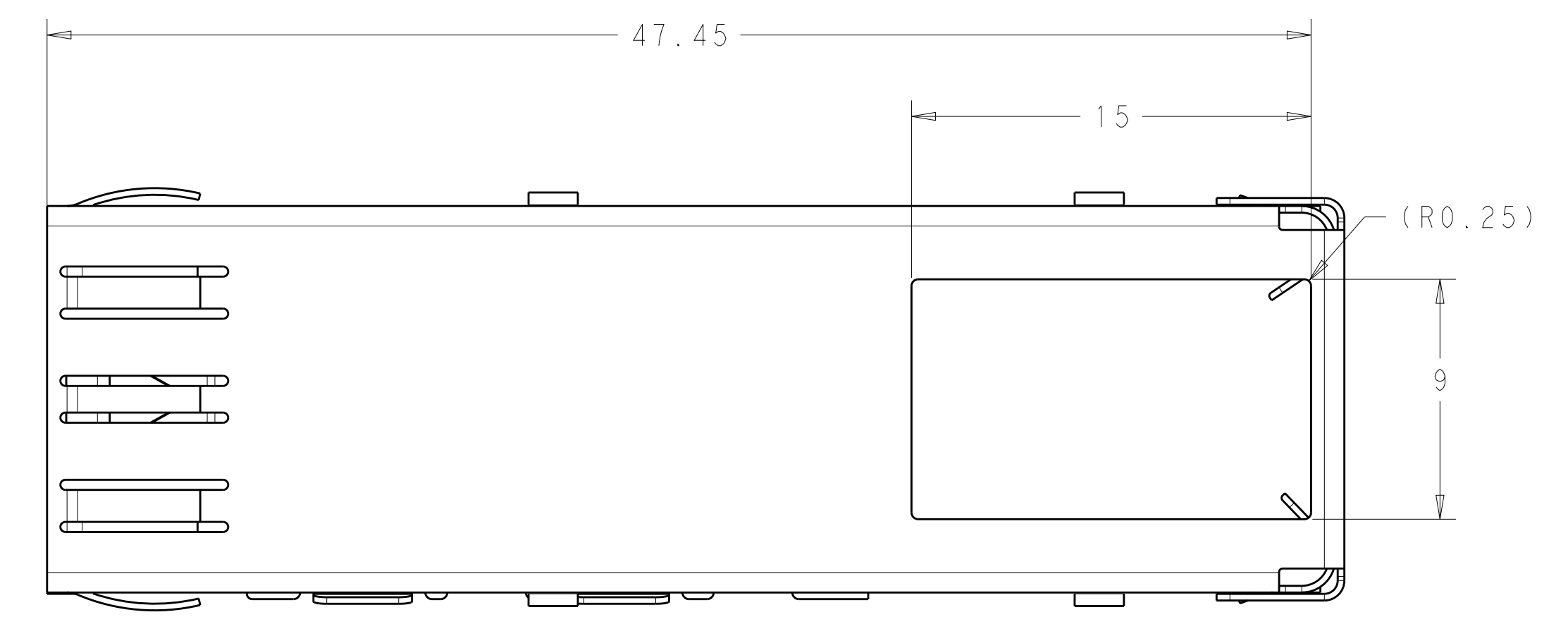
THIS DRAWING IS A CONTROLLED DOCUMENT. DIMENSIONING AND TOLERANCING PER ASME Y14.5M-2009		DWN: C. VALENTINE 19OCT2012 CHK: M. SCHMITT 19OCT2012 APVD: M. SCHMITT 19OCT2012	TE Connectivity
DIMENSIONS: mm		PRODUCT SPEC: 108-1950 APPLICATION SPEC: 114-13120	
MATERIAL: -		WEIGHT: - FINISH: -	RESTRICTED TO: - SCALE: 6:1 SHEET: 2 OF 3 REV: C1

LOC		DIST		REVISIONS			
P	LTN	DESCRIPTION	DATE	DWN	APVD		
-	-	SEE SHEET 1	-	-	-		

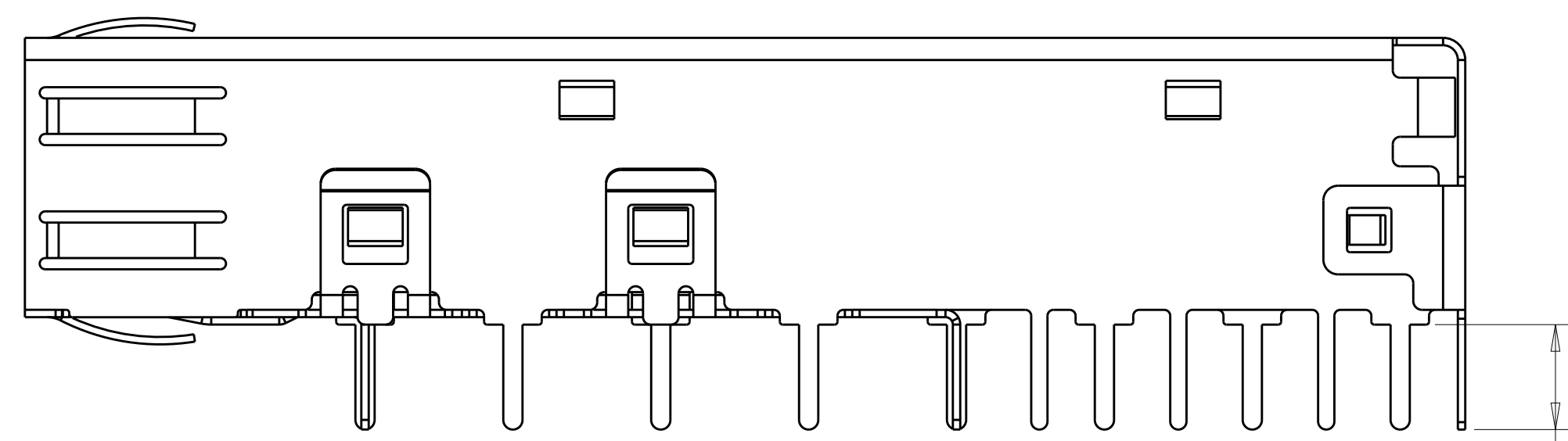
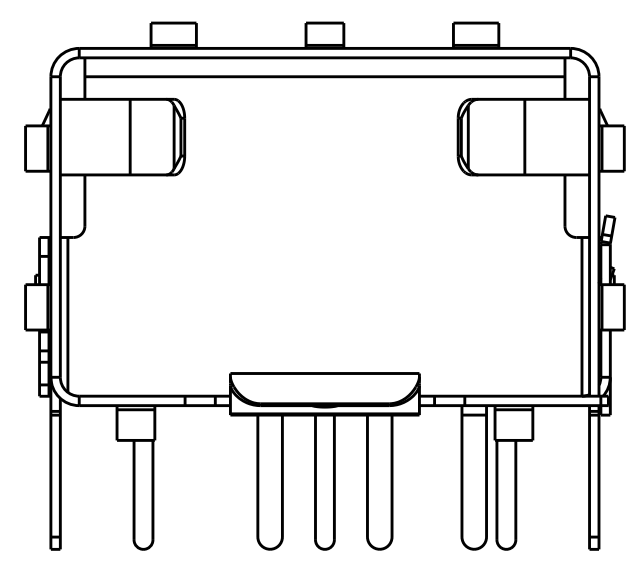


SECTION K-K  
SCALE 2:1

2227303-2 / 1-222303-2 REEL PACKAGING



2-2227303-2 AS SHOWN  
UNMARKED DIMENSIONS SAME AS 2227303-1  
SCALE 5:1



2227303-7  
UNMARKED DIMENSIONS SAME AS 2227303-1  
SCALE 5:1

(A)  
APPLIED ALL PINS

THIS DRAWING IS A CONTROLLED DOCUMENT. DIMENSIONING AND TOLERANCING PER ASME Y14.5M 2009		DWN C. VALENTINE 19OCT2012	TE Connectivity
DIMENSIONS: mm		CHK M. SCHMITT 19OCT2012	
TOLERANCES UNLESS OTHERWISE SPECIFIED:		APVD M. SCHMITT 19OCT2012	NAME SFP, 1X1 SINGLE PIECE CAGE, SOLDER PIN
0 PLC	$\pm 0.1$	PRODUCT SPEC	SIZE 108-1950
1 PLC	$\pm 0.1$	APPLICATION SPEC	RESTRICTED TO
2 PLC	$\pm 0.1$	114-13120	A100779C=2227303
3 PLC	$\pm 0.1$	WEIGHT	SCALE 6:1 SHEET 3 OF 3 REV C1
4 PLC	$\pm$	Customer Drawing	
ANGLES	$\pm$		
FINISH			