

## Data sheet

Commercial Art.No.: 92.030.3153.1

Distributor GST18i3VK2P1TBV SW

GST18i3 Distributor, with fastening option to 07.413.6853.1/0, cascadable, number of poles 3, rated voltage 250 V, rated current 20 A, number of inputs 1, number of outputs 2, color of coding/ contact carrier black



Commercial Art.No.	92.030.3153.1
EAN	4049088321580
Order Unit	1

Certificates / Approvals



## Technical data

### General

Rated current	20 A
Rated voltage	250 V
Rated impulse voltage	4 kV
Pollution degree	2
Mechanical coding	Code 1
Lockable	self-locking (unlocking by tool)
Color of coding/ contact carrier	black
Marking of poles	L, N, PE

### Model

Number of inputs	1
Number of outputs	2
Type of fastening	yes
Degree of protection (IP)	IP40
Type of distributor	T-distributor

### Material

Housing material	Polyamide
Halogen free	yes
Contact material	CuZn
Fire load	0.095 kWh
Insulation components continuous temperature	100 °C

Surface finish	Tin-plated
----------------	------------

#### Dimensions

Length	57.3 mm
Width	37 mm
Height	44.8 mm

#### Classification

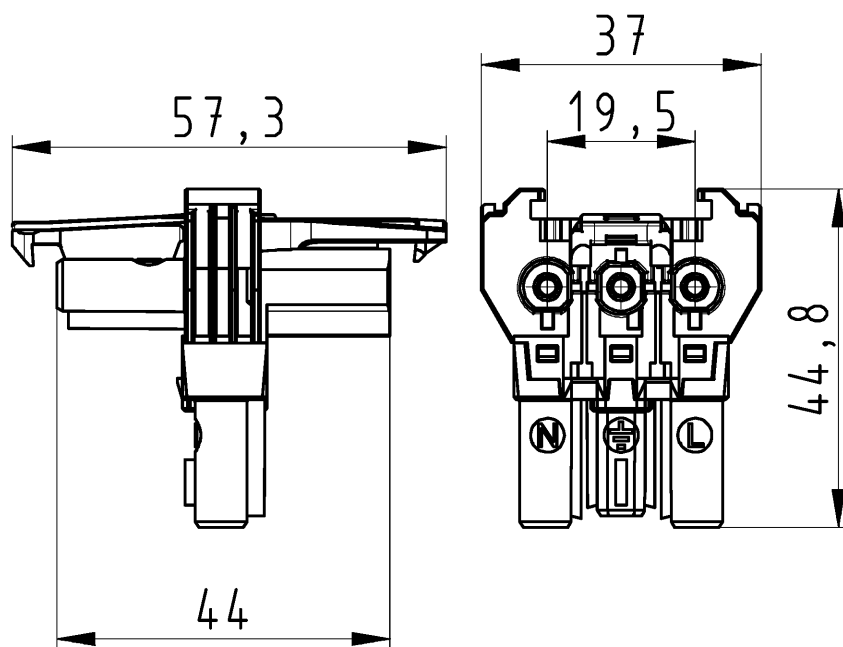
ECLASS 11	
ECLASS 8.1	27440603
ETIM 7.0	EC002567
ETIM 6.0	EC002567
ETIM 5.0	EC002567
ETIM 4.0	EC002567

#### Product compliance

ROHS conformity status	Compliant/Exempted
ROHS exceptions	III-6(c)
REACH-SVHC conformity status	Duty-To-Declare
REACH-SVHC substances	Lead
REACH-SVHC CAS numbers	7439-92-1

#### Accessories

Commercial Art.No.:	Article-type description:	Description:
07.413.6853.1	Supporting plate GST18 VERTEILER SW	gesis®-Mounting plate for GST18-distributors. For fastening to load-bearing, straight surfaces; fixing on cable trays with moulded expanding rivets; lying distributor mounting; color black
05.588.5753.0	Lock GST18 VERTEILER WS	Locking device for distributor GST18i3-5, retrofit part, white
05.588.5753.1	Locking slide GST18 VERTEILER SW	Locking device for distributor GST18i3-5, retrofit part, black
05.561.3653.0	cover cap GST18i3VS B WS	Cover piece for female GST18i3, white
05.561.3653.1	cover cap GST18i3VS B SW	Cover piece for female GST18i3, black
05.564.5353.0	cover cap GST18i3/4/5 SW	Cover piece 12 pole black for female parts GST18i3-6
05.564.5353.2	cover cap GST18i3/4/5 WS	Cover piece 12 pole white for female parts GST18i3-6
05.594.4250.0	cover cap ST18/3B + GST18i3 ST WS	
05.594.4253.0	cover cap ST18/3B + GST18i3 ST WS	



Weitergabe sowie Vervielfältigung dieses Dokuments, Verwertung und Mitteilung seines Inhalts sind verboten, soweit nicht ausdrücklich gestattet. The reproduction, distribution and utilization of this document as well as the communication of its contents to others without express authorization is prohibited.

VERTEILER

92.030.3153.0/1 10W

18.12.15 RIK

M 1:1