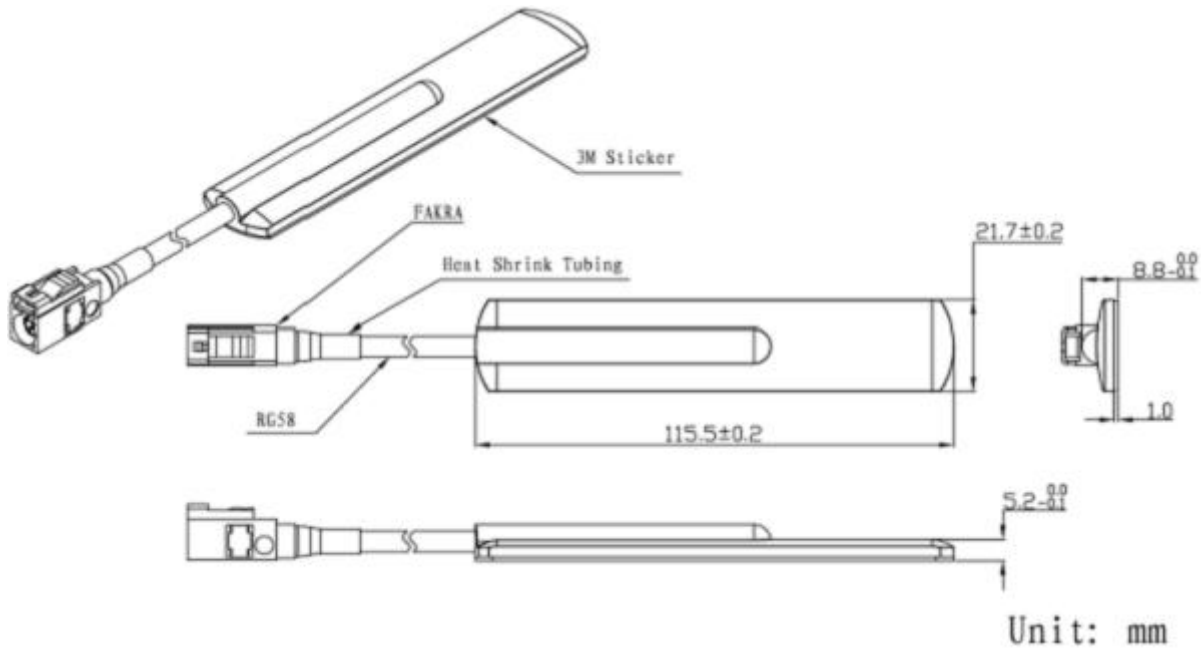


Details



SPECIFICATIONS

Item	Specifications	
Antenna	Frequency Range	824~960/1710~2170/2400~2500MHz
	Polarization	Linear
	Gain	2dBi
	V.S.W.R	<2.0
	Impedance	50Ω
	PCB Dimension	104.6*15*1mm
Mechanical	Cable	RG58
	Connector	FAKRA/SMA or others
	Radome Material	ABS
	Mounting Method	Adhesive
Environmental	Operating Temperature	-40°C~+85°C
	Relative Humidity	Up to 95%
	Vibration	10 to 55Hz with 1.5mm amplitude 2hours
	Environmentally Friendly	ROHS Compliant