

Data sheet

Commercial Art.No.: 46.432.5004.1

Cable assembly RST16i3KS-S 15P 50SW

RST16i3 connection cable, male - free end, 3 pole, assembled with screw connection, application 250V with PE, 16A, cable type H05VV-F, length 5.0m, cross section 1.5mm², coding color black



Commercial Art.No.	46.432.5004.1
EAN	4049088302039
Order Unit	1

Certificates / Approvals



Technical data

General

Rated current	16 A
Rated voltage	250 V
Rated impulse voltage	4 kV
Pollution degree	3
Lockable	self-locking (unlocking by hand)
Color of coding/ contact carrier	black
Marking of poles	L, N, PE
Color of housing inclusive strain relief	black

Model

type of construction	Cable screw gland
Connection type	screw connection
Nominal cross section conductor	1.5 mm ²
Degree of protection (IP)	IP66/68 (3m;2h) /IP69
Wire strip length	9 mm
sheath strip length	35 mm
Preparation of conductor ends	ultrasonically compressed wire ends
Cable type	H05VV-F
Cable color	black
Cable diameter min.	7.85 mm
Cable diameter max.	8.15 mm
Version of cable	male - free end
Type of cord set	connection cable

Version cable end 1	free end
Version cable end 2	male
Shielded	No

Material

Surface finish	Silver-plated
halogen free	No
Insulation components continuous temperature	100 °C
Fire load	2.021 kWh
Fire class	Eca

Dimensions

Total length	5 m
--------------	-----

Classification

ECLASS 11	
ECLASS 8.1	27440604
ETIM 7.0	EC002587
ETIM 6.0	EC002587
ETIM 5.0	EC002587
ETIM 4.0	EC002587

Note

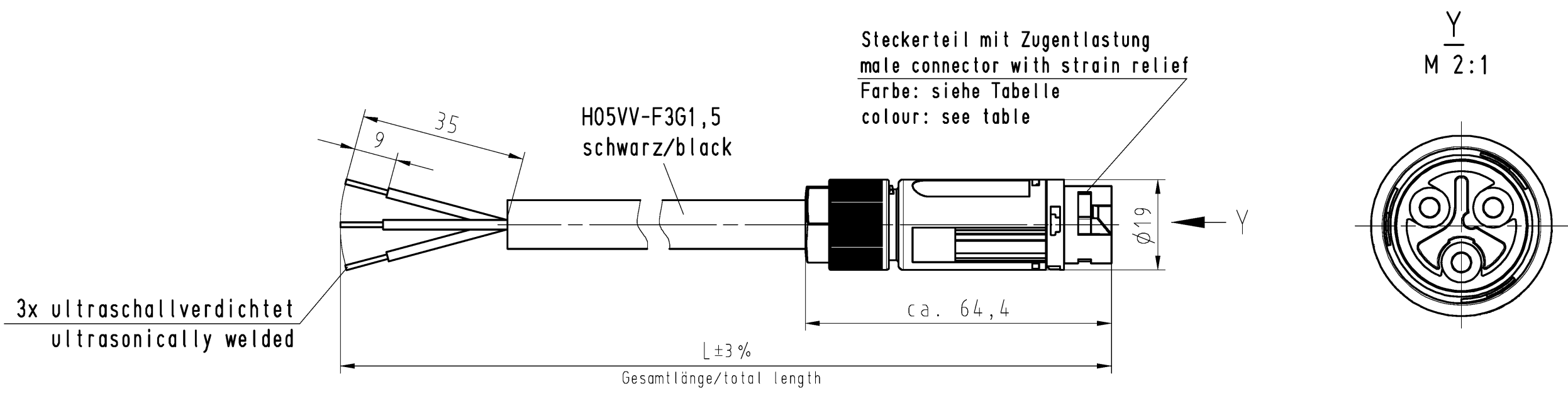
Note	The total length may vary up to + / - 3 %.
------	--

Product compliance

ROHS conformity status	Compliant/Exempted
ROHS exceptions	III-6(c)
REACH-SVHC conformity status	Duty-To-Declare
REACH-SVHC substances	Lead
REACH-SVHC CAS numbers	7439-92-1

These dimensions will be especially checked at delivery
 Only inspection dimensions
 With /E marked dimensions are only valid for internal use

Diese Maße werden bei Abnahme besonders geprüft
 Ausschließlich Prüfmaße
 Mit /E gekennzeichnete Maße sind nur für interne Zwecke gültig



Farbe/color	.F
schwarz/black	.1
lichtgrau/light grey	.0

Teile-Nr. part-no.	L	Beispiel (Farbe: schwarz, lichtgrau) example (colour: black, grey)	Typ type
46.432.XX04.1	XX in dm-Schritten	46.432.1004.1 = 10dm/L= 1000mm	RST1613KS-S 15P 10SW
46.432.XX04.0		46.432.1004.0	RST1613KS-S 15P 10GL

Weitere Daten siehe KATALOG oder eKatalog.
 Additional data see CATALOG or eCatalog.

www.wieland-electric.com
 eshop.wieland-electric.com

Tolerierung Size ISO 14405(EN)/Tolerance system Size ISO 14405(EN).
 (This ISO-standard describes the envelope principle. According to the envelope principle the deviations of form and parallelism are limited by the size tolerances).

ja/yes Stoffverbots- und Deklarationsliste nach WN 5020.010 ist einzuhalten.
 Conformity with Wieland document WN 5020.010 e (list of prohibited /
 declarable hazardous substances) to be declared!

Freitoleranz nach General tolerance		CAD - Zeichnung, keine manuellen Änderungen CAD - drawing, no manual modifications allowed		1. Verwendung: First Use:		Blatt: 1 von 1 Sheet: of 1	
/		Werkstoff/Material		2015 Tag/Date Name		Zeichnung Nr./Drawing No. Index	
/		Maßstab/Scale		gezeichnet drawn 04.03. Dütsch T.		T 46.432.1004.0 01K	
/		1:1		geprüft checked - -		Maße in mm/Dimensions are in mm	
/		Vol. mm³ Of l./Surf. mm²		Normgepr. Stand. check - -		Ersatz für/Replacement for: -	
/		wieland www.wieland-electric.com		Type		Benennung/Title PRE-ASSEMBLED CABLE KONFEKT_LEITUNG	
Index Datum / Blatt Date / Sheet		s. Tabelle see table		Schraubanschluss ohne Drahtschutz screw connection without wire protection			
Änderung/Revision							

Kodierung/coding C1
 250V/16A

Weitergabe sowie Vervielfältigung dieses Dokuments, Verwertung und Mitteilung seines Inhalts sind verboten, soweit nicht ausdrücklich gestattet.
 The reproduction, distribution and utilization of this document as well as the communication of its contents to others without express authorization is prohibited.