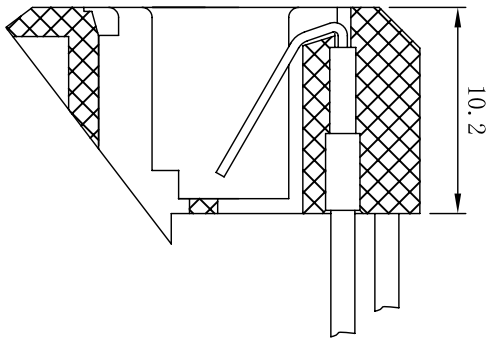
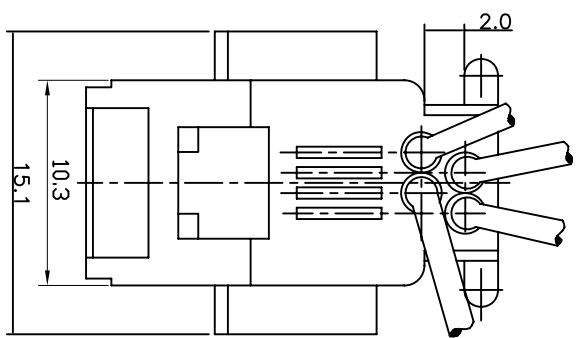
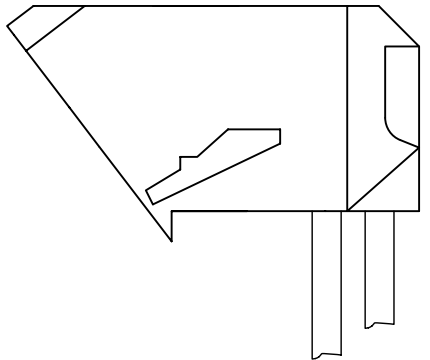
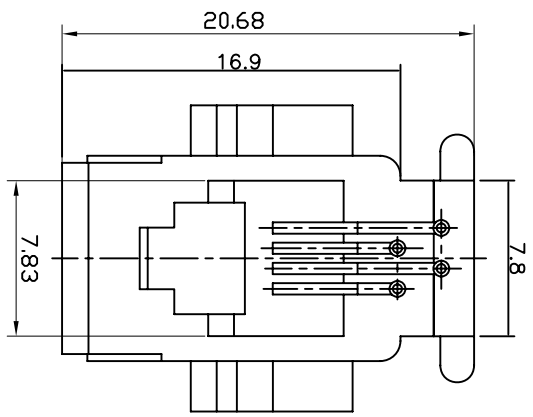


REV.	ECN NO.	DATE



SPECIFICATION NOTES:

ELECTRICAL:

1. VOLTAGE RATING: 125 VAC RMS
2. CURRENT RATING: 1.5 AMP
3. CONTACT RESISTANCE: 30mΩ MAX.
4. INSULATION RESISTANCE: 1000MΩ MIN. AT 500V DC.
5. DIELECTRIC STRENGTH: 1000 V AC OR 1500V DC RMS AT 0.5mA 50 Hz / 60 Hz FOR 1 MINUTE

MECHANICAL:

1. HOUSING: ABS
 2. CONTACT MATERIAL: DIA. PHOSPHOR BRONZE $\phi=0.46\text{MM}$
 3. PLATING: GOLD PLATING AT CONTACT AREA, NICKEL 30U MIN. OVER ALL
 4. OPERATING LIFE: 750 CYCLES MIN.
 5. MATING/UNMATING FORCE: 30N/3.06KG MAX.
 6. RETENTION STRENGTH: 50N MIN. FOR 60S±5S
- ENVIRONMENTAL:
1. STORAGE: 0°C TO +70°C RELATIVE HUMIDITY < 80%
 2. GUARANTEE PERIOD: 6 MONTHS
 3. OPERATION: 0°C TO +70°C

Rohs Compliant



温州意华接插件股份有限公司
WENZHOU YIHUA CONNECTOR CO., LTD

THIRD ANGLE PROJECTION	A4	SCALE	UNIT	CUSTOMER:
	SIZE	1:1	mm	MODEL NO:

TOLERANCES	0~15	±0.15
	15~30	±0.20
	30~50	±0.25
	50~	±0.30
ANGLES:	±1°	

MATERIAL:	
FINISH:	
SHEET	1 OF 1

Designed:	
Checked:	
Approved:	

NAME:	616W
DWG NO:	
PART NO:	
REV.	