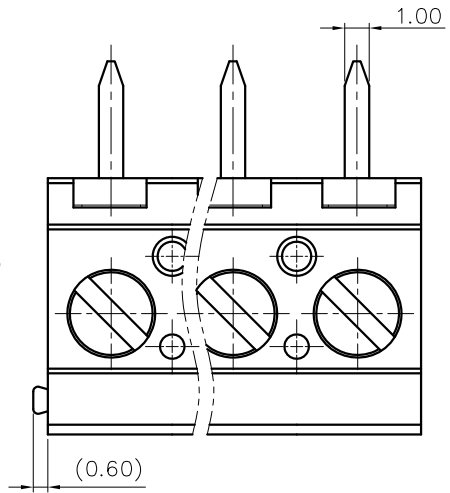
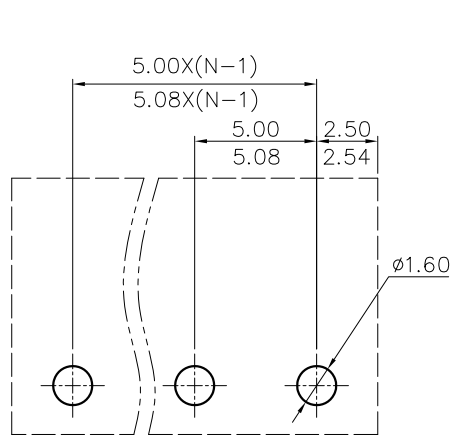
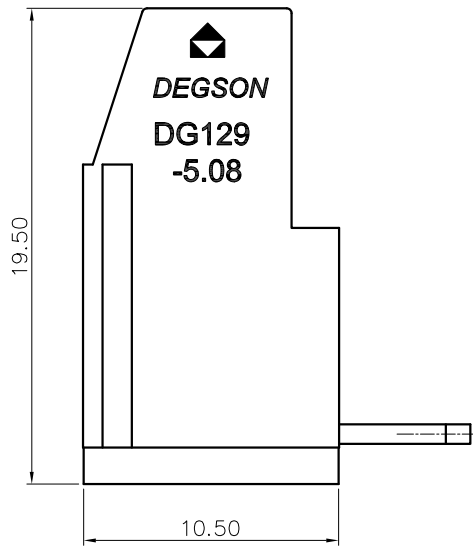
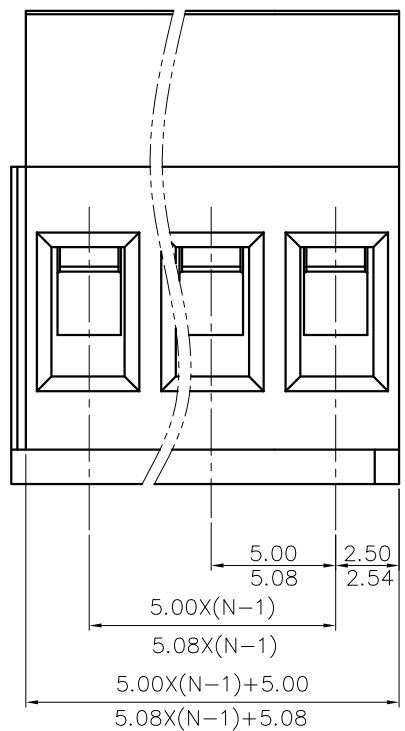
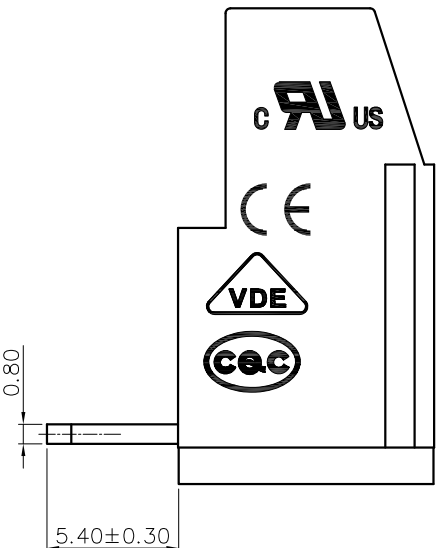


REVISION RECORD				
REV	ECN	DESCRIPTION	DRFT	DATE



DG129R - 5.0/5.08 - XXP - 1Y - 00A (H)  
 (Series No.) (Pitch) (Poles) (Single Pitch) (RoHS)  
 00A-(Standard)  
 (Color): 1.(Grey) 2.(Blue) 3.(Black) 4.(Green) 5.(Orange)  
 6.(Red) 7.(Transparent) 8.(Yellow) 9.(White)

- NOTES1:
- UL Standard
  - 1.Rated voltage/current : 300V / 20A
  - 2.Torque value : M3 , 4.43Lb.in
  - 3.Wire range : 26~12AWG
- IEC Standard
- 1.Rated voltage/current : 250V / 20A
  - 2.Torque value : M3 , 0.5N·m
  - 3.Wire range : 0.5~2.5mm<sup>2</sup>



- NOTES2:
- Dimension shall be interpreted per ASME Y14.5-2009
  - Pitch : 5.0/5.08mm, Poles : N=02~24P
  - Stripping length : 6~7mm
  - Withstanding voltage : AC2000V/1Min.
  - Operating temperature: -40°C~+105°C
  - Undimensioned tolerances:

Pitch range in mm		Nominal dimension range in mm						-	∩	∠
TO 6	Over 6 TO 10	Over 10 TO 24	Over 30 TO 60	Over 60 TO 100	Over 100 TO 150	Over 150	0.1/10			
±0.15	±0.20	±0.30	±0.30	±0.50	±0.70	±1.00	±1.30	±2'		

7.RoHS Compliance

DETACHED LISTS	PART NO.:	/			
	APPD:	/			
	CHKD:	/			
	DRFT:	/			
	<p>THIRD ANGLE PROJECTION</p>		<p>MM (INCH)</p>		DO NOT SCALE DRAWING
NAME:		NINGBO DEGSON ELECTRICAL CO., LTD		REV	DO
TITLE:		CUSTOMER DRAWING		SHEET	1/1
DRAWING NO.:		/		SCALE	1:1