

## Data sheet

Commercial Art.No.: 00.709.0504.1

Flat cable EVA 7G4 SCHWARZ

Flat cable 7 x 4 mm<sup>2</sup> EVA, finely stranded, strands numerically coded; outside dimension approx. 35 x 6 mm, weight approx. 440 g/m, 450/750V to VDE, halogen- and silicon-free, resistant to oils and acids; low combustion; coat black



Commercial Art.No.	00.709.0504.1
EAN	4015573683761
Order Unit	1

## Technical data

### General

Core insulation	PE
Core identification	Numbers
Flame retardant	according to DIN 60332-1-2
Low smoke (acc. EN 61034-2)	yes
Color outer sheath	black
Material outer sheath	Rubber (EVA)
Conductor category	Class 5 = flexible
Halogen free (according to EN 50267-2-3)	yes
Yellow/green conductor	yes
Bending radius, static	18 mm
Screen	No
Number of cores	7
Cable width approx.	35 mm
Cable height approx.	6 mm
Oil resistant (acc. EN 60811-2-1)	yes
Cable weight per km	440 kg
Min. installation temperature	-5 °C
Max. installation temperature	50 °C
Min. surface temperature fixed conductor	-40 °C
Max. surface temperature fixed conductor	90 °C

### Technical data

Nominal cross section conductor	4 mm <sup>2</sup>
Nominal voltage U <sub>N</sub>	750 V
Nominal voltage U <sub>0</sub>	450 V

Cold storage EN 60068-2-1	96h, -40°C
Humid storage EN 60068-2-78	96h, 55°C, 95% r.H.

#### Classification

ECLASS 11	
ECLASS 8.1	27062002
ETIM 7.0	EC003250
ETIM 6.0	EC000825
ETIM 5.0	EC000825
ETIM 4.0	EC000825

#### Product compliance

ROHS conformity status	Compliant
REACH-SVHC conformity status	Compliant

#### Accessories

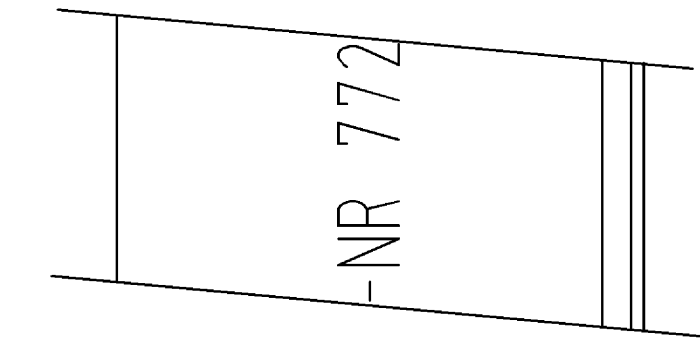
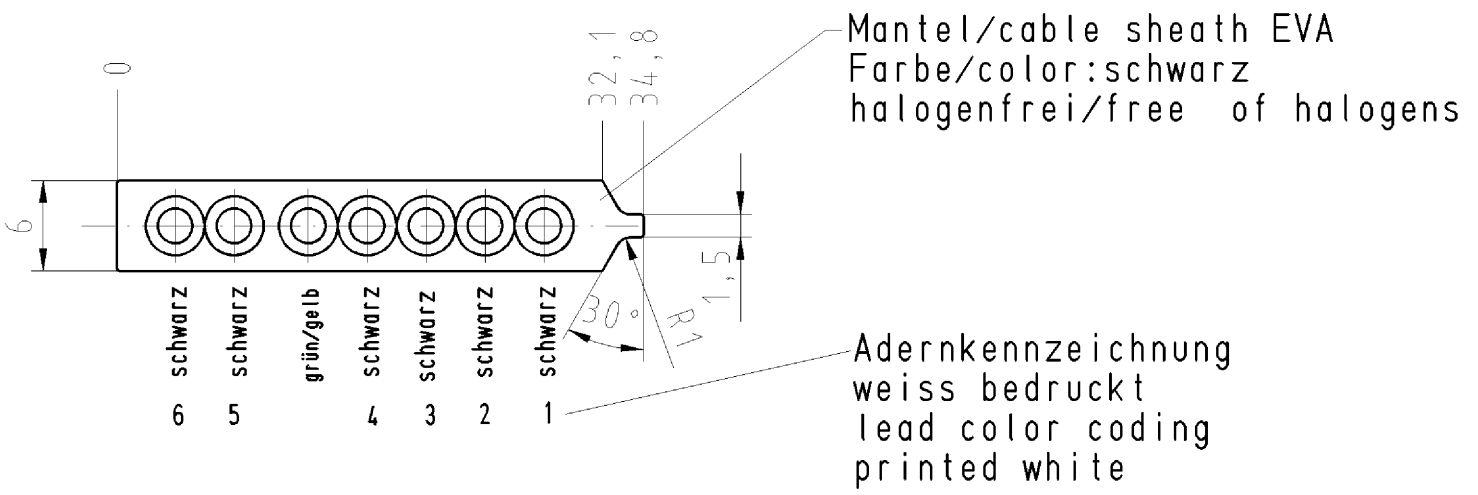
Commercial Art.No.:	Article-type description:	Description:
Z5.562.7553.1	Cable end cap podis 7G4	Cable end cap for podis tray cable 7x2.5 mm <sup>2</sup> and 7x4 mm <sup>2</sup> ; protection IP65; black/transparent
05.562.3000.0	Cable clip Befestigungsschelle	Cable clip for flat cable

#### Fits with

Commercial Art.No.:	Article-type description:	Description:
75.010.0053.1	Distributor module FCS 4 7 SA SA SW	Distributor module FCS 4 7 SA SA; 7-pole 32 A; 7x32 A (VDE) or 7x30 A (UL/CSA); 500 V 6kV/3 (VDE) or 600 V (UL/CSA) with double terminals, 5 knock outs, 3 x podis flat cable, 2 x round cables M20/M25; black
75.015.5153.1	Flat cable outlet FCS 4 7 SI BU SW	Flat cable outlet, pluggable FCS 4 7 SI BU; 7-pole; 20 A; 277/480V 4kV/3 (VDE); 600V (UL, CSA); socket with plastic locking lever; Protection type IP65plugged or with protective cover 07.409.7256.0; black
75.015.5535.0	Add-on housing FCS 4 7 SA BU SU	Surface-mounting housing podisCON 7-pole 20A; socket insert for podisCON plug; connecion round cable 4 mm <sup>2</sup> via screw terminal; degree of protection: IP65; with locking bracket; color: silver gray RAL 7001
75.018.0051.2	Connecting module FCS 4 7 SI FK	Connection module FCS 4 7 SI FK; 7-pole, 20 A; 277/480 V 4 kV/3 (VDE); protection type IP65; insulating piercing contact 1 x 4 sq.mm, finely stranded/single stranded via spring terminals; 4 knock outs (2 x M20, 2 x M25); black
99.800.4866.1	Flat cable outlet FCS 4 7 SI BU SW FM	Flat cable outlet, pluggable FCS 4 7 SI BU FM; with fix mounting plate for Obo-Bettermann wire tray; 7-pole, 20 A; 277/480 V 4 kV/3(VDE); 600 V (UL, CSA); socket with plastic locking lever; Protection type IP65 plugged or with protective cover 07.409.7256.0; black
99.801.4866.1	Connecting module FCS 4 7 SI FK FM	Connection module FCS 4 7 SI FK FM; with fix mounting plate for Obo-Bettermann wire tray; 7-pole, 20 A; 277/480 V 4 kV/3 (VDE); 600 V (UL, CSA); protection type IP65; insulating piercing contact 1 x 4/6 sq.mm, finely stranded/single stranded via spring terminals; 4 knock outs (2 x M20, 2 x M25); black

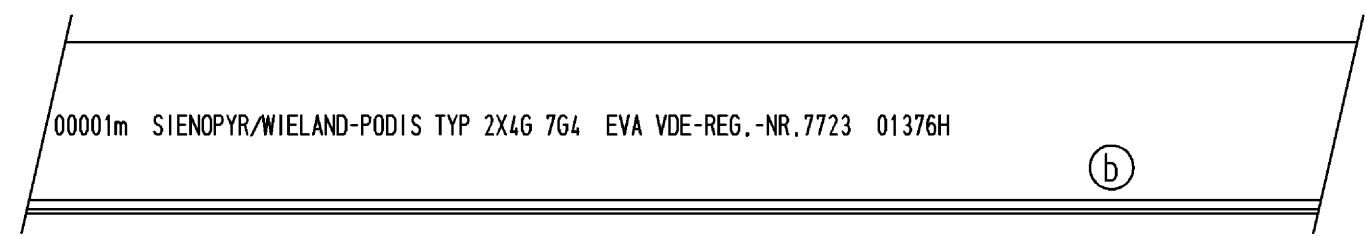
These dimensions will be especially checked at delivery  
 Only inspection dimensions  
 With /E marked dimensions are only valid for internal use

Diese Maße werden bei Abnahme besonders geprüft  
 Ausschließlich Prüfmaße  
 Mit /E gekennzeichnete Maße sind nur für interne Zwecke gültig



Metermarkierung 00000m-99999m  
 length marking every meter

SIENOPYR/WIELAND-PODIS (a)  
 TYP 2X4G 7G4 EVA  
 VDE-REG.-NR 7723 .....



Nennspannung bei 50 Hz Rated voltage	U <sub>0</sub> /U 450/750V
Strombelastbarkeit der Leiter bei Umgebungstemperatur 30°C (3 Adern belastet) lead ampacity at a ambient temperatur of 30°C with 3 loaded leads	max. 34,9 A
Zulässige Temperatur acceptable temperatur	max. 90°C
Zulässige Zugbelastung acceptable tensile loading	350 N/mm <sup>2</sup>
Mindestbiegeradius bending radius	18 mm
Ölbeständigkeit oil resistance	gemäß/according to VDE 0473 Teil 811-2-1
Korrosivität der Brandgase (Halogenfreiheit) corrosiveness of furnes (free of halogens)	gemäß/according to DIN VDE 0482 Teil/part 267-2-2
Witterungsbeständigkeit resistance to weathering	künstliche Bewitterung/simulated weathering gemäß/according to DIN 53384
Beständigkeit gegen Schweißperlen resistance to detergents spatter	gemäß/according to DIN VDE 0282-2 Abschnitt 5
Brennverhalten fire behavior	gemäß/according to DIN VDE Teil 265-2-1, entspricht/according to IEC 60332-1

frei von lackbenetzungsstörenden Substanzen  
 free from substances which inhibit adhesion (c)

Tolerierung nach DIN 7167/Tolerance system acc. to DIN 7167. (This DIN-standard describes the envelope principle. According to the envelope principle the deviations of form and parallelism are limited by the size tolerances).		ja/yes <input checked="" type="checkbox"/> Stoffverbots- und Deklarationsliste nach UU-TQM-05/03 ist einzuhalten. Conformity with Wieland document UU-TQM-05/03 (list of prohibited / declarable hazardous substances) to be declared!	
Freitoleranz nach General tolerance		CAD - Zeichnung, keine manuellen Änderungen CAD - drawing, no manual modifications allowed	1. Verwendung: First Use: -
Blatt: 1 von 1 Sheet: 1 of 1		Zeichnung Nr./Drawing No. 00.709.0504.1 01K c	
Werkstoff/Material		2006 Tag/Date	Name
Maßstab/Scale		20.07.	Kneitz
1:1		geprüft checked	-
c 20.07.2006/		Normgepr. Stand. check	-
Vol. mm <sup>3</sup> Öl./Surf. mm <sup>2</sup>		Ersatz für/Replacement for: -	
b 26.04.2006/		Type	
a 28.03.2003/		Benennung/Title	
Index Datum / Blatt Date / Sheet		FLACHLEITUNG flat cable 7x 4mm für/for podis CON	
Änderung/Revision		Elektrische Verbindungen	

Weitergabe sowie Vervielfältigung dieses Dokuments, Verwertung und Mitteilung seines Inhalts sind verboten, soweit nicht ausdrücklich gestattet.  
 The reproduction, distribution and utilization of this document as well as the communication of its contents to others without express authorization is prohibited.

007090504101K\_4\_CADW1019\_Kneitz 2006-07-20T07:55:25 1.000