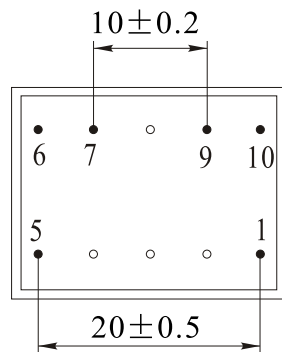
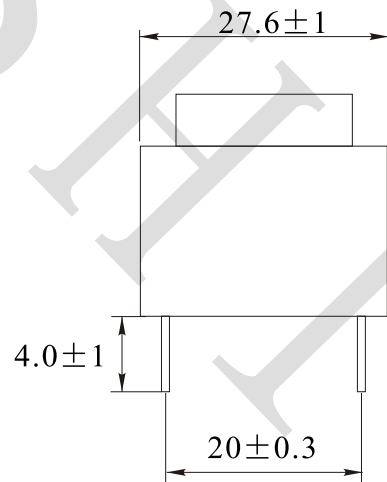
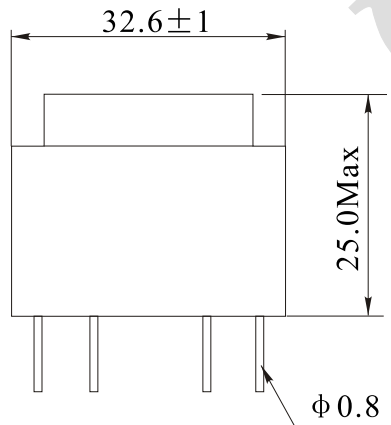
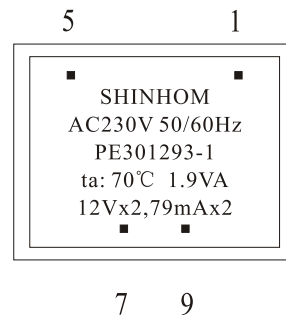


1. PHYSICAL CHARACTERISTICS (mm)



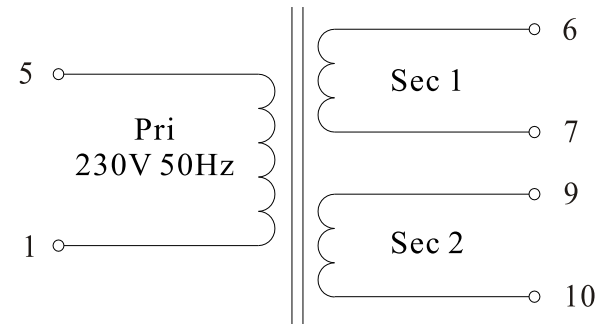
MARKING



NOTES:

Temp 20°C 48%RH
RoHS Compliant

2. ELECTRONICAL SCHEMATIC



3. ELECTRONICAL SPECIFICATIONS

Pri voltage: 230V, 50Hz
 Load voltage: Sec1: 12.5V ± 5%V @ 79mA
 Sec2: 12.5V ± 5%V @ 79mA
 No load voltage: Sec1: 19.5V ± 5%
 Sec2: 19.5V ± 5%
 Output Power: 1.9VA
 Hi-Pot: 4000V, 50Hz, 1mA, 10S Pri to Sec

Note:

- Solderability: leads shall meet MIL-STD-202, Method 208D for solderability.
- Flammability: UL94V-0
- ASTM oxygen index: >28%

| | | | |
|---------------|---------------------|------------|------------|
| NAME: | Potting transformer | | |
| CUSTOMER P/N: | BV EI 303 2037 | DATE: | 2023-01-09 |
| SHINHOM P/N: | PE301293-1 | REV: A0 | PAGE |
| DRAWN BY | CHECKED BY | APPROVE BY | |



SHINHOM
SHAANXISHINHOM ENTERPRISE CO LTD

The Document property belong to SHINHOM & is not allowed to be duplicated without authorization