

Data sheet

Commercial Art.No.: 57.506.0055.0

Feed-through terminal WK 6 / U /V0

Feed-through DIN rail terminal block with screw connection for mounting on TS 35 and TS 32, nominal cross section 6 mm², width 8 mm, color gray



Commercial Art.No.	57.506.0055.0
EAN	4015573458369
Order Unit	100

Certificates / Approvals



CAN-Ex



ATEX



USA-Ex

Technical data

General

Nominal cross section	6 mm ²
Color	Grey
Number of levels	1
Number of clamp positions per level	2
Width/grid dimension	8 mm
Insulating housing	PA666
Inflammability class of insulation material acc. with UL94	V0
Explosion-tested version "Ex e"	yes
Mounting method	DIN rail (top hat rail)/G-rail
Terminal blocks for electrical installations	yes

Technical data

Rated current	41 A
Rated voltage	1000 V
Rated impulse voltage	8 kV
Pollution degree	3
Closing plate required	yes
Type of insulation material	Thermoplastic
Length	48 mm

Connection Data

Connection type 1	screw connection
-------------------	------------------

Connection type 2	screw connection
Minimum cross section solid	0.5 mm ²
Maximum cross section solid	10 mm ²
Minimum cross section fine stranded	0.5 mm ²
Maximum cross section fine stranded	6 mm ²
Wire strip length	11 mm
Torque conductor mounting	1.2 Nm

Technical Data UL/CSA

Cross section UL	22-8 AWG
Voltage UL	600 V
Current factory wiring	50 A
Current field wiring	50 A
Cross section CSA	20-8 AWG
Voltage CSA	600 V
Current CSA	45 A

Classification

ECLASS 11	
ECLASS 8.1	27141120
ETIM 7.0	EC000897
ETIM 6.0	EC000897
ETIM 5.0	EC000897
ETIM 4.0	EC000897

Product compliance

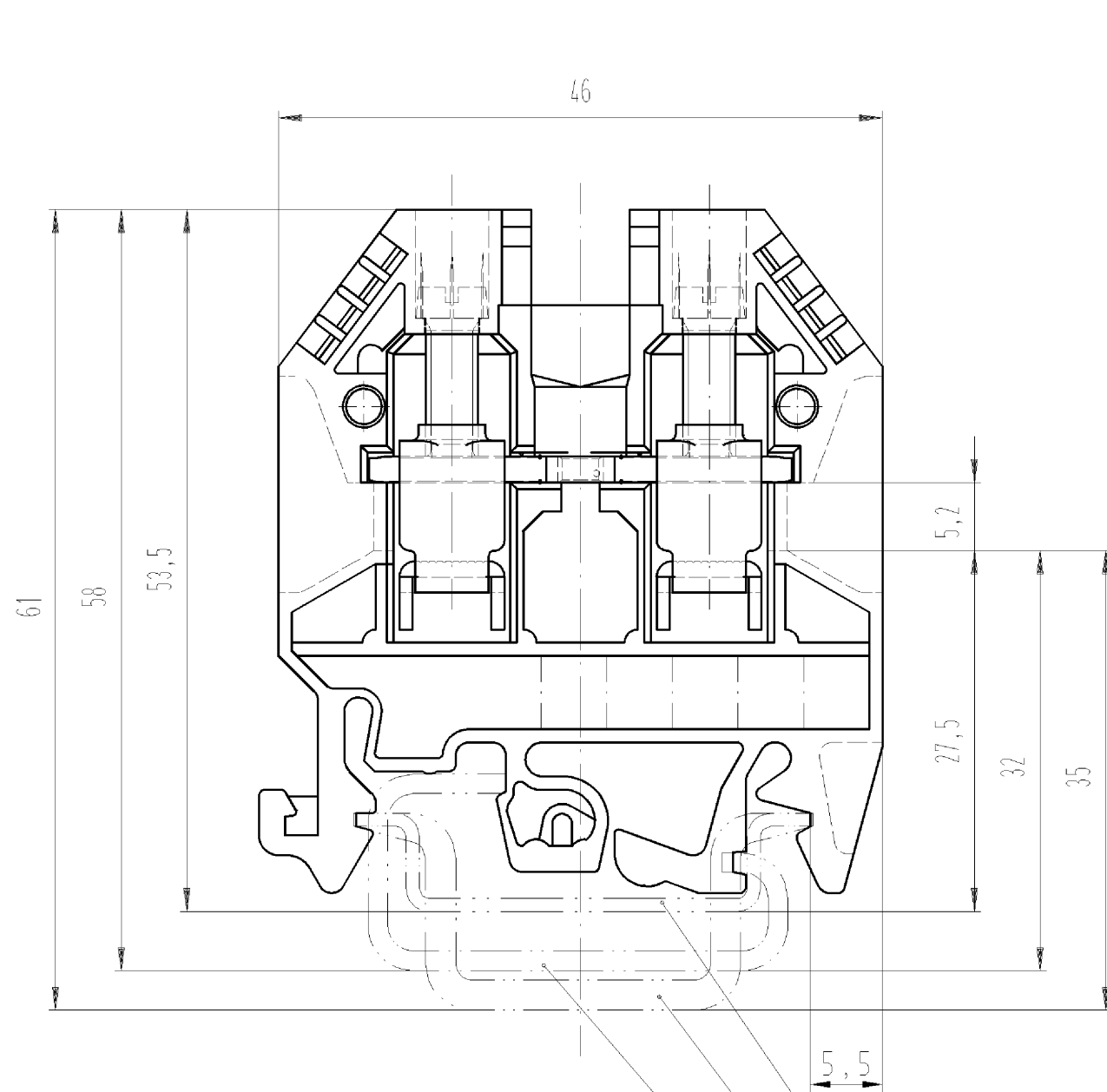
REACH-SVHC conformity status	Compliant
------------------------------	-----------

Accessories

Commercial Art.No.:	Article-type description:	Description:
Z7.282.0227.0	Jumper bar VB WK 6 - 2	Cross connector for DIN rail terminal blocks type WK 6, 2 -pole
Z7.282.0327.0	Jumper bar VB WK 6 - 3	Cross connector for DIN rail terminal blocks type WK 6, 3 -pole
Z7.282.0427.0	Jumper bar VB WK 6 - 4	Cross connector for DIN rail terminal blocks type WK 6, 4 -pole
Z7.282.0527.0	Jumper bar VB WK 6 - 5	Cross connector for DIN rail terminal blocks type WK 6, 5 -pole
Z7.282.0627.0	Jumper bar VB WK 6 - 6	Cross connector for DIN rail terminal blocks type WK 6, 6 -pole
Z7.282.2227.0	Insulated jumper bar IVBWK 6 - 2	Cross connector, insulated for DIN rail terminal blocks type WK ..., 2 -pole
Z7.282.2327.0	Insulated jumper bar IVBWK 6 - 3	Cross connector, insulated for DIN rail terminal blocks type WK ..., 3 -pole
Z7.282.2427.0	Insulated jumper bar IVBWK 6 - 4	Cross connector, insulated for DIN rail terminal blocks type WK ..., 4 -pole
Z7.282.2527.0	Insulated jumper bar IVBWK 6 - 5	Cross connector, insulated for DIN rail terminal blocks type WK ..., 5 -pole
Z7.282.2627.0	Insulated jumper bar IVBWK 6 - 6	Cross connector, insulated for DIN rail terminal blocks type WK ..., 6 -pole
Z7.282.2727.0	Insulated jumper bar IVBWK 6 - 7	Cross connector, insulated for DIN rail terminal blocks type WK ..., 7 -pole
Z7.282.2827.0	Insulated jumper bar IVBWK 6 - 8	Cross connector, insulated for DIN rail terminal blocks type WK ..., 8 -pole

Z7.282.2927.0	Insulated jumper bar IVBWK 6 - 9	Cross connector, insulated for DIN rail terminal blocks type WK ..., 9 - pole
Z7.282.3027.0	Insulated jumper bar IVBWK 6 -10	Cross connector, insulated for DIN rail terminal blocks type WK ..., 10 - pole
Z7.282.3127.0	Insulated jumper bar IVBWK 6 -11	Cross connector, insulated for DIN rail terminal blocks type WK ..., 11 - pole
Z7.282.3227.0	Insulated jumper bar IVBWK 6 -12	Cross connector, insulated for DIN rail terminal blocks type WK ..., 12 - pole
98.190.0000.0	Mounting rail TS 32 UNPERF - l:2000mm	Mounting rail G 32, unslotted, Höhe 5,5 mm, length 2 m, material steel. galv. zinc-plated and dichromated
98.190.1000.0	Mounting rail TS 32 PERF 15mm - l:2000mm	Mounting rail G 32, slotted, Höhe 15 mm, length 2 m, material steel. galv. zinc-plated and dichromated
98.210.0000.0	Mounting rail TS 32 UNPERF AL - l:2000mm	Mounting rail G 32, unslotted, Höhe 15 mm, length 2 m, material Aluminium
98.220.0000.0	Mounting rail TS 32 UNPERF CU - l:2000mm	Mounting rail G 32, unslotted, Höhe 15 mm, length 2 m, material E copper
98.300.0000.0	Mounting rail TS 35x7,5 UNPERF - l:2000mm	Mounting rail TS 35, unslotted, size 7,5 mm, length 2 m, material steel. galv. zinc-plated and dichromated
98.300.1000.0	Mounting rail TS 35x7,5 PERF 15mm - l:2000mm	Mounting rail TS 35, slotted, size 7,5 mm, length 2 m, material steel. galv. zinc-plated and dichromated
98.300.1900.0	Mounting rail TS 35x7,5 PERF 25mm - l:2000mm	Mounting rail TS 35, slotted, size 7,5 mm, length 2 m, material steel. galv. zinc-plated and dichromated
98.360.0000.0	Mounting rail TS 35x15-2,3 UNPERF - l:2000mm	Mounting rail TS 35, unslotted, size 15 mm, length 2 m, material steel. galv. zinc-plated and dichromated
98.360.0004.0	Mounting rail TS 35x15-2,3 UNPERF FZN - l:2000mm	Mounting rail TS 35, unslotted, size 15 mm, length 2 m, material steel, hot galvanized
98.370.0000.0	Mounting rail TS 35x15 UNPERF - l:2000mm	Mounting rail TS 35, unslotted, size 15 mm, length 2 m, material steel. galv. zinc-plated and dichromated
98.370.1000.0	Mounting rail TS 35x15 PERF 15mm - l:2000mm	Mounting rail TS 35, slotted, size 15 mm, length 2 m, material steel. galv. zinc-plated and dichromated
98.380.0000.0	Mounting rail TS 35x15-2,3 UNPERF CU - l:2000mm	Mounting rail TS 35, unslotted, size 15 mm, length 2 m, material E copper
07.311.0255.0	End plate AP 6 /V0	End plate for DIN rail terminal blocks type WK 6..., color: grey
07.311.0255.6	End plate AP 6 BL/V0	End plate for DIN rail terminal blocks type WK 6..., color: blue
07.311.1255.0	Partition TW 6 /V0	Partition for DIN rail terminal blocks type WK 6..., color: grey
04.242.8053.0	Marking tag strips 9705 A / 8 / 10	Marking tag strips for DIN rail terminal blocks type 9700 A / 8..., 10 tags per strip, color: blue, unmarked, markable with Wieplot plotter-system

○ Diese Maße werden bei Abnahme besonders geprüft
 ○ Ausschließlich Prüfmaße
 ○ Mit /E gekennzeichnete Maße sind nur für interne Zwecke gültig



Hutschiene EN 60715-35x7,5
 mounting rail EN 60715-35x7,5
 Hutschiene EN 60715-35x15
 mounting rail EN 60715-35x15
 G-Schiene EN 60715-G32
 G-rail EN 60715-G32

* = spezielle Verpackung
 specific package

Weitere Daten siehe Katalog
 further data see catalog

Teile - Nr. Part-number	Farbe colour	Typ type
57.506.0055.0	grau/grey	WK 6/U/V0
57.506.0055.1	schwarz/black	WK 6/U schwarz/V0
57.506.0055.2	weiß/white	WK 6/U weiß/V0
57.506.0055.5	rot/red	WK 6/U rot/V0
57.506.0055.6	blau/blue	WK 6/U blau/V0
57.506.0055.7	grün/green	WK 6/U grün/V0
57.506.0055.8	gelb/yellow	WK 6/U gelb/V0
57.506.0055.9	orange	WK 6/U orange/V0
* 57.506.0095.0	grau/grey	WK 6/U/V0
* 57.506.0095.6	blau/blue	WK 6/U blau/V0
* 57.506.0095.9	orange	WK 6/U orange/V0

Freitoleranz nach DIN -		CAD - Zeichnung, keine manuellen Änderungen			1. Verwendung: -		Bl.: 1 von 1	
	/	Maßstab	2004	Tag	Name	Zeichnung Nr.		Index
	/	2:1	Entworfen	21.10.	Schmitt J.	T 57.506.0055.0 01K		a
	/		Geprüft	-	-	Ersatz für: -		
	/		Normgepr.	-	-			
a	27.06.2007/	wieland Elektrische Verbindungen		WK 6/U		Benennung		DURCHGANGSKLEMME
Buchstabe	Datum / Blatt							
Änderung								Modular terminal

Weitergabe sowie Vervielfältigung dieses Dokuments, Verwertung und Mitteilung seines Inhalts sind verboten, soweit nicht ausdrücklich gestattet.
 The reproduction, distribution and utilization of this document as well as the communication of its contents to others without express authorization is prohibited.

575060055001K_4_CADW1044_treschan 2007-06-27T15:15:11 1.000