

## Data sheet

Commercial Art.No.: 96.031.4553.1

Connector RST20i3S B1 ZR3 SW

RST20i3 connector, 3 pole, female, screw connection, application 250V with PE, 20A, for cable diameters 14-18mm, coding color black, color of housing black



Commercial Art.No.	96.031.4553.1
EAN	4015573895058
Order Unit	1

Certificates / Approvals



## Technical data

### General

Rated current	20 A
Rated voltage	250 V
Rated impulse voltage	4 kV
strain relief	yes
Pollution degree	3
Lockable	self-locking (unlocking by tool)
Color of coding/ contact carrier	black
Marking of poles	L, N, PE
Color of housing inclusive strain relief	black

### Connection Data

Cable diameter max.	18 mm
Cable diameter min.	13 mm
Connection cross section solid mm <sup>2</sup> max.	6 mm <sup>2</sup>
Connection cross section solid mm <sup>2</sup> min.	0.75 mm <sup>2</sup>
Connection cross section solid AWG min.	16 AWG
Connection cross section solid AWG max.	10 AWG
Connection cross section fine stranded mm <sup>2</sup> max.	6 mm <sup>2</sup>
Connection cross section fine stranded mm <sup>2</sup> min.	0.75 mm <sup>2</sup>
Terminations per pole	1
Connection cross section stranded mm <sup>2</sup> min.	0.75 mm <sup>2</sup>
Connection cross section stranded mm <sup>2</sup> max.	6 mm <sup>2</sup>
Connection cross section stranded AWG min.	16 AWG
Connection cross section stranded AWG max.	10 AWG
sheath strip length	37 mm
Wire strip length	8 mm

### Model

Model	female
Connection type	screw connection
Degree of protection (IP)	IP66/68 (3m;2h) /IP69

#### Material

Housing material	Polyamide
halogen free	yes
Contact material	CuZn
Fire load	0.367 kWh
Insulation components continuous temperature	100 °C
Surface finish	Silver-plated

#### Dimensions

Length	96 mm
Width	35.4 mm
Height	35.4 mm

#### Classification

ECLASS 11	
ECLASS 8.1	27440605
ETIM 7.0	EC002560
ETIM 6.0	EC002560
ETIM 5.0	EC002560
ETIM 4.0	EC002560

#### Note

Note	RST® terminals with screw clamping allow the connection of conductors without special preparation (without ferrules) according to EN 60999-1.
------	---

#### Product compliance

ROHS conformity status	Compliant/Exempted
ROHS exceptions	III-6(c)
REACH-SVHC conformity status	Duty-To-Declare
REACH-SVHC substances	Lead
REACH-SVHC CAS numbers	7439-92-1

#### Accessories

Commercial Art.No.:	Article-type description:	Description:
99.414.6205.2	Cover for female connector SW	RST20i3/2 cover piece, for covering unused female connectors, with fastening belt, color schwarz
Z5.564.4553.1	Cover for female connector SW	RST20i3/2 cover piece, for covering unused female connectors, color black

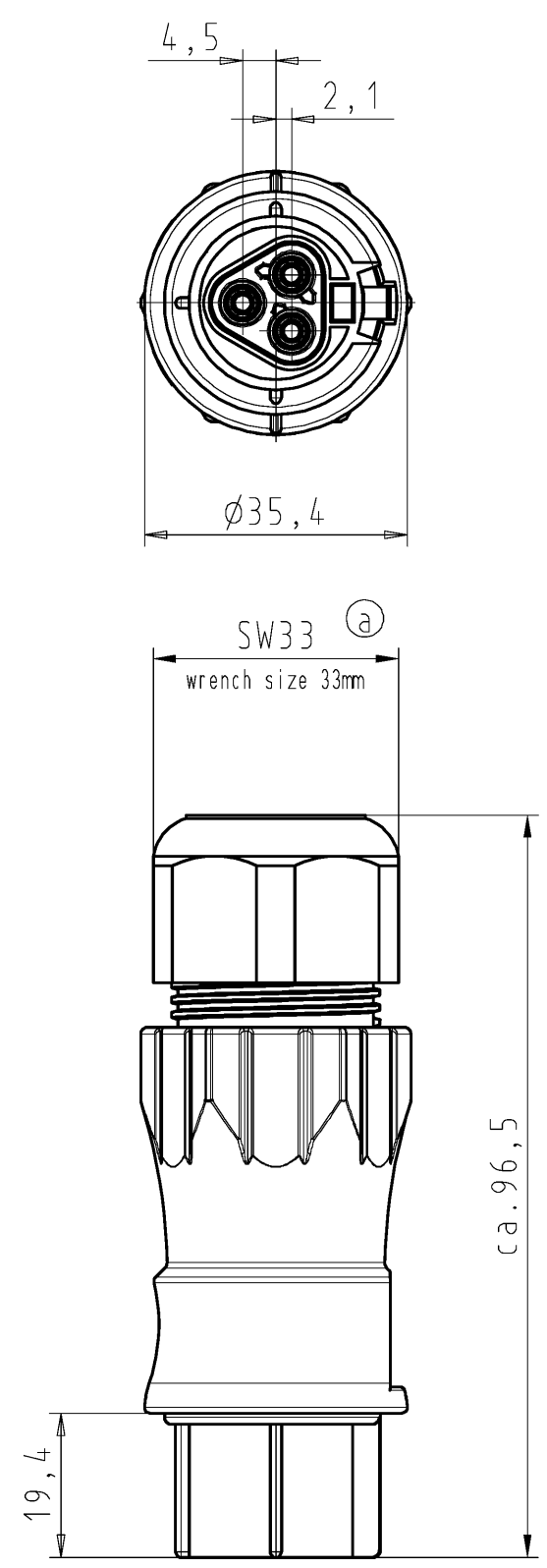
#### Fits with

Commercial Art.No.:	Article-type description:	Description:

96.030.0153.1	Distributor RST20i3V 3P1 F V SW	RST20i3 distribution block, 3 pole, application 250V with PE, 20A, 1 input and 3 outputs, with fastening option, coding color black, color of housing black
96.032.4553.1	Connector RST20i3S S1 ZR3 V SW	RST20i3 connector, 3 pole, male, screw connection, application 250V with PE, 20A, for cable diameters 14-18mm, coding color black, color of housing black
96.032.5053.1	Device connector RST20i3S S1 M01V SW	RST20i3 device connector M25, 3 pole, male, screw connection, application 250V with PE, 20A, coding color black
96.032.6153.1	Device connector RST20i3S S1 M03V SW	RST20i3 device connector M16, 3 pole, male, screw connection, modular, application 250V with PE, 20A, coding color black, color of housing black
96.032.6053.1	Device connector RST20i3S S1 M00V SW	RST20i3 device connector M20, 3 pole, male, screw connection, modular, application 250V with PE, 20A, coding color black, color of housing black
96.034.6053.1	Device connector RST20i3S S1 M90V SW	RST20i3 device connector (90° angled) M20, 3 pole, male, screw connection, modular, application 250V with PE, 20A, coding color black, color of housing black
96.036.6153.1	Device connector RST20i3S S1 M13V SW	RST20i3 device connector (7° angled) M16, 3 pole, male, screw connection, modular, application 250V with PE, 20A, coding color black, color of housing black

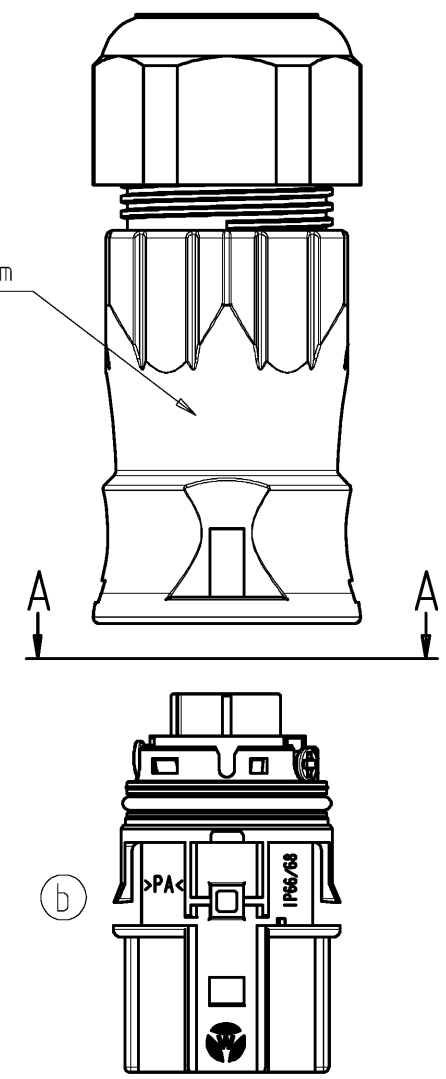
These dimensions will be especially checked at delivery  
Only inspection dimensions  
With ±E marked dimensions are only valid for internal use

Diese Maße werden bei Abnahme besonders geprüft  
Ausschließlich Prüfmaße  
Mit ±E gekennzeichnete Maße sind nur für interne Zwecke gültig



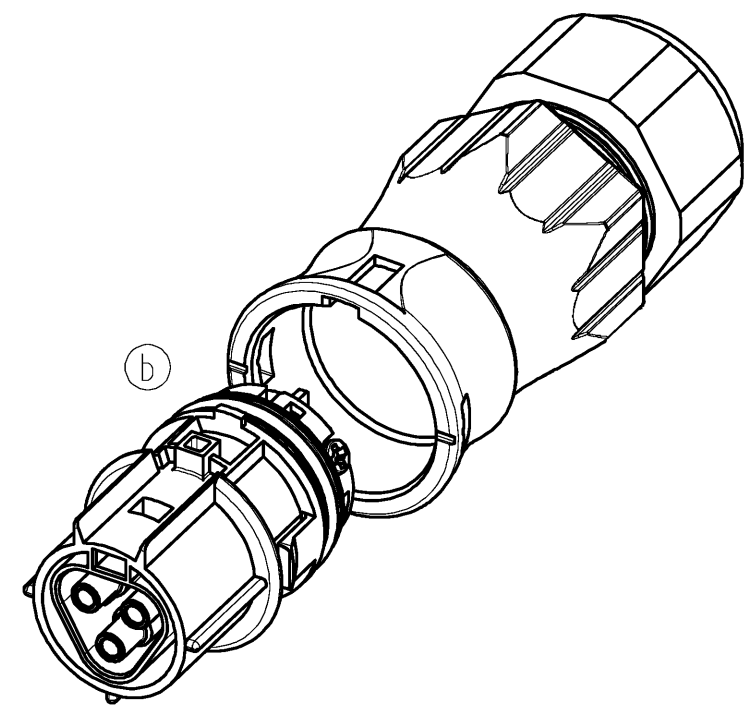
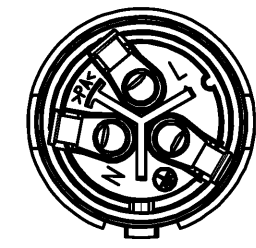
### Auslieferungszustand delivery status

for cable diameter 14-18mm  
Kabeldurchm. 14-18mm



Verpackungseinheit: je 100 Stück  
packaging unit: per 100

### A-A



Weitergabe sowie Vervielfältigung dieses Dokuments, Verwertung und Mitteilung seines Inhalts sind verboten, soweit nicht ausdrücklich gestattet. Die Reproduktion, Distribution und Nutzung dieses Dokuments sowie die Kommunikation mit anderen ohne schriftliche Genehmigung ist untersagt.

Teile-Nr./ part-nr.	Farbe:/ color:	Type
96.031.4553.1	schwarz, ähnl. RAL 9005/ black, similar to RAL 9005	RST2013S B1 ZR3 SW
96.031.4553.0	lichtgrau, ähnl. RAL 7035/ lightgrey, similar to RAL 7035	RST2013S B1 ZR3 GL

Tolerierung Size ISO 14405/Tolerance system Size ISO 14405. (This ISO-standard describes the envelope principle. According to the envelope principle the deviations of form and parallelism are limited by the size tolerances).		nein/no <input checked="" type="checkbox"/> Stoffverbots- und Deklarationsliste nach WN 5020.010 ist einzuhalten. Conformity with Wieland document WN 5020.010 e (list of prohibited / declarable hazardous substances) to be declared!	
Freitoleranz nach General tolerance	CAD - Zeichnung, keine manuellen Änderungen CAD - drawing, no manual modifications allowed	1. Verwendung: First Use:	Blatt: 1 von 1 Sheet: of 1
Zeichnung Nr./Drawing No.	Index	Maße in mm/Dimensions are in mm	
2006 gezeichnet drawn	16.02.	Name	T 96.031.4553.0 01K b
geprüft checked	-	-	
Normgepr. Stand. check	-	-	
Ersatz für/Replacement for: -		Maße in mm/Dimensions are in mm	
b 15.12.2015/ a 20.02.2006/ Index Datum / Blatt Date / Sheet	Type		Benennung/Title
www.wieland-electric.com		BUCHSENTE IL MIT ZUGENTLASTUNG	
Änderung/Revision		female connector with cord grip Schraubanschluss ohne Drahtschutz/screw-connection without wire protection	