

## Data sheet

Commercial Art.No.: 55.504.9153.0

Earth terminal WKM 4 SL / 15/V0

Ground terminal with Screw connection for mounting on TS 15 , nominal cross section: 4 mm<sup>2</sup>, width: 6 mm, color: Green-yellow



Commercial Art.No.	55.504.9153.0
EAN	4015573210424
Order Unit	100

Certificates / Approvals



CAN-Ex



ATEX



## Technical data

### General

Nominal cross section	4 mm <sup>2</sup>
Color	Green/yellow
Number of levels	1
Number of clamp positions per level	2
Width/grid dimension	6 mm
Insulating housing	PA666
Inflammability class of insulation material acc. with UL94	V0
Mounting method	DIN rail (top hat rail) 15 mm
Terminal blocks for electrical installations	yes

### Technical data

Rated impulse voltage	6 kV
Pollution degree	3
Closing plate required	yes
Type of insulation material	Thermoplastic
Length	31.6 mm

### Connection Data

Connection type 1	screw connection
Connection type 2	screw connection
Minimum cross section solid	0.5 mm <sup>2</sup>
Maximum cross section solid	6 mm <sup>2</sup>

Minimum cross section fine stranded	0.5 mm <sup>2</sup>
Maximum cross section fine stranded	4 mm <sup>2</sup>
Wire strip length	9 mm
Torque conductor mounting	0.5 Nm
Torque rail mounting	0,5

**Technical Data UL/CSA**

Cross section UL	22-14 AWG
Voltage UL	300 V
Current factory wiring	30 A
Current field wiring	30 A
Cross section CSA	22-10 AWG

**Note**

Remark to rated voltage	No declaration for CSA/VDE
Remark to rated current	No declaration for CSA/VDE

**Classification**

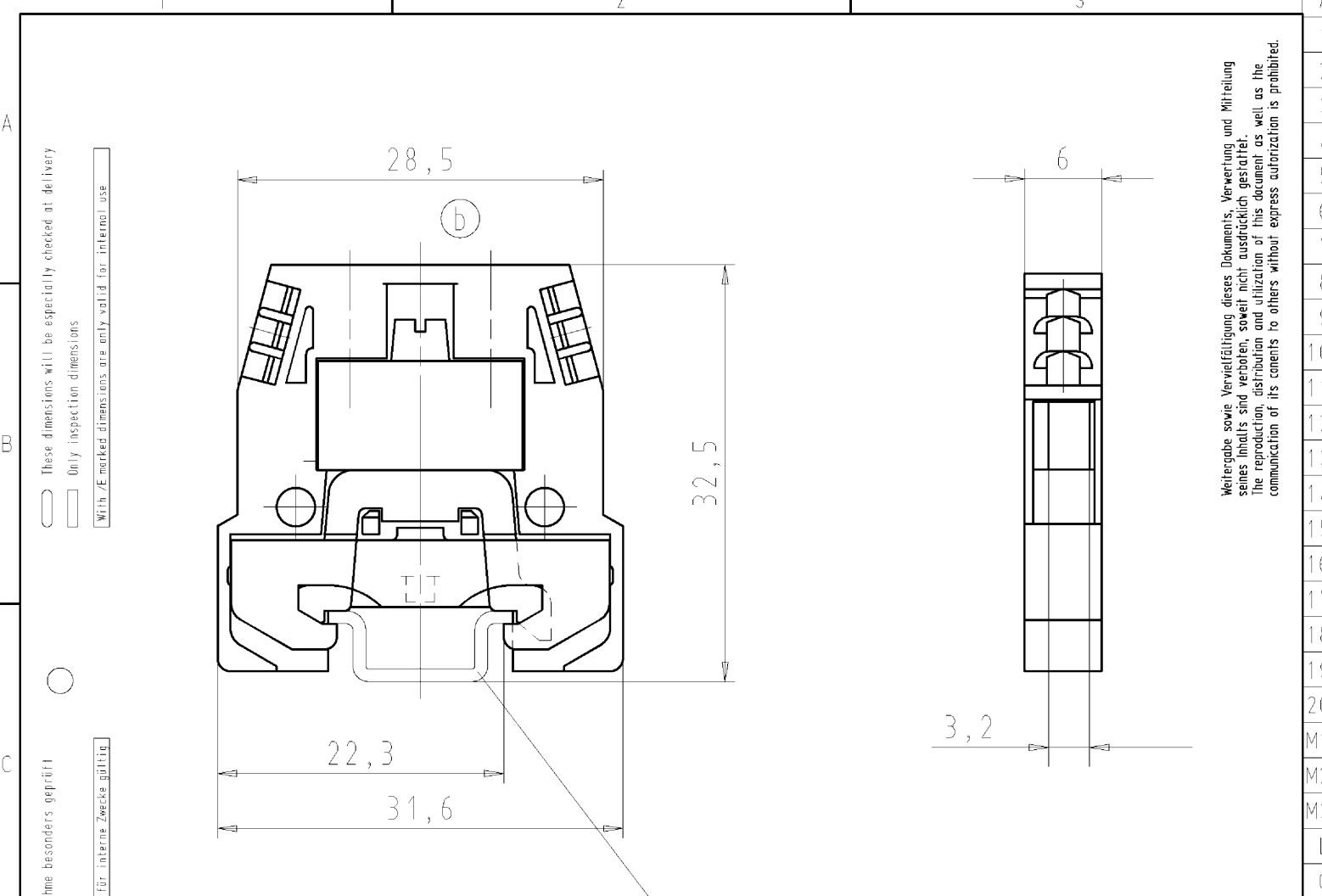
ECLASS 11	
ECLASS 8.1	27141141
ETIM 7.0	EC000901
ETIM 6.0	EC000901
ETIM 5.0	EC000901
ETIM 4.0	EC000901
ETIM 3.0	EC000901

**Product compliance**

ROHS conformity status	Compliant/Exempted
ROHS exceptions	III-6(c)
REACH-SVHC conformity status	Duty-To-Declare
REACH-SVHC substances	Lead
REACH-SVHC CAS numbers	7439-92-1

**Accessories**

Commercial Art.No.:	Article-type description:	Description:
98.090.0015.0	Mounting rail TS 15 PERF - l:2000mm	Mounting rail TS 15, slotted, Höhe 5,5 mm, length 2 m, material steel. galv. zinc-plated and dichromated
07.311.0753.0	End plate APM 4 SL / 15	End plate for DIN rail terminal blocks type WKM 4 SL..., color: grey



Hutschiene EN 60715 15x5,5  
*mounting rail EN 60715 15x5,5*

Weitere Daten siehe Katalog  
*further data see catalog*

Tolerierung nach DIN 7167/Tolerance system acc. to DIN 7167. (This DIN-standard describes the envelope principle. According to the envelope principle the deviations of form and parallelism are limited by the size tolerances). ja/yes  Stoffverbots- und Deklarationsliste nach UU-TQM-05/03 ist einzuhalten. Conformity with Wieland document UU-TQM-05/03 (list of prohibited / declarable hazardous substances) to be declared!

Freitoleranz nach General tolerance CAD - Zeichnung, keine manuellen Änderungen CAD - drawing, no manual modifications allowed I.Verwendung: - First Use: - Blatt: 1 von 1 Sheet: 1 of 1

	/		Werkstoff/Material	2003	Tag/Date	Name	Zeichnung Nr./Drawing No.	Index	
	/			gezeichnet drawn	05.05	Schmitt			55.504.9153.0 01K b
	/			geprüft checked	-	-			
	/			Normgepr. Stand., check	-	-			
	/	Maßstab/Scale				Maße in mm/Dimensions are in mm			
	/	2:1							
	/	Vol.	mm <sup>3</sup> Oil./Surf.	mm <sup>2</sup>	Ersatz für/Replacement for: -				

b	28.02.2012/		<b>wieland</b> Elektrische Verbindungen	Type	Benennung/Tittle
a	12.03.2004/			Typ:	<b>SCHUTZLEITERKLEMME</b> earth terminal
Index	Datum / Blatt Date / Sheet			WKM 4SL / 15/VO	
Änderung/Revision					

Weitergabe sowie Vervielfältigung dieses Dokuments, Verwertung und Mitteilung seines Inhalts sind verboten, soweit nicht ausdrücklich gestattet. The reproduction, distribution and utilization of this document as well as the communication of its contents to others without express authorization is prohibited.

555049153001K\_2 CADW2036\_treschan 2012-02-29T09:28:16 1.000