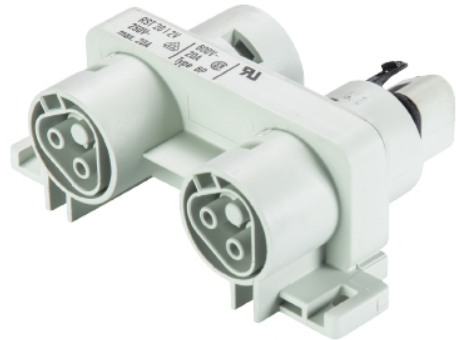


## Data sheet

Commercial Art.No.: 96.020.0153.0

Distributor RST20I2V 3P1 F V GL

RST20i3/2 distribution block, 2 pole, application 250V, 20A, 1 input and 3 outputs, with fastening option, coding color light grey, color of housing light grey



Commercial Art.No.	96.020.0153.0
EAN	4015573949546
Order Unit	1

Certificates / Approvals



LR

RINA



## Technical data

### General

Rated current	20 A
Rated voltage	250 V
Rated impulse voltage	4 kV
Pollution degree	3
Lockable	self-locking (unlocking by tool)
Color of coding/ contact carrier	light grey
Marking of poles	L, N

### Model

Number of inputs	1
Number of outputs	3
Type of fastening	yes
Degree of protection (IP)	IP66/68 (3m;2h) /IP69
Type of distributor	Distribution block

### Material

Housing material	Polyamide
halogen free	yes
Contact material	CuZn
Fire load	0.226 kWh
Insulation components continuous temperature	100 °C
Surface finish	Silver-plated

### Dimensions

Length	55.5 mm
--------	---------

Width	85.8 mm
Height	31.3 mm

#### Classification

ECLASS 11	
ECLASS 8.1	27440603
ETIM 7.0	EC002567
ETIM 6.0	EC002567
ETIM 5.0	EC002567
ETIM 4.0	EC002567

#### Product compliance

ROHS conformity status	Compliant/Exempted
ROHS exceptions	III-6(c)
REACH-SVHC conformity status	Duty-To-Declare
REACH-SVHC substances	Lead
REACH-SVHC CAS numbers	7439-92-1

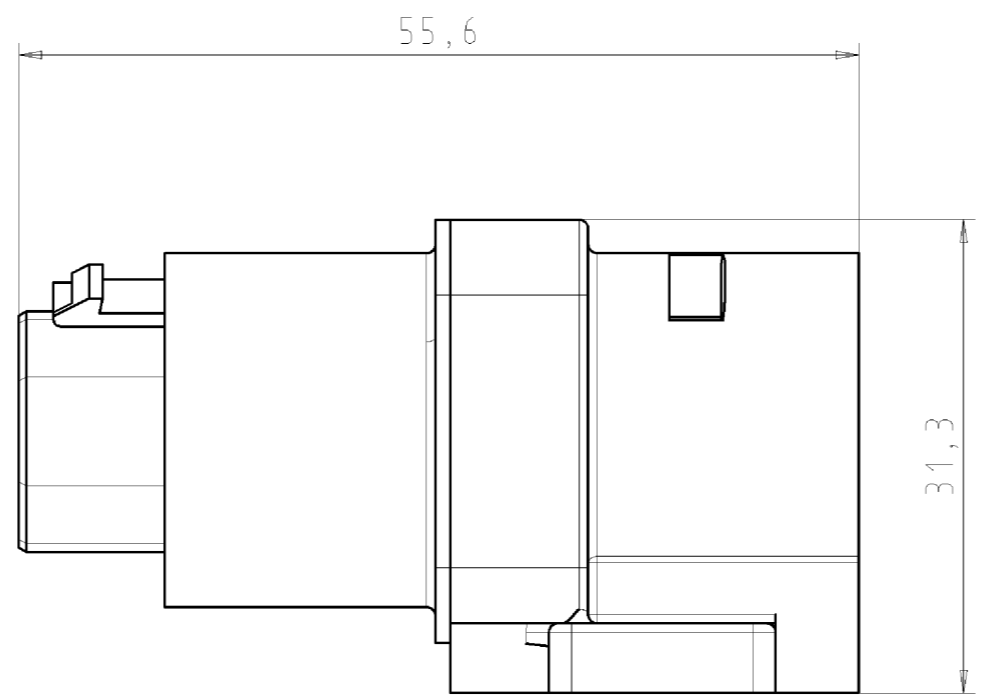
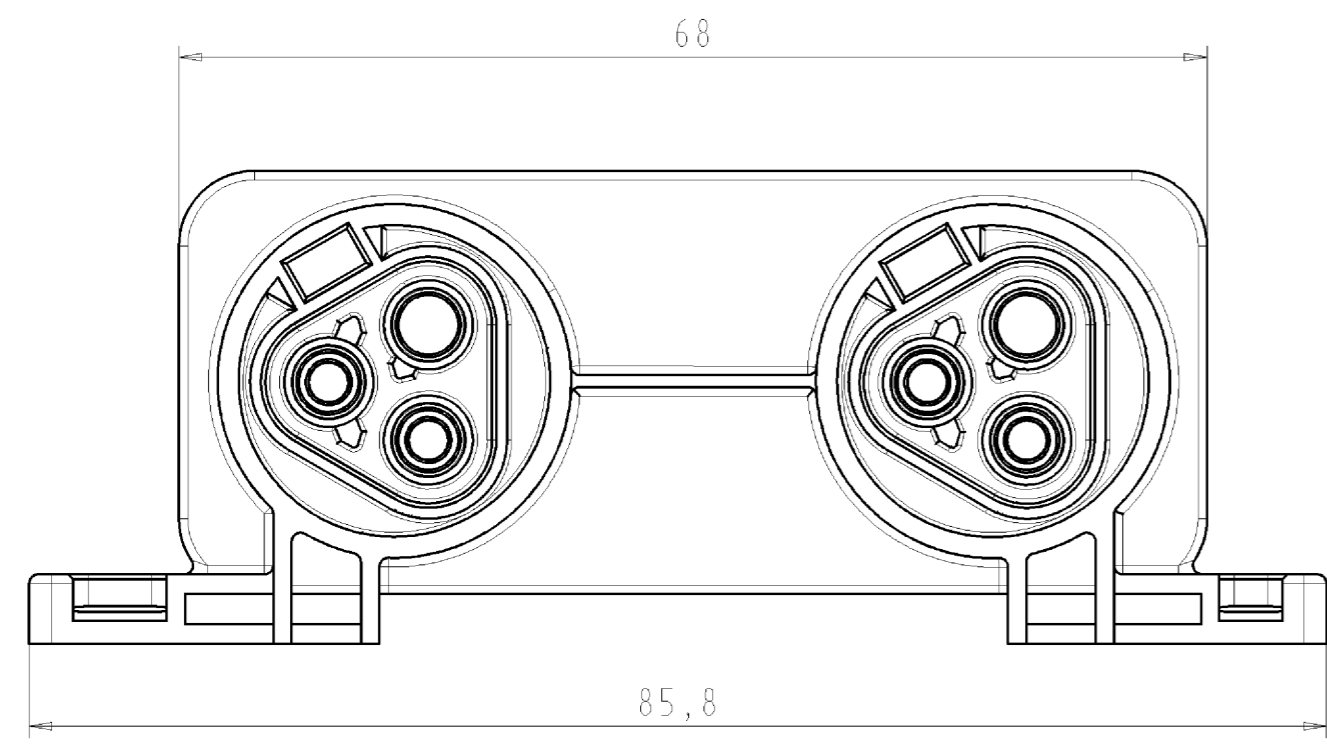
#### Accessories

Commercial Art.No.:	Article-type description:	Description:
05.564.4453.0	Cover for male connector GL	RST20i3/2 cover piece, for covering unused male connectors, color light grey
99.413.6205.2	Cover for female connector GL	RST20i3/2 cover piece, for covering unused female connectors, with fastening belt, color light grey
99.415.6205.2	Cover for male connector GL	RST20i3/2 cover piece, for covering unused male connectors, with fastening belt, color light grey
Z5.564.4553.0	Cover for female connector GL	RST20i3/2 cover piece, for covering unused female connectors, color light grey

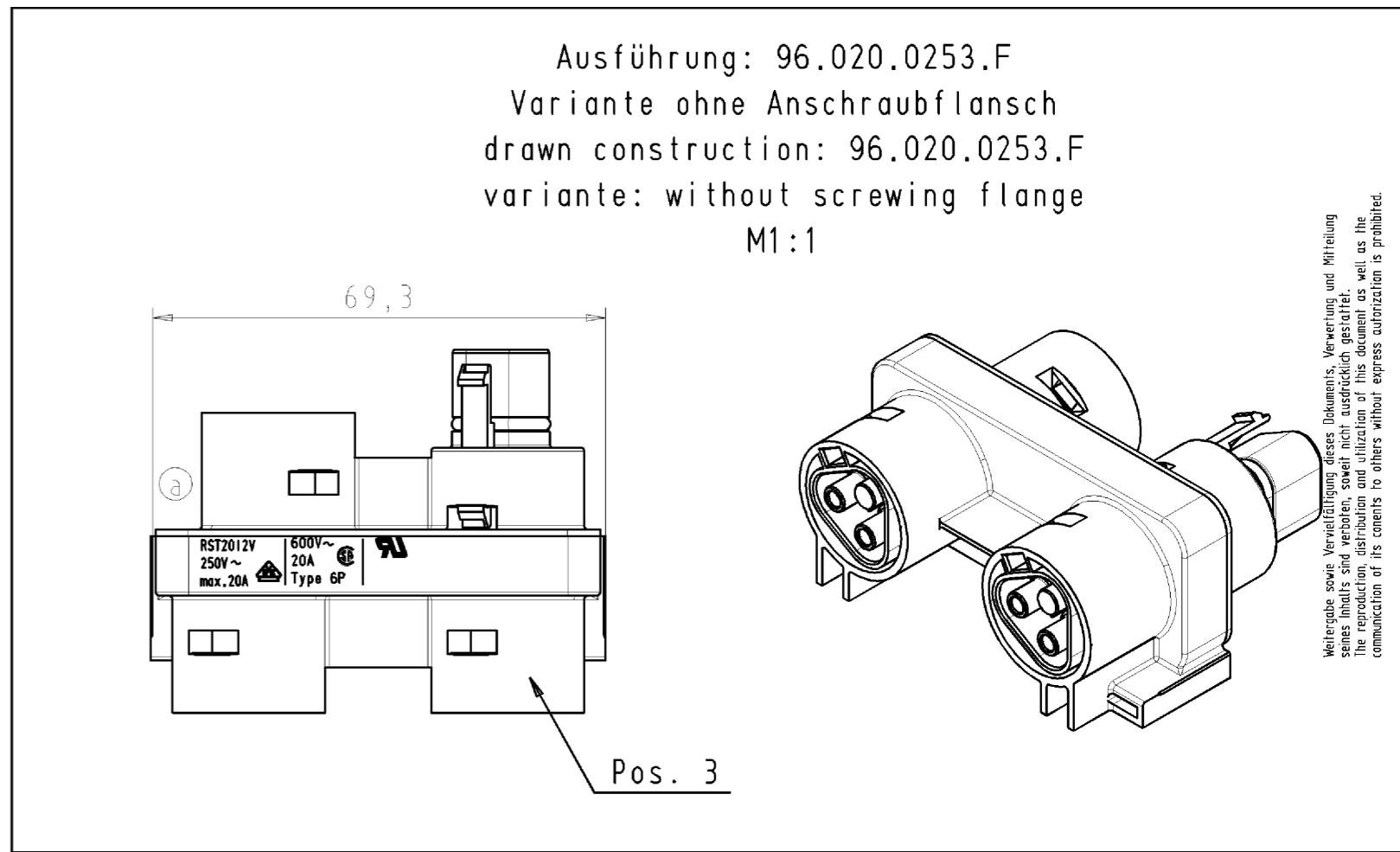
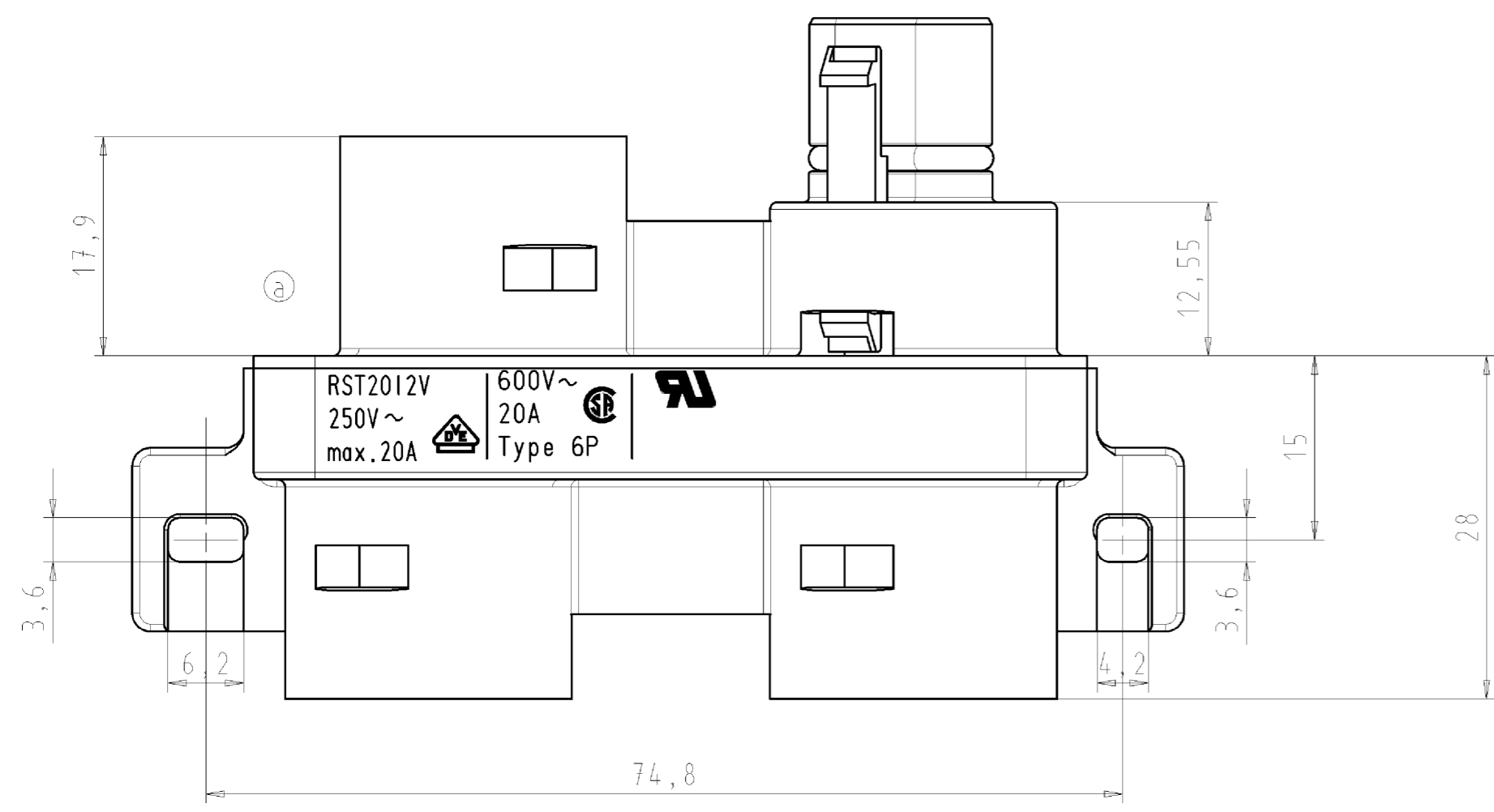
#### Fits with

Commercial Art.No.:	Article-type description:	Description:
96.021.0053.0	Connector RST20I2F B23ZR1 GL	RST20i3/2 connector, 2 pole, female, spring clamp connection, application 250V, 20A, for cable diameters 6-10mm, coding color light grey, color of housing light grey
96.022.0053.0	Connector RST20I2F S23ZR1 V GL	RST20i3/2 connector, 2 pole, male, spring clamp connection, application 250V, 20A, for cable diameters 6-10mm, coding color light grey, color of housing light grey
96.021.4053.0	Connector RST20I2S B13ZR1 GL	RST20i3/2 connector, 2 pole, female, screw connection, application 250V, 20A, for cable diameters 6-10mm, coding color light grey, color of housing light grey
96.022.4053.0	Connector RST20I2S S13ZR1 V GL	RST20i3/2 connector, 2 pole, male, screw connection, application 250V, 20A, for cable diameters 6-10mm, coding color light grey, color of housing light grey
96.021.0153.0	Connector RST20I2F B23ZR2 GL	RST20i3/2 connector, 2 pole, female, spring clamp connection, application 250V, 20A, for cable diameters 10-14mm, coding color light grey, color of housing light grey
96.022.0153.0	Connector RST20I2F S23ZR2 V GL	RST20i3/2 connector, 2 pole, male, spring clamp connection, application 250V, 20A, for cable diameters 10-14mm, coding color light grey, color of housing light grey

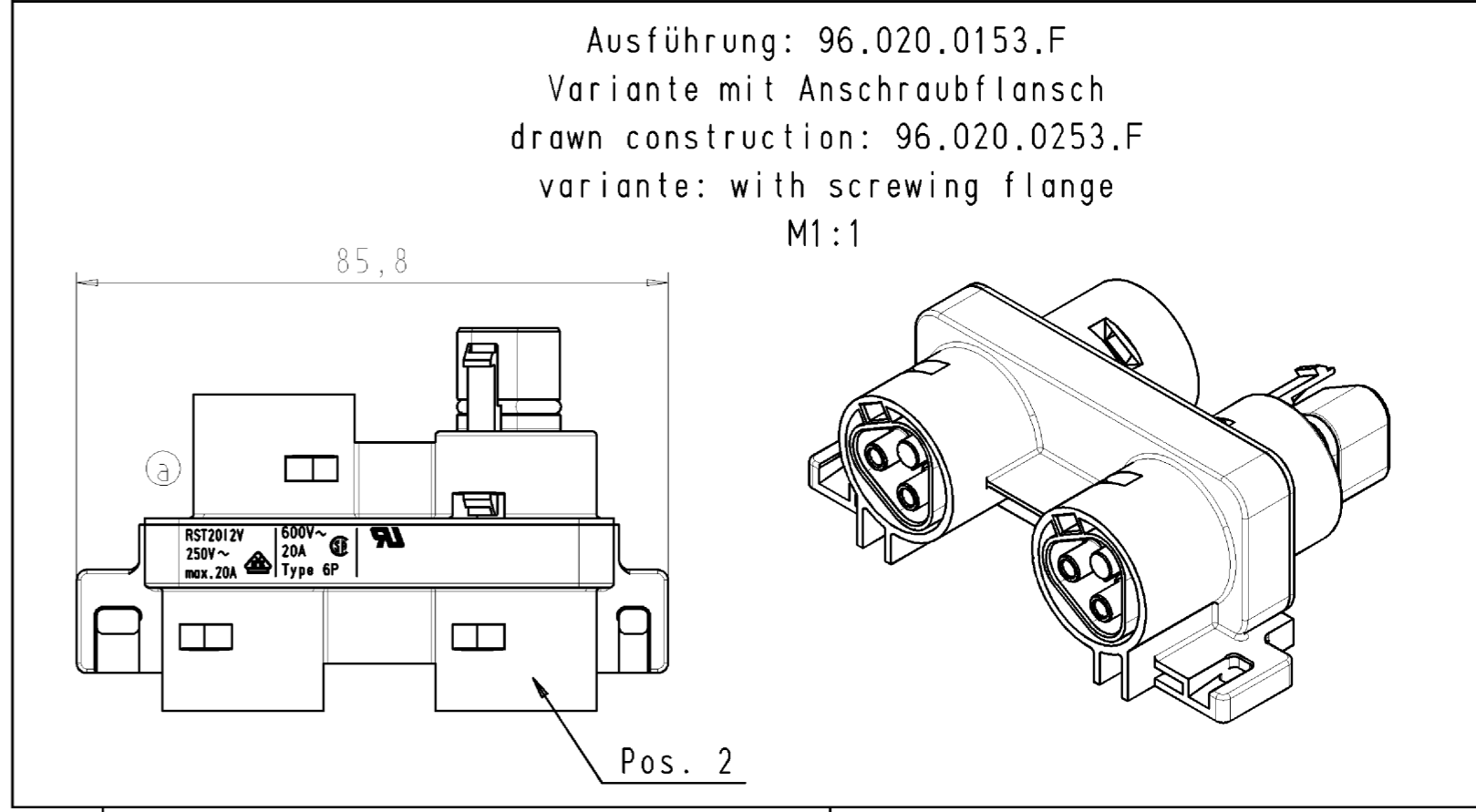
96.021.4153.0	Connector RST20I2S B13ZR2 GL	RST20i3/2 connector, 2 pole, female, screw connection, application 250V, 20A, for cable diameters 10-14mm, coding color light grey, color of housing light grey
96.022.4153.0	Connector RST20I2S S13ZR2 V GL	RST20i3/2 connector, 2 pole, male, screw connection, application 250V, 20A, for cable diameters 10-14mm, coding color light grey, color of housing light grey
96.021.4453.0	Connector RST20I2S B13ZRW GL	RST20i3/2 connector, 2 pole, female, screw connection, application 250V, 20A, for illumination cable, coding color light grey, color of housing light grey
96.022.4453.0	Connector RST20I2S S13ZRW V GL	RST20i3/2 connector, 2 pole, male, screw connection, application 250V, 20A, for illumination cable, coding color light grey, color of housing light grey
96.023.4053.0	Connector RST20I2S B13YR1 GL	RST20i3/2 connector (90° angled), 2 pole, female, screw connection, application 250V, 20A, for cable diameters 6-10mm, coding color light grey, color of housing light grey
96.024.4053.0	Connector RST20I2S S13YR1 V GL	RST20i3/2 connector (90° angled), 2 pole, male, screw connection, application 250V, 20A, for cable diameters 6-10mm, coding color light grey, color of housing light grey
96.023.4153.0	Connector RST20I2S B13YR2 GL	RST20i3/2 connector (90° angled), 2 pole, female, screw connection, application 250V, 20A, for cable diameters 10-14mm, coding color light grey, color of housing light grey
96.024.4153.0	Connector RST20I2S S13YR2 V GL	RST20i3/2 connector (90° angled), 2 pole, male, screw connection, application 250V, 20A, for cable diameters 10-14mm, coding color light grey, color of housing light grey
96.021.4253.0	Connector RST20I2S B13ZRX GL	RST20i3/2 splitter connector, 2 pole, female, screw connection, application 250V, 20A, for cable diameters 6-10mm, coding color light grey, color of housing light grey
96.021.4353.0	Connector RST20I2S B1 ZRY GL	RST20i3/2 splitter connector, 2 pole, female, screw connection, application 250V, 20A, for cable diameters 10-14mm, coding color light grey, color of housing light grey
96.021.0453.0	Connector RST20I2F B23ZRW GL	RST20i3/2 connector, 2 pole, female, spring clamp connection, application 250V, 20A, for illumination cable, coding color light grey, color of housing light grey
96.022.0453.0	Connector RST20I2F S23ZRW V GL	RST20i3/2 connector, 2 pole, male, spring clamp connection, application 250V, 20A, for illumination cable, coding color light grey, color of housing light grey
96.023.0053.0	Connector RST20I2F B23YR1 GL	RST20i3/2 connector (90° angled), 2 pole, female, spring clamp connection, application 250V, 20A, for cable diameters 6-10mm, coding color light grey, color of housing light grey
96.024.0053.0	Connector RST20I2F S23YR1 V GL	RST20i3/2 connector (90° angled), 2 pole, male, spring clamp connection, application 250V, 20A, for cable diameters 6-10mm, coding color light grey, color of housing light grey
96.023.0153.0	Connector RST20I2F B23YR2 GL	RST20i3/2 connector (90° angled), 2 pole, female, spring clamp connection, application 250V, 20A, for cable diameters 10-14mm, coding color light grey, color of housing light grey
96.024.0153.0	Connector RST20I2F S23YR2 V GL	RST20i3/2 connector (90° angled), 2 pole, male, spring clamp connection, application 250V, 20A, for cable diameters 10-14mm, coding color light grey, color of housing light grey
96.021.0253.0	Connector RST20I2F B23ZRX GL	RST20i3/2 splitter connector, 2 pole, female, spring clamp connection, application 250V, 20A, for cable diameters 6-10mm, coding color light grey, color of housing light grey
96.021.0353.0	Connector RST20I2F B23ZRX GL	RST20i3/2 splitter connector, 2 pole, female, spring clamp connection, application 250V, 20A, for cable diameters 10-14mm, coding color light grey, color of housing light grey



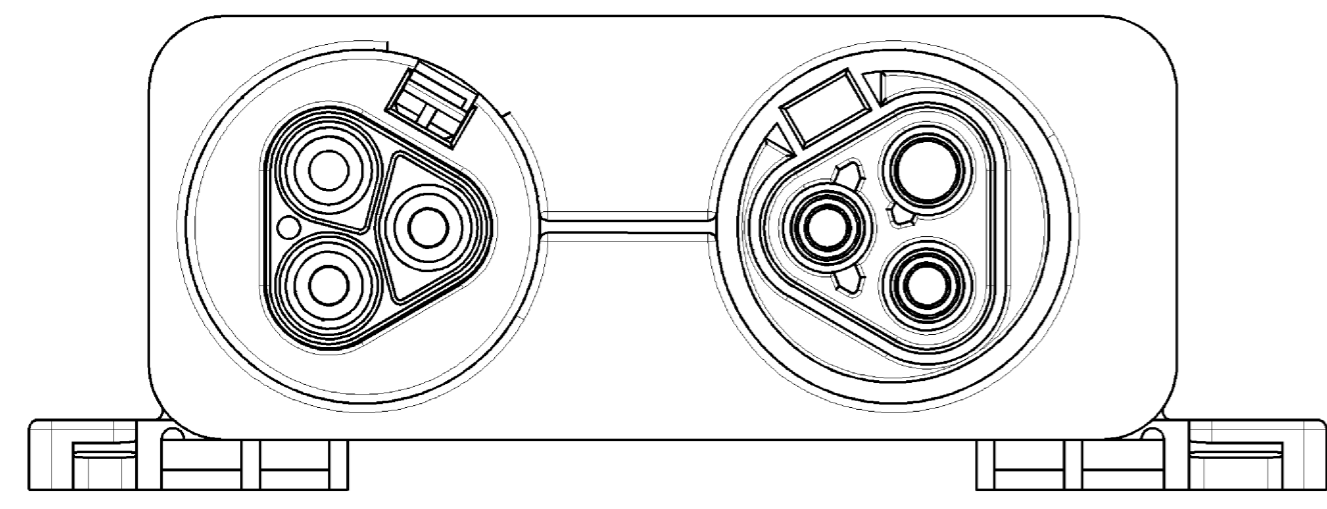
Gezeichnete Ausführung 96.020.0153.F  
drawn construction: 96.030.0153.0



Ausführung: 96.020.0253.F  
Variante ohne Anschraubflansch  
drawn construction: 96.020.0253.F  
variante: without screwing flange  
M1:1



Ausführung: 96.020.0153.F  
Variante mit Anschraubflansch  
drawn construction: 96.020.0253.F  
variante: with screwing flange  
M1:1



Teile-Nr. part-no.	Type typ	Farbe color	Variante variante
96.020.0153.1	RST2012V_3P1_F_V_SW	schwarz, ähnl. RAL 9005 black, similar to RAL 9005	mit Anschraubflansch with screwing flange
96.020.0153.0	RST2012V_3P1_F_V_GL	grau, ähnl. RAL 7032 grey, similar to RAL 7032	mit Anschraubflansch with screwing flange
96.020.0253.1	RST2012V_3P1_V_SW	schwarz, ähnl. RAL 9005 black, similar to RAL 9005	ohne Anschraubflansch without screwing flange
96.020.0253.0	RST2012V_3P1_V_GL	grau, ähnl. RAL 7032 grey, similar to RAL 7032	ohne Anschraubflansch without screwing flange

Freitoleranz nach  
General tolerance

Werkstoff/Material  
2006 Tag/Date  
Name  
04.12. Kneitz

Maßstab/Scale  
2:1

Val. mm Dtl./Surf. mm

Ersatz für/Replacement for: -

1. Verwendung: -  
First Use:

Zeichnung Nr./Drawing No.  
96.020.0153.0 01K a

Maße in mm/Dimensions are in mm

Wieland  
Elektrische  
Verbindungen

VERTEILER  
distribution block  
Standardcodierung/standardkeying KO

Wieland sowie Vertriebspartner dieses Dokuments, Verwertung und Mithaltung  
sees limits and reserves, soweit nicht ausdrücklich gestattet.  
The reproduction, distribution and utilization of this document as well as the  
communication of its contents to others without express authorization is prohibited.

These dimensions will be especially checked at delivery  
Only inspection dimensions  
Only if stated dimensions are only valid for internal use

Diese Maße werden bei Abnahme besonders geprüft  
Ausschließlich Prüfmaße  
Nur, wenn angegeben Maße sind nur für interne Zwecke gültig

96020015301K\_F 01K02028 104K 2829-04-30114 0230 1:000