

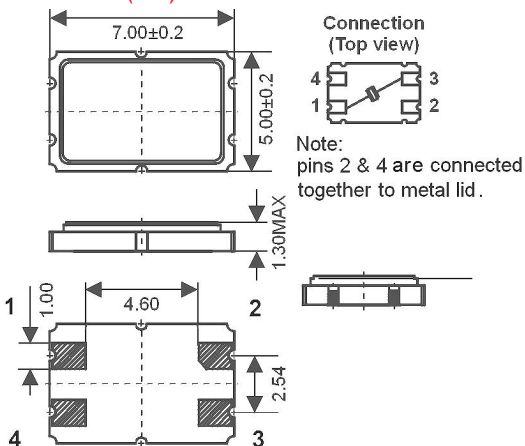


## Quartz Crystal

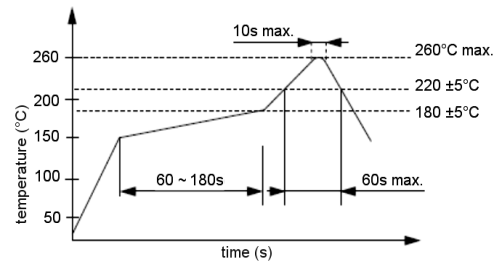
SMD-version

part no.	12.87973
model	KX - 13
frequency	7.37280 MHz
mode	fundamental
operating temperature	-20° ~ +70°C
frequency tolerance at +25°C	±30 ppm
temperature tolerance at -20° ~ +70°C	±50 ppm
load capacitance $C_L$	16 pF
series resistance R1 max.	100 Ohm
aging at 25°C ( first year ) max.	±2 ppm
shunt capacitance $C_O$ max.	7.0 pF
drive level max.	300 $\mu$ W
contents of reel	1000 pcs.

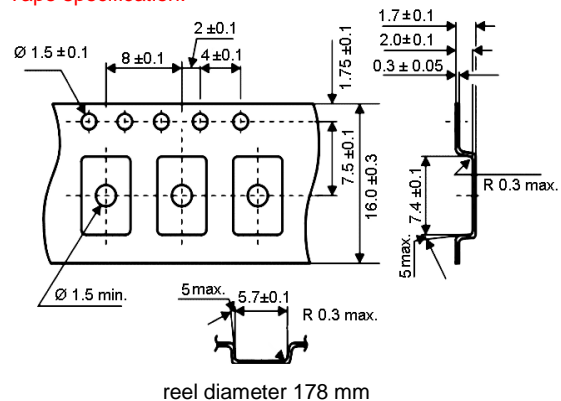
### Dimensions (mm):



### Reflow soldering condition:



### Tape specification:



### Suggested soldering pad:

