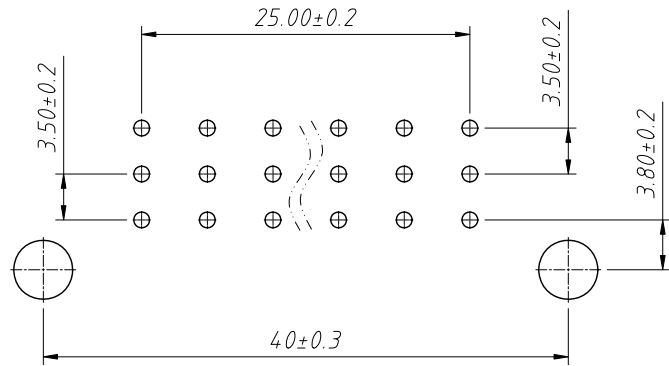
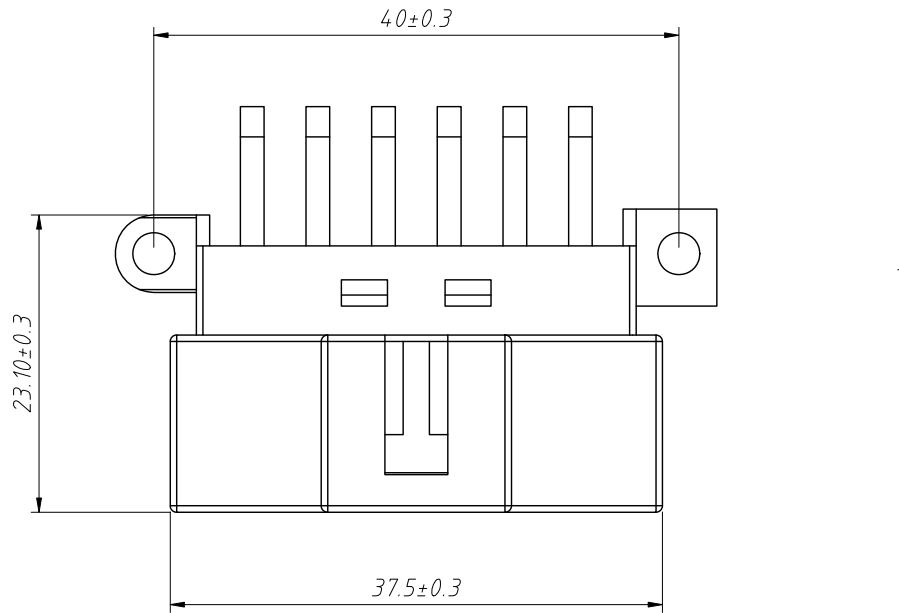


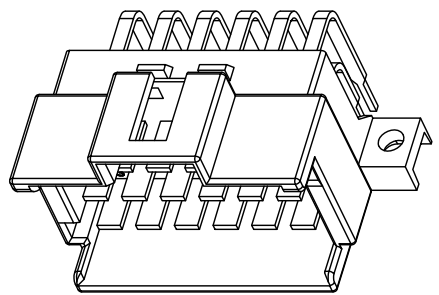
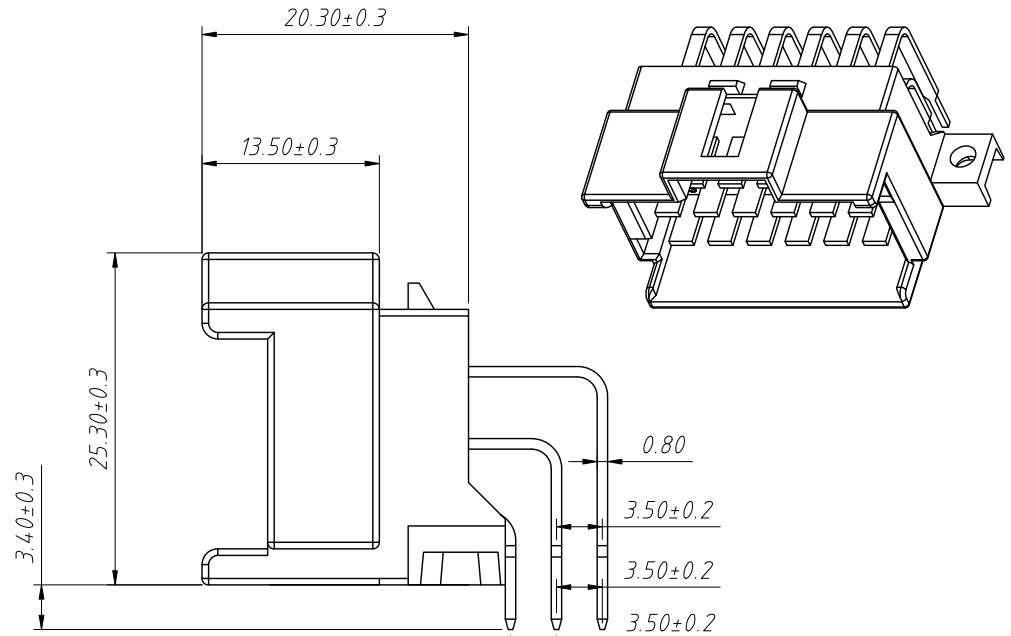
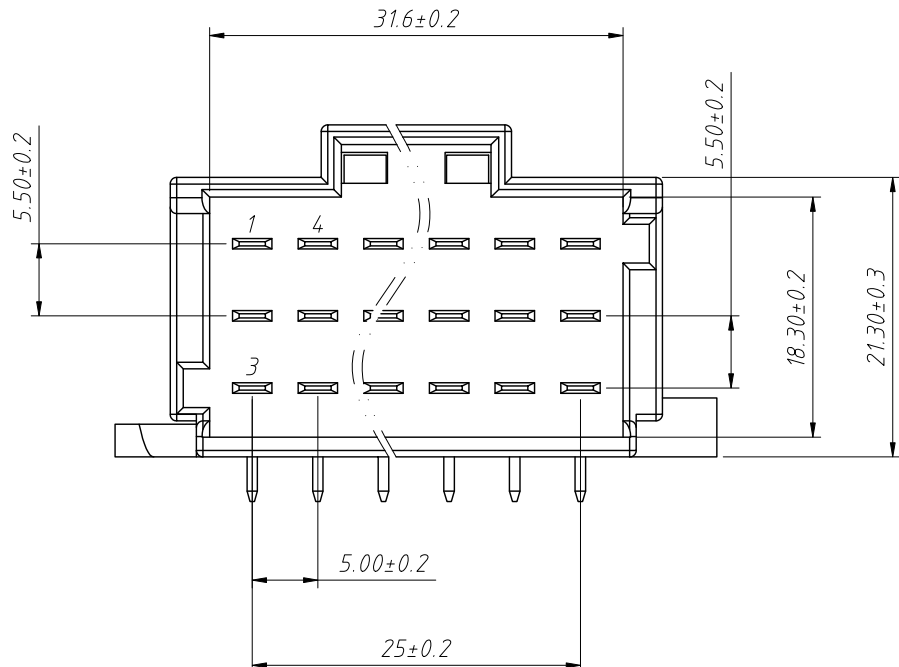
RoHS Compliance



Recommended PCB Layout

Material:  
 Housing:PBT,Black  
 Contact:Brass  
 Plating:Tin plate

Electrical Characteristics:  
 Current Rating:25A  
 Temperature range:-40°C ~ +125°C



|                   |            |                                      |                    |
|-------------------|------------|--------------------------------------|--------------------|
| ANGLE TOLERANCE   | PROJECTION | Description:                         |                    |
| ±3°               |            | Automotive Connectors,Female Housing |                    |
| GENERAL TOLERANCE | UNITS      | mm                                   | KLS P/N:           |
| x.x ±0.30         | SHEET SIZE | A4                                   | L-KLS13-MER03-18-R |
| x.xx ±0.20        | Draw:      | Daniel                               | 2023-05-05         |
| x.xxx ±0.10       | Check:     | Daniel                               | 2023-05-05         |

