

Data sheet

Commercial Art.No.: 05.544.1829.8

Male contact D 3,6- 1,5 QMM AG

Male contact, turned Ø 3,6 mm, 1,5 mm², AWG 16, Ag



Commercial Art.No.	05.544.1829.8
EAN	4015573681729
Order Unit	100

Technical data

General

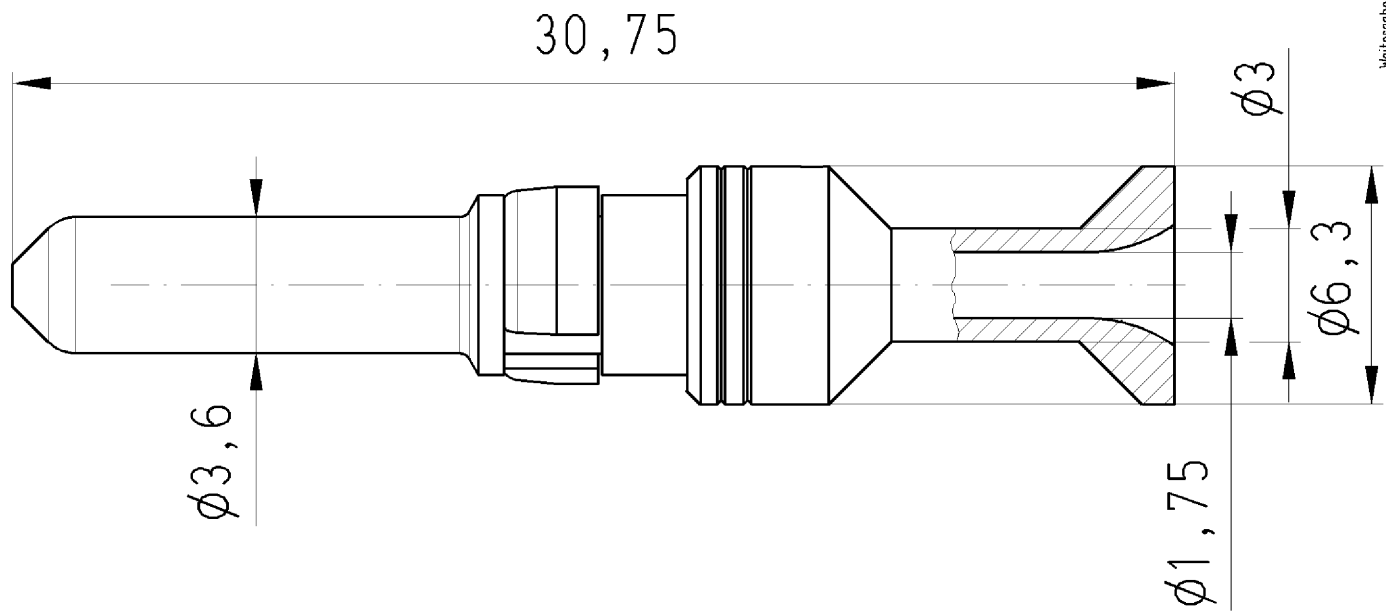
Wire strip length	10 mm
Min. conductor cross section flexible wire	1.5 mm ²
Max. conductor cross section flexible wire	1.5 mm ²
Min. UL/CSA wire diameter flexible wire	16 AWG
Max. UL/CSA wire diameter flexible wire	16 AWG
Connection type	Crimp
Material	Other
Massive contact	yes
Contact pin diameter	3.6 mm
Inflammability class of insulation material acc. with UL94	Other
Contact resistance	≤ 1 mOhm

Classification

ECLASS 11	
ECLASS 8.1	27440204
ETIM 7.0	EC000796
ETIM 6.0	EC000796
ETIM 5.0	EC000796
ETIM 4.0	EC000796
ETIM 3.0	EC000796

Product compliance

ROHS conformity status	Compliant/Exempted
ROHS exceptions	III-6(c)
REACH-SVHC conformity status	Duty-To-Declare
REACH-SVHC substances	Lead
REACH-SVHC CAS numbers	7439-92-1



Steckerkontakt
05.544.1829.8

Zeichnungsnummer
05.544.1829.8.010W
Steckerkontakt

20.08.2008
Hoffmann Angelika
M 5:1