

Data sheet

Commercial Art.No.: 25.630.3253.0

PCB connector 8513 BFK / 2 TOP OB

PCB female connector with tension spring connection, 2 poles, max. cross section: 1.5 mm², pitch: 3.5 mm, type of packing: carton, color: grey



| | |
|--------------------|---------------|
| Commercial Art.No. | 25.630.3253.0 |
| EAN | 4015573512030 |
| Order Unit | 100 |

Certificates / Approvals



Technical data

General

| | |
|------------------------------------|-------------------------|
| Modular spacing | 3.5 mm |
| Connection type | spring clamp connection |
| Soldering process | None |
| Packaging | Carton |
| Number of poles | 2 |
| Marking | No |
| Fastening | None |
| Mating direction towards connector | 180° |

Technical data

| | |
|--------------------------|---------------------|
| Nominal cross section | 1.5 mm ² |
| Rated current | 8 A |
| Overvoltage Category I | 690 V |
| Overvoltage Category II | 250 V |
| Overvoltage Category III | 125 |
| Rated impulse voltage | 2.5 kV |
| Wire strip length | 8 mm |

Connection Data

| | |
|-------------------------------------|----------------------|
| Minimum cross section solid | 0.14 mm ² |
| Maximum cross section solid | 1.5 mm ² |
| Minimum cross section fine stranded | 0.14 mm ² |
| Maximum cross section fine stranded | 1.5 mm ² |
| Wire strip length | 8 mm |

Technical Data UL/CSA

| | |
|------------------|-----------|
| Cross section UL | 30-16 AWG |
|------------------|-----------|

| | |
|------------------------|-----------|
| Voltage UL | 300 V |
| Current field wiring | 8 A |
| Current factory wiring | 8 A |
| Cross section CSA | 22-14 AWG |
| Voltage CSA | 300 V |
| Current CSA | 5 A |

Other

| | |
|-----------------------------|---------------|
| Type of insulation material | Thermoplastic |
| Color | Grey |
| Height | 12.4 mm |
| Length | 7 mm |
| Depth | 17.9 mm |
| Material attachment screw | None |
| Material contact base | Steel |
| Material contact surface | Sn |

Classification

| | |
|------------|----------|
| ECLASS 11 | |
| ECLASS 8.1 | 27440402 |
| ETIM 7.0 | EC002637 |
| ETIM 6.0 | EC002637 |
| ETIM 5.0 | EC002637 |
| ETIM 4.0 | EC002637 |

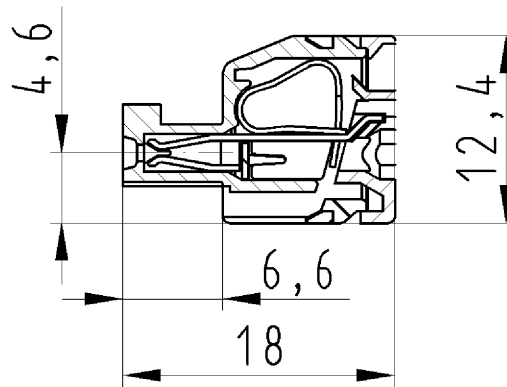
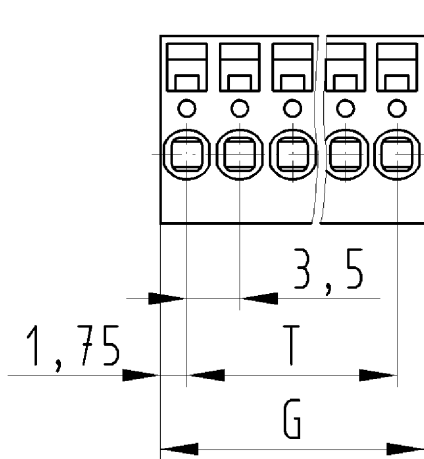
Product compliance

| | |
|------------------------------|-----------|
| ROHS conformity status | Compliant |
| REACH-SVHC conformity status | Compliant |

Fits with

| Commercial Art.No.: | Article-type description: | Description: |
|---------------------|------------------------------------|--|
| 25.646.0253.0 | PCB pin header 8513 S / 2 G OB | PCB pin header with pin header, connection method depends on used socket part , 2 poles, pitch: 3.5 mm, type of packing: carton, color: grey |
| 25.642.3253.0 | PCB pin header 8513 SUFK / 2 OB | PCB pin header with tension spring connection, 2 poles, max. cross section: 1.5 mm ² , pitch: 3.5 mm, type of packing: carton, color: grey |
| 25.642.0253.0 | PCB pin header 8513 SUFK / 2 | PCB pin header with tension spring connection, 2 poles, printed version, max. cross section: 1.5 mm ² , pitch: 3.5 mm, type of packing: carton, color: grey |
| 25.647.0253.0 | PCB pin header 8513 S / 2 W OB | PCB pin header with pin header, connection method depends on used socket part , 2 poles, pitch: 3.5 mm, type of packing: carton, color: grey |
| 25.647.0206.0 | PCB pin header 8513 S / 2 W OB THR | PCB pin header with pin header, connection method depends on used socket part , 2 poles, with solder pin (2.6mm, tin plated), pitch: 3.5 mm, type of packing: carton, color: black, This product can be soldered by reflow and wave soldering, |
| 27.647.0253.1 | PCB pin header 8513 SEG/ 2/ 4 W OB | PCB pin header, 4 poles, pitch: 3.5 mm, type of packing: carton, color:black |
| 25.646.0208.0 | PCB pin header 8513 S / 2 G OB THR | PCB pin header with pin header, connection method depends on used socket part , 2 poles, with solder pin (1.5mm, tin plated), pitch: 3.5 mm, type of packing: carton, color: black, This product can be soldered by reflow and wave soldering, |

| | | |
|---------------|------------------------------------|--|
| 25.647.0208.0 | PCB pin header 8513 S / 2 W OB THR | PCB pin header with pin header, connection method depends on used socket part , 2 poles, with solder pin (1.5mm, tin plated), pitch: 3.5 mm, type of packing: carton, color: grey, This product can be soldered by reflow and wave soldering, |
| 25.646.0206.0 | PCB pin header 8513 S / 2 G OB THR | PCB pin header with pin header, connection method depends on used socket part , 2 poles, with solder pin (2.6mm, tin plated), pitch: 3.5 mm, type of packing: carton, color: black, This product can be soldered by reflow and wave soldering, |



für folgende Tabellen-Zchnng.:
 25.630.3253.0 8513 BFK/ ... OB

LP-Steckklemme
 25.630.3253.0 10W
 22.10.2007 DÜT
 M 2:1