

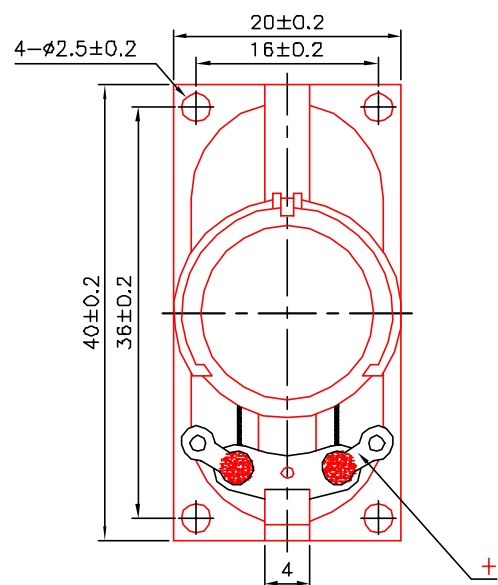
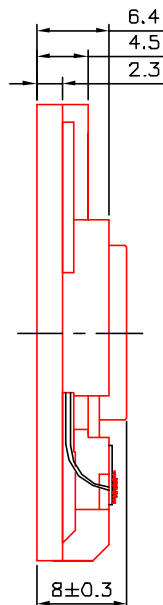
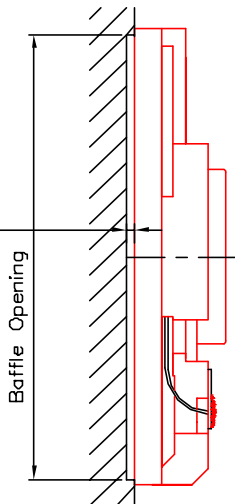
VECO VANSONIC ENTERPRISE CO., LTD.

8F., No.7, Lane 16, Sec.2, Szechwan Road, Panchiao, Taipei Hsien, TAIWAN.
 TEL: +886-2-29626335 FAX: +886-2-29625220 E-MAIL: VANSONIC@MS4.HINET.NET

1.	MODEL:	40KS08P-1			
2.	Dimension	Outer Diameter	20 X 40mm.	Baffle Opening	19 X 39mm.
		Height	Refer to Drawing	Weight	6.4 Grams.
3.	Magnet	Materials	Rare Earth	Size	∅ 11.5x1.5 mm.
4.	Nominal Resistance		8	± 15 %	
5.	Power Rating	Normal	2 W.	Maximum	3 W.
6.	Lowest Resonant Frequency		540	± 20 %	Hz.
7.	Output Sound Pressure Level (S.P.L.)		87	± 3 db / 1.0 Watt	. 0.5 Meter.
		Average at	600, 1000, 1000, 1200		Hz.
8.	Frequency Range	300	~ 15000	Hz.	Average SPL - 10 db.
9.	Distortion	5 %	Maximum At	1000	Hz. 1 W.
10.	Abnormal Sound Test	Must be Normal Tested By		4 Volts.	Sine Wave.
11.	Load Test	White Noise with Weighted Filter		4 Volts.(RMS)	24 Hrs.
12.	Polarity	Diaphragm shall move Forward when Apply a Positive DC.			
		Current to the "+" or "Marked" Terminal.			

MOUNTING NOTICE

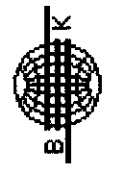
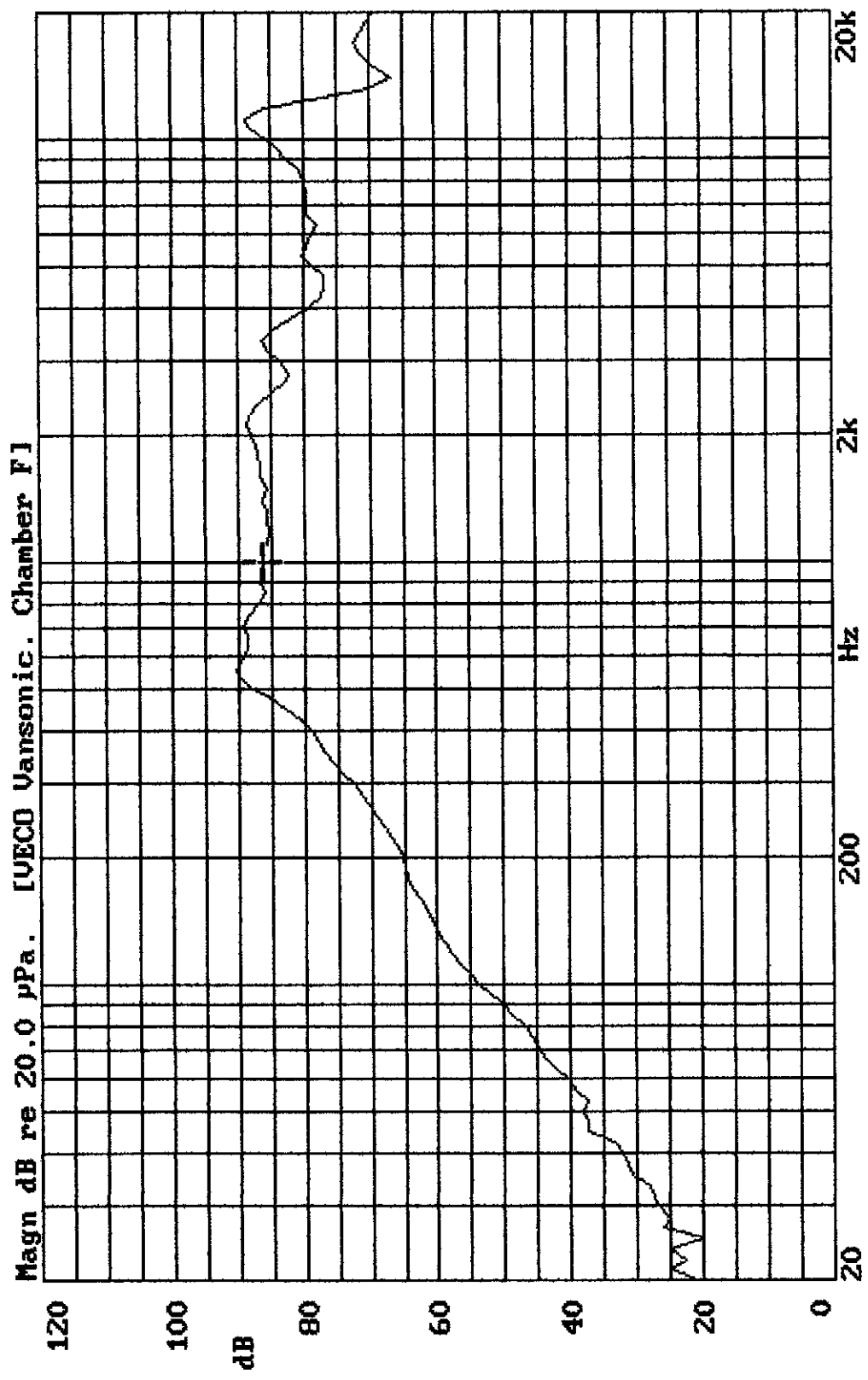
AT LEAST
0.8mm
FOR
DIAPHRAM
MOVING



Unit : mm

Housing Material : PBT

P40KS08P-1 VOL:2V.83V(1W) DIS:0.5M VANSONIC
X:1.0000kHz *Y:86.35dB ZA:1.0000 SSR Fund.



20-AUG-2002 10:06:38

Mode: SSR