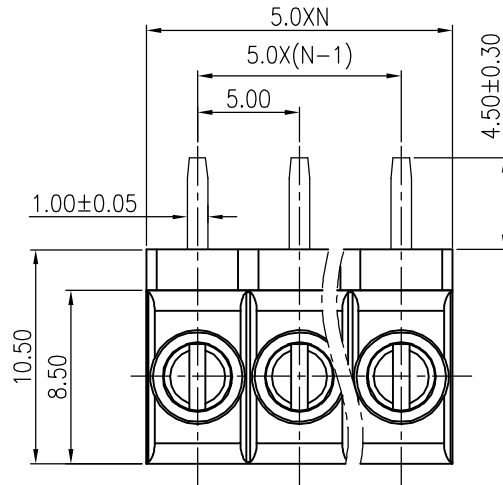


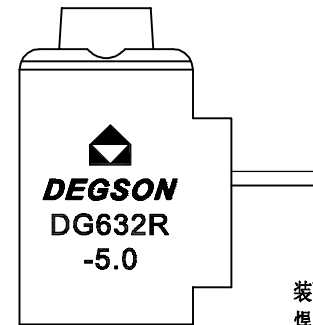
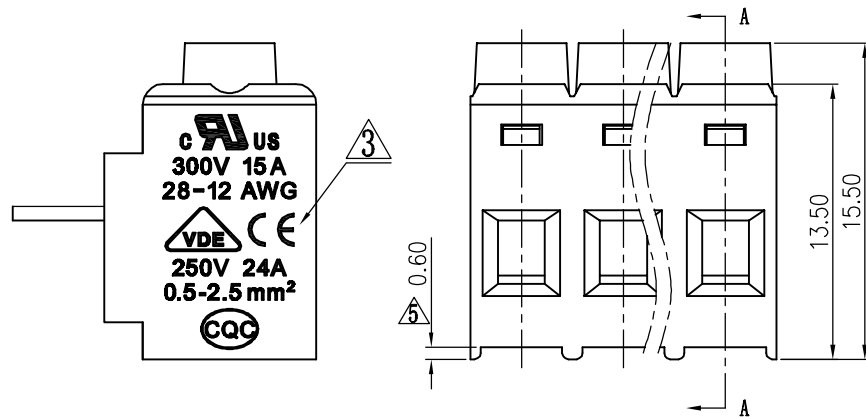
REVISION RECORD				
REV	ECN	DESCRIPTION	DRFT	DATE
△		图面修改	LIN	01/28/08*
△		增加CE、UL刻字	LJH	03/20/08*
△		增加VDE刻字	Zengy	07/16/08*
△	10-0211	螺丝料号由“S000002050”改为“S000001390”	Jizhai.Lan	09/02/10*
△	10-0290	改善螺丝顶出	Gary.H	09/02/10*



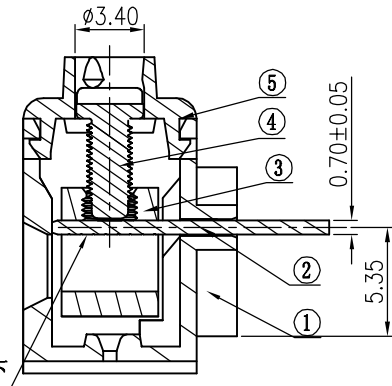
Notes:

1. Pitch: 5.0mm, Poles: 2-20P
2. Rated voltage/current: UL 300V/15A
VDE 250V/24A
3. Operation temperatures: -40°C~+105°C
4. Withstanding Voltage: AC2000V/1min
5. Insulation Resistance: 1000MΩ/DC500V
6. Wire Range: 28~12AWG, 0.5~2.5mm²
7. Max. Torque Value: M2.5, 4.08kgf.cm
8. Undimensioned Tolerances:

Pitch range in mm		Nominal dimension range in mm				—
to 6	over 6 to 10	over 10 to 24	over 30 to 60	over 60 to 100	over 100 to 150	—
±0.10	±0.15	±0.25	±0.2	±0.3	±0.5	±1.0
						0.05/10



装配时
焊脚防滑印朝下



SECTION A-A

5	DG632-5.0-Cover	4085C0YXXA (H)	1	PA66	UL94V-0
4	DG332 "M2.5 Screw	S000001390 (H)	XX	Steel	Cr ³⁺ Zn
3	DG128-Cage	X00000020 (H)	XX	Brass	Ni plated
2	DG632R-5.0-Header	4086B00010 (H)	XX	Brass	SnCe

ITEM	NAME OF PART	NO. OF PART	Q'TY	MATERIAL	NOTES
1	DG632R-5.0-Housing	4086A0YXXA (H)	1	PA66	UL94V-0

TOLERANCES EXCEPT AS NOTED: MM .0 ± .00 ± .000 ±	DFTO LIN CHKD MFD APPVL DATE DATE DATE DATE	DATE 03/22/07*	宁波高正电子有限公司 DEGSON [®] DEGSON ELECTRONICS CO., LTD	
ANGLES ± 1° THIRD ANGLE PROJECTION	MATERIAL : G.E : FINISH : SCALE :	NAME DG632R-5.0-XXP-1Y-00A(H)	DRAWING NO. DG632R-5.0-E01 /PART NO.	SIZE A3 REV T5 09/02/10*
DO NOT SCALE DRAWING			SHEET 1	OF 1