

Data sheet

Commercial Art.No.: 78.012.1053.0

Modular insert FLE STC 10 25

Modular connector system 10 pole male insert, 250V/10A, crimp connection, turned contacts/ POF



Commercial Art.No.	78.012.1053.0
EAN	4015573445994
Order Unit	10

Certificates / Approvals



Technical data

General

Model	Pin insert
Inflammability class of insulation material acc. with UL94	V0
Color	Grey
Mating cycles	500
Pollution degree	3
Modular version	yes
Operating temperature range min.	-40 °C
Operating temperature range max.	120 °C

Connection Data

Connection type	Crimp
Number of poles	10
Plus switching contacts	0
Number of pole for rated current 2	0
Number of pole for rated current 3	0
Total number of poles (without ground contact)	10
With wire protection	No
Protective contact	No

Technical Data UL/CSA

Rated voltage according to UL/CSA	240 V
Rated current according UL	10 A

Rated current according CSA	10 A
Min. conductor cross section flexible wire	0.14 mm ²
Max. conductor cross section flexible wire	2.5 mm ²
Conductor cross section flexible AWG wire	26-14 AWG

Model

With housing	No
--------------	----

Contacts

Contact material	See contacts
Surface	Silver-plated
Contact resistance	≤ 5 mOhm
Wire strip length	8 mm

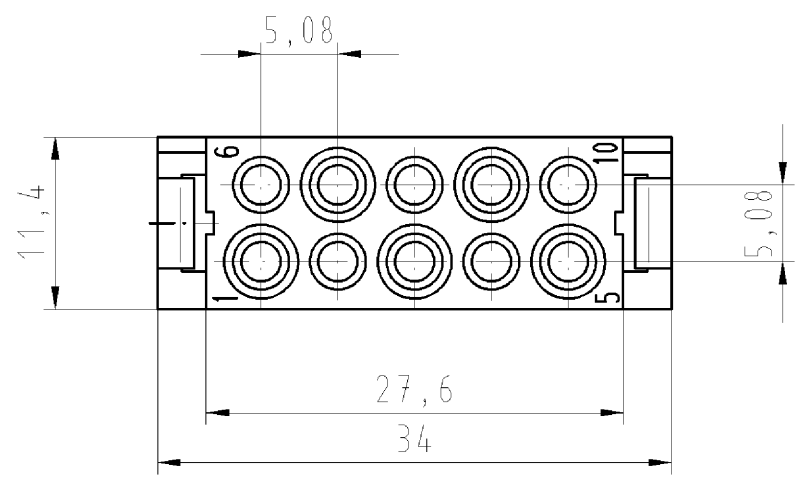
Technical Data DIN EN 61984

Nominal voltage	250 V
Rated voltage face/ground	250 V
Nominal current	10 A
Rated impulse voltage	4 kV

Classification

ECLASS 11	
ECLASS 8.1	27440205
ETIM 7.0	EC000438
ETIM 6.0	EC000438
ETIM 5.0	EC000438
ETIM 4.0	EC000438
ETIM 3.0	EC000438

A

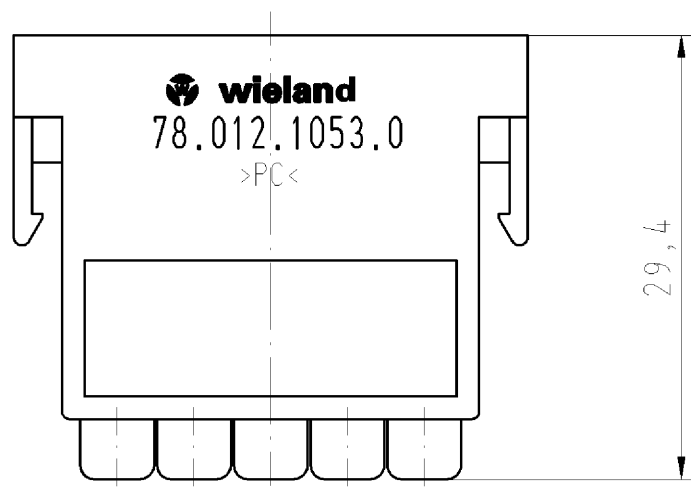


B

These dimensions will be especially checked at delivery
 Only inspection dimensions
 With /E marked dimensions are only valid for internal use

C

Diese Maße werden bei Abnahme besonders geprüft
 Ausschließlich Prüfmaße
 Mit /E gekennzeichnete Maße sind nur für interne Zwecke gültig



D

E

Weitere Daten siehe Katalog
 further data see catalog

Tolerierung nach DIN 7167/Tolerance system acc. to DIN 7167.
 (This DIN-standard describes the envelope principle. According to the envelope principle the deviations of form and parallelism are limited by the size tolerances).
 ja/yes Stoffverbots- und Deklarationsliste nach UU-TQM-05/03 ist einzuhalten.
 Conformity with Wieland document UU-TQM-05/03 (list of prohibited / declarable hazardous substances) to be declared!

Freitoleranz nach General tolerance CAD - Zeichnung, keine manuellen Änderungen CAD - drawing, no manual modifications allowed 1.Verwendung: First Use: Blatt: 1 von 1 Sheet: 1 of 1

	/		Werkstoff/Material	2006	Tag/Date	Name	Zeichnung Nr./Drawing No.	Index	
	/			gezeichnet drawn	19.09.	Treschan			
	/			geprüft checked	-	-			
	/	Maßstab/Scale		Normgepr. Stand. check	-	-	78.012.1053.0 01K		
	/	1:1							
	/	Vol.	mm ³	Offl./Surf.	mm ²	Ersatz für/Replacement for: -			
	/		wieland	Type	Benennung/Tittle				
Index	Datum / Blatt Date / Sheet			MODULE INSATZ_STECKER					
Änderung/Revision		Elektrische Verbindungen		module insert - plug					
				10-polig / 10 pole					

F

1
2
3
4
5
6
7
8
9
10
11
12
13
14
15
16
17
18
19
20
M1
M2
M3
L
G
i
11.1
12.1
1.1

Weitergabe sowie Vervielfältigung dieses Dokuments, Verwertung und Mitteilung seines Inhalts sind verboten, soweit nicht ausdrücklich gestattet. Die Reproduktion, Distribution und Utilization of this document as well as the communication of its contents to others without express authorization is prohibited.