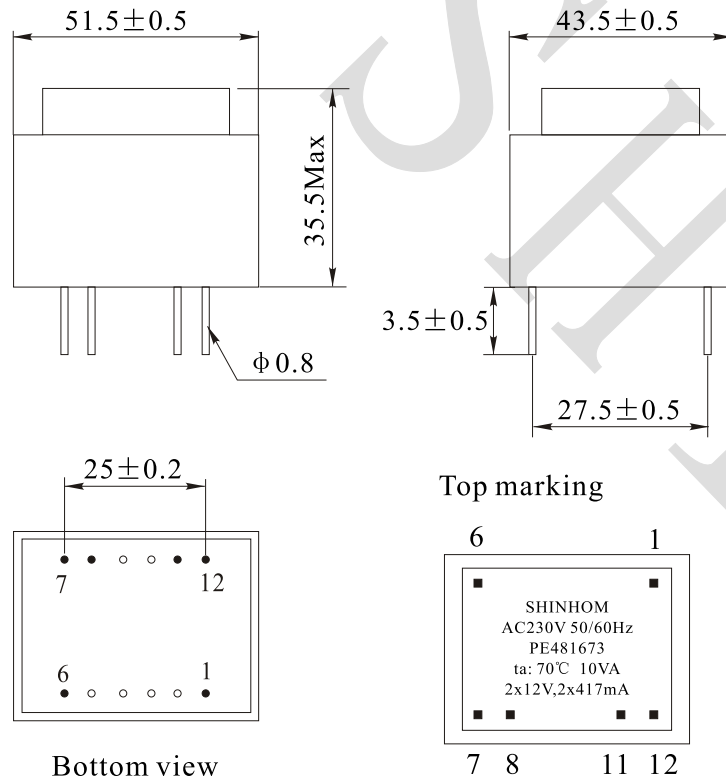


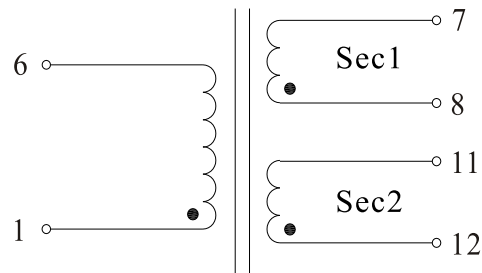
Rev.	Description	Date
A0	New release	2022.09.06

### 1. PHYSICAL CHARACTERISTICS (mm)



Bottom view

### 2. ELECTRONICAL SCHEMATIC



### 3. ELECTRONICAL SPECIFICATIONS

- Pri voltage: 230V, 50Hz
- Load voltage: Sec1: 12.0V ± 0.5V @ 417mA  
Sec2: 12.0V ± 0.5V @ 417mA
- No-load voltage: Sec1: 15V ± 5%  
Sec2: 15V ± 5%
- Output Power: 10VA
- Hi-Pot: 4000V, 50Hz, 1mA, 10S Pri to Sec

#### Note:

1. Solderability: leads shall meet MIL-STD-202, Method 208D for solderability.
2. Flammability: UL94V-0
3. ASTM oxygen index: >28%

NAME:	Potting Transformer		
CUSTOMER P/N:		DATE:	2022-09-06
SHINHOM P/N:	PE481673	REV: A0	PAGE
DRAWN BY	CHECKED BY	APPROVE BY	



**SHINHOM**  
SHAANXISHINHOM ENTERPRISE CO LTD

The Document property belongs to SHINHOM & is not allowed to be duplicated without authorization