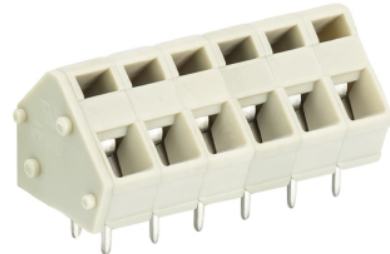


Data sheet

Commercial Art.No.: 27.007.3253.0

Printed circuit board terminal 8191 FK / 2

PCB terminal, 2 poles, printed version, with solder pin (3.5mm), pitch:5 mm, type of packing: carton, color: grey



Commercial Art.No.	27.007.3253.0
EAN	4015573873568
Order Unit	100

Certificates / Approvals



Technical data

General

Modular spacing	5 mm
Connection type	spring clamp connection
Soldering process	Wave soldering
Conductor to circuit board	180°
Number of levels	1
Integrated test socket	No
Insulation plate	yes
Retaining pins	No
Marking	yes

Technical data

Nominal cross section	2.5 mm ²
Rated current	16 A
Overvoltage Category I	1000 V
Overvoltage Category II	690 V
Overvoltage Category III	250 V
Rated impulse voltage	4 kV
Wire strip length	6 mm

Connection Data

Minimum cross section solid	0.08 mm ²
Maximum cross section solid	2.5 mm ²
Minimum cross section fine stranded	0.08 mm ²
Maximum cross section fine stranded	2.5 mm ²
Wire strip length	6 mm

Technical Data UL/CSA

Cross section UL

28-12 AWG

Voltage UL	300 V
Current field wiring	15 A
Current factory wiring	15 A
Cross section CSA	28-12 AWG
Voltage CSA	300 V
Current CSA	15 A

Other

Type of insulation material	Thermoplastic
Color	Grey
Height	13 mm
Depth	14 mm
Material attachment screw	None
Material contact base	E-Cu
Material contact surface	Sn

Classification

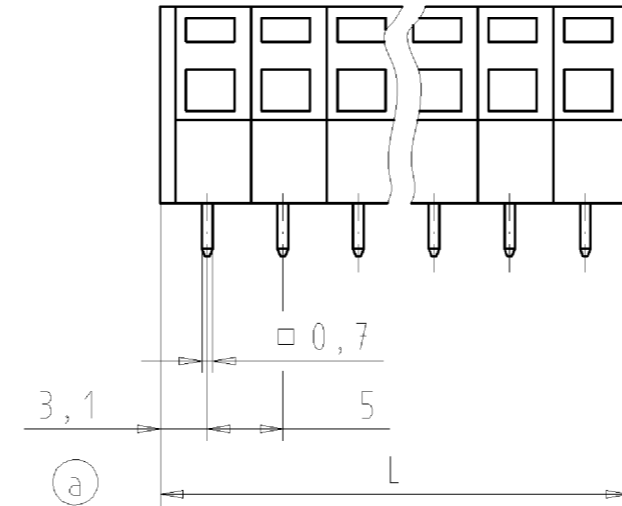
ECLASS 11	
ECLASS 8.1	27440401
ETIM 7.0	EC002643
ETIM 6.0	EC002643
ETIM 5.0	EC002643
ETIM 4.0	EC002643

Product compliance

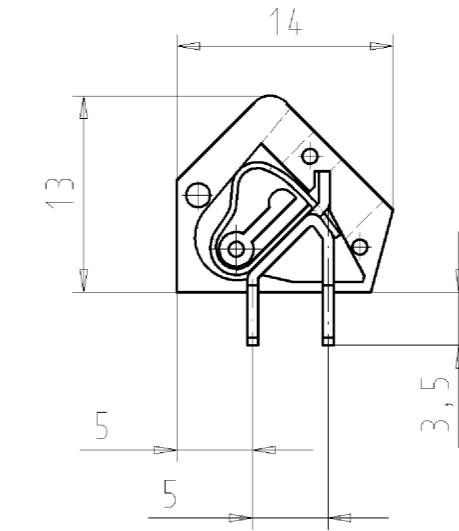
ROHS conformity status	Compliant
REACH-SVHC conformity status	Compliant

Technische Daten
Technical Data

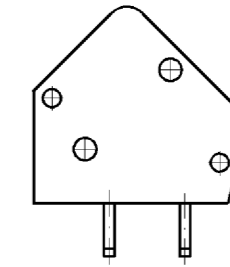
	VDE	UL	CSA
Bemessungsspannung V rated voltage	250	300	300
Bemessungsstrom A rated current	16	15	15
Anschlußbereich max. mm ² /AWG connection range	0,08-2,5	28-12	28-12
Brennbarkeitsklasse flamability rating	UL 94-V0		
Isoliermaterial insulating material	PA 66 Farbe: grau ähnl. RAL 7032 PA 66 colour: grey sim. to RAL 7032		
Kontaktbasismaterial contact basis material	E-Cu 57		
Kontaktberfläche contact surface	Ni3 Sn5		
Kontaktfeder contact spring	Ergste 1.4310 FD		
Verschmutzungsgrad 3/Überspannungskategorie III pollution degree 3/overvoltage category III			



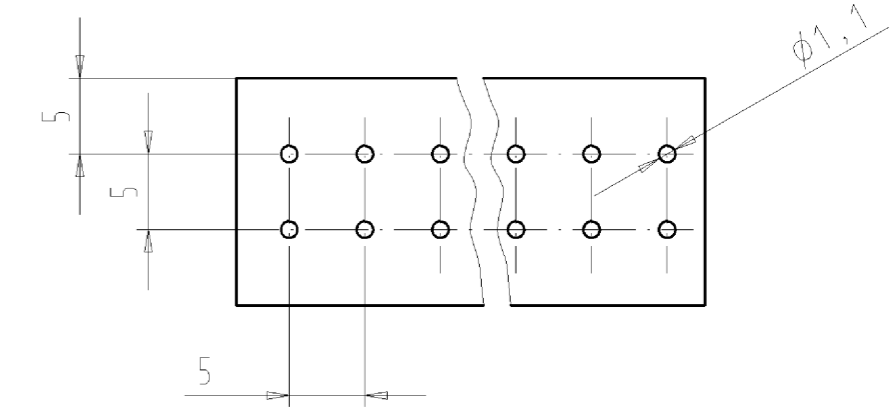
Ansicht ohne Abschlussplatte
view without end plate



Ansicht: Abschlussplatte
view: end plate



Lochbild
PCB layout



Teile-Nr. part-no.	Typ type	Polzahl poles	L
27.007.3253.0	8191 FK/ 2	2	11
27.007.3353.0	8191 FK/ 3	3	16
27.007.3453.0	8191 FK/ 4	4	21
27.007.3553.0	8191 FK/ 5	5	26
27.007.3653.0	8191 FK/ 6	6	31
27.007.3753.0	8191 FK/ 7	7	36
27.007.3853.0	8191 FK/ 8	8	41
27.007.3953.0	8191 FK/ 9	9	46
27.007.4053.0	8191 FK/10	10	51
27.007.4153.0	8191 FK/11	11	56
27.007.4253.0	8191 FK/12	12	61
27.007.4353.0	8191 FK/13	13	66
27.007.4453.0	8191 FK/14	14	71
27.007.4553.0	8191 FK/15	15	76
27.007.4653.0	8191 FK/16	16	81
27.007.4753.0	8191 FK/17	17	86
27.007.4853.0	8191 FK/18	18	91
27.007.4953.0	8191 FK/19	19	96
27.007.5053.0	8191 FK/20	20	101
27.007.5153.0	8191 FK/21	21	106
27.007.5253.0	8191 FK/22	22	111
27.007.5353.0	8191 FK/23	23	116
27.007.5453.0	8191 FK/24	24	121

Weitere Daten siehe Katalog
further data see catalog

Tolerierung nach DIN 7167/Tolerance system acc. to DIN 7167. (This DIN-standard describes the envelope principle. According to the envelope principle the deviations of form and parallelism are limited by the size tolerances).		ja/yes <input type="checkbox"/> Stoffverfalls- und Deklarationsliste nach UU-TQM-05/03 ist einzuhalten. Conformity with Wieland document UU-TQM-05/03 (list of prohibited / declarable hazardous substances) to be declared!	
Freitoleranz nach General tolerance		CAD - Zeichnung, keine manuellen Änderungen EAD - drawing, no manual modifications allowed	
1. Verwendung: -		Blatt: 1 von 1 Sheet: 1 of 1	
Werkstoff/Material siehe Tabelle see table		2005 gezeichnet drawn 01.12. geprüft checked - Werkzeug- Stand. check	Tag/Date Name Dutsch T.
Maßstab/Scale		T Zeichnung Nr./Drawing No. 27.007.3253.0 01K a	
Val. mm Dtl./Surf. mm		Ersatz für/Replacement for: -	
wieland Elektrische Verbindungen		Type 8191 FK/...	
Index Änderung/Revision		Benennung/Title LP_KLEMM PCP terminal Rastermaß 5 pitch 5	

Weitergabe sowie Vervielfältigung dieses Dokuments, Verwertung und Mitteilung seines Inhalts sind verboten, soweit nicht ausdrücklich gestattet.
The reproduction, distribution and utilization of this document as well as the communication of its contents to others without express authorization is prohibited.

Z:\2007\325301K_4_CAD\10145_drehbohr2006-10-31\T084625 1:000