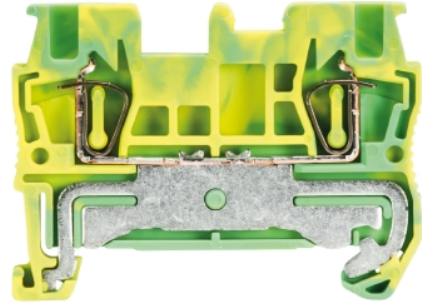


Data sheet

Commercial Art.No.: 56.702.9053.0

Earth terminal WKF 1,5 SL/35

Ground terminal with tension spring connection for mounting on TS 35, nominal cross section: 1.5 mm², width: 4.15 mm, color: Green-yellow



Commercial Art.No.	56.702.9053.0
EAN	4015573731776
Order Unit	50

Certificates / Approvals



ATEX

Technical data

General

Nominal cross section	1.5 mm ²
Color	Green/yellow
Number of levels	1
Number of clamp positions per level	2
Width/grid dimension	4.15 mm
Insulating housing	PA666
Inflammability class of insulation material acc. with UL94	V0
Explosion-tested version "Ex e"	yes
Mounting method	DIN rail (top hat rail) 35/7.5 mm
Terminal blocks for electrical installations	yes

Technical data

Rated voltage	500 V
Rated impulse voltage	6 kV
Pollution degree	3
Closing plate required	yes
Type of insulation material	Thermoplastic
Length	48.6 mm

Connection Data

Connection type 1	spring clamp connection
Connection type 2	spring clamp connection
Minimum cross section solid	0.08 mm ²
Maximum cross section solid	1.5 mm ²
Minimum cross section fine stranded	0.08 mm ²

Maximum cross section fine stranded	1.5 mm ²
Wire strip length	10 mm

Technical Data UL/CSA

Cross section UL	26-14 AWG
Voltage UL	300 V
Cross section CSA	26-14 AWG
Voltage CSA	300 V

Classification

ECLASS 11	
ECLASS 8.1	27141141
ETIM 7.0	EC000901
ETIM 6.0	EC000901
ETIM 5.0	EC000901
ETIM 4.0	EC000901
ETIM 3.0	EC000901

Product compliance

ROHS conformity status	Compliant
REACH-SVHC conformity status	Compliant

Accessories

Commercial Art.No.:	Article-type description:	Description:
98.300.0000.0	Mounting rail TS 35x7,5 UNPERF - l:2000mm	Mounting rail TS 35, unslotted, size 7,5 mm, length 2 m, material steel. galv. zinc-plated and dichromated
98.300.1000.0	Mounting rail TS 35x7,5 PERF 15mm - l:2000mm	Mounting rail TS 35, slotted, size 7,5 mm, length 2 m, material steel. galv. zinc-plated and dichromated
98.300.1900.0	Mounting rail TS 35x7,5 PERF 25mm - l:2000mm	Mounting rail TS 35, slotted, size 7,5 mm, length 2 m, material steel. galv. zinc-plated and dichromated
98.360.0000.0	Mounting rail TS 35x15-2,3 UNPERF - l:2000mm	Mounting rail TS 35, unslotted, size 15 mm, length 2 m, material steel. galv. zinc-plated and dichromated
98.360.0004.0	Mounting rail TS 35x15-2,3 UNPERF FZN - l:2000mm	Mounting rail TS 35, unslotted, size 15 mm, length 2 m, material steel, hot galvanized
98.370.0000.0	Mounting rail TS 35x15 UNPERF - l:2000mm	Mounting rail TS 35, unslotted, size 15 mm, length 2 m, material steel. galv. zinc-plated and dichromated
98.370.1000.0	Mounting rail TS 35x15 PERF 15mm - l:2000mm	Mounting rail TS 35, slotted, size 15 mm, length 2 m, material steel. galv. zinc-plated and dichromated
98.380.0000.0	Mounting rail TS 35x15-2,3 UNPERF CU - l:2000mm	Mounting rail TS 35, unslotted, size 15 mm, length 2 m, material E copper
07.312.8153.0	End plate APF 1,5	End plate for DIN rail terminal blocks type WKF 1,5..., color: grey
07.312.8253.0	Partition TWF 1,5	Partition for DIN rail terminal blocks type WKF 1,5..., color: grey
Z4.243.2053.0	Marking tag plate BZ/WKF 1,5/10	plate with marking tags for DIN rail terminal blocks type WKF 1,5, unmarked, markable with Wieprint printing-system
04.243.2053.0	Marking tag strips BZ/WKF 1,5	Marking tag strips for DIN rail terminal blocks type WKF 1,5, 10 tags per strip, color: blue, unmarked, markable with Wieplot plotter-system
Z7.268.0227.0	Jumper bar IVB WKF 1,5- 2	Cross connector, insulated for DIN rail terminal blocks type WKF..., 2 - pole
Z7.268.0327.0	Jumper bar IVB WKF 1,5- 3	Cross connector, insulated for DIN rail terminal blocks type WKF..., 3 - pole

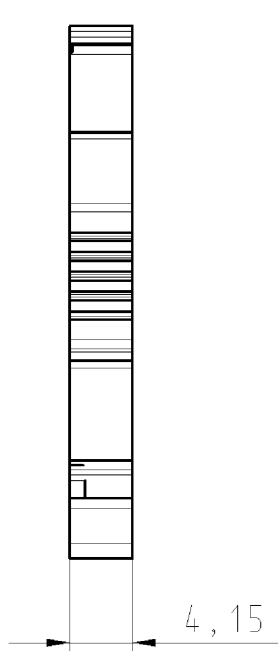
Z7.268.0427.0	Jumper bar IVB WKF 1,5- 4	Cross connector, insulated for DIN rail terminal blocks type WKF..., 4 - pole
Z7.268.0527.0	Jumper bar IVB WKF 1,5- 5	Cross connector, insulated for DIN rail terminal blocks type WKF..., 5 - pole
Z7.268.1027.0	Jumper bar IVB WKF 1,5- 10	Cross connector, insulated for DIN rail terminal blocks type WKF..., 10- pole
Z7.268.2027.0	Jumper bar IVB WKF 1,5- 20	Cross connector, insulated for DIN rail terminal blocks type WKF..., 20- pole
98.300.1800.0	Mounting rail TS 35x7,5 PERF 18mm - l:2000mm	Mounting rail TS 35, slotted, size 7,5 mm, length 2 m, material steel. galv. zinc-plated and dichromated



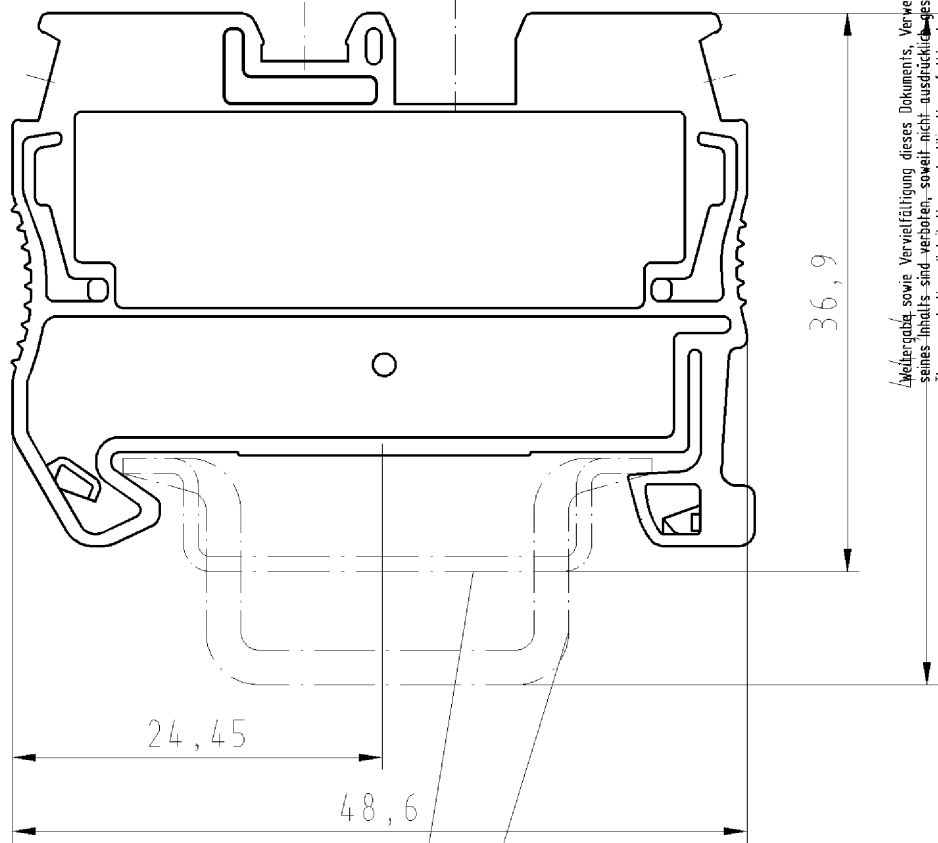
Diese Maße werden bei Abnahme besonders geprüft
Ausschließlich Prüfmaße



Mit /E gekennzeichnete Maße sind nur für interne Zwecke gültig



4,15



Hutschiene EN 60715-35x7,5
mounting rail EN 60715-35x7,5

Hutschiene EN 60715-35x15
mounting rail EN 60715-35x15

Weitere Daten siehe Katalog
further data see catalog

Teile-Nr./part-nr.	Typ/type	Farbe/colour
56.702.9053.0	WKf 1,5/SL/35	grün-gelb/green-yellow

Weitergabe sowie Vervielfältigung dieses Dokuments, Verwertung und Mitteilung
 seines Inhalts sind verboten, soweit nicht ausdrücklich gestattet.
 The reproduction, distribution and utilization of this document as well as the
 communication of its contents to others without express authorization is prohibited.

Freitoleranz nach DIN		CAD - Zeichnung, keine manuellen Änderungen			1. Verwendung: -		Bl.: 1 von 1		
	/	Maßstab 2:1	Werkstoff und Oberfläche:	2004	Tag	Name	T	Zeichnung Nr. 56.702.9053.0 01K	Index
	/			Entworfen	28.01.	Schmitt J.			
	/			Gepüft	-	-			
	/			Normgepr.	-	-	Ersatz für: -		
Buchstabe	Datum / Blatt	 wieland Elektrische Verbindungen		Benennung					
Änderung				SCHUTZLEITERKLEMME Federkraftanschluß Earth terminal with spring clamp					

567029053001K_4 CADW100 Schmitt 2004-01-30T13:05:14 1.000